

2008

700 EFI TRV LE



ILLUSTRATED PARTS MANUAL



MODEL NUMBER A2008TBT4CUSQ (BLACK)

ARCTIC CAT[®]
MORE TO GO ON.[™]

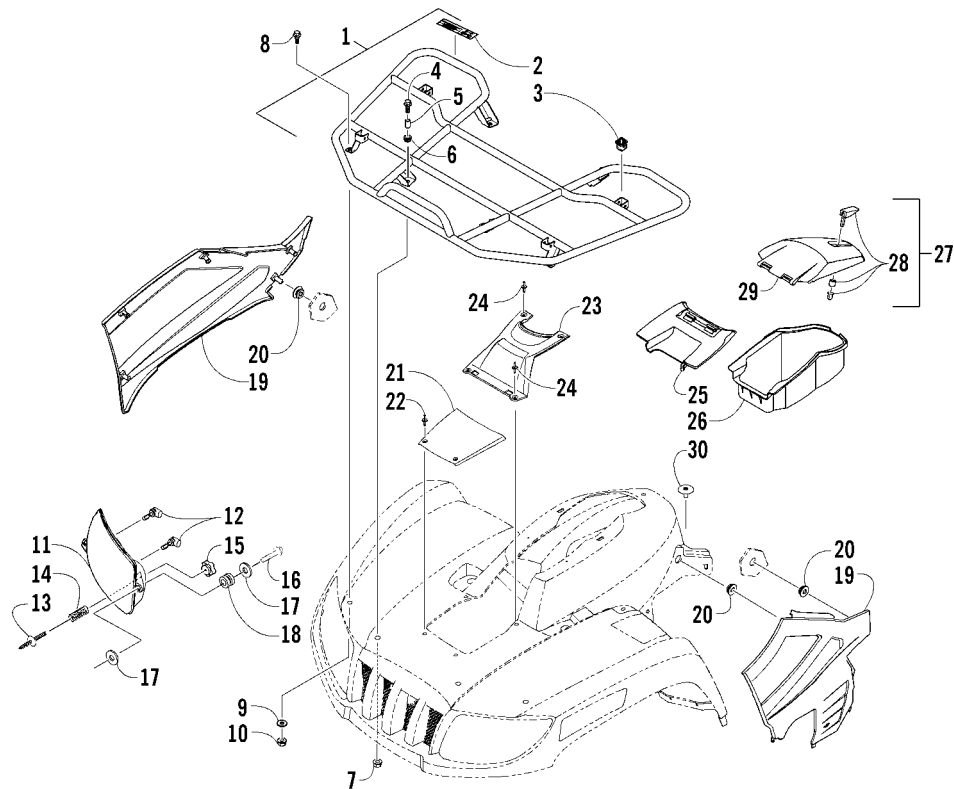
TABLE OF CONTENTS

2008 ATV 700 EFI TRV LE

Black (Model No. A2008TBT4CUSQ)

FRONT RACK AND HEADLIGHT ASSEMBLIES	1
REAR RACK AND FOOTWELL ASSEMBLIES	2
BODY PANELS AND DECALS	3
FRAME AND RELATED PARTS	4
WINCH ASSEMBLY	5
TAILLIGHT ASSEMBLY	6
SEAT AND BACKREST ASSEMBLY	7
STEERING POST ASSEMBLY	8
HANDLEBAR AND WINDSHIELD ASSEMBLY	9
FRONT SUSPENSION ASSEMBLY	10
REAR SUSPENSION ASSEMBLY	11
WHEEL AND TIRE ASSEMBLY	12
AUXILIARY BRAKE ASSEMBLY	13
HYDRAULIC HAND BRAKE ASSEMBLY	14
HYDRAULIC BRAKE ASSEMBLY	15
GAS TANK ASSEMBLY	16
SHIFT LEVER ASSEMBLY	17
AIR INTAKE ASSEMBLY	18
BATTERY ASSEMBLY	19
ENGINE AND EXHAUST	20
COOLING ASSEMBLY	21
CASE/BELT COOLING ASSEMBLY	22
DRIVE TRAIN ASSEMBLY	23
FRONT DRIVE GEARCASE ASSEMBLY	24
REAR DRIVE GEARCASE ASSEMBLY	25
WIRING HARNESS ASSEMBLY	26
CYLINDER HEAD COVER ASSEMBLY	27
CYLINDER HEAD ASSEMBLY	28
CYLINDER ASSEMBLY	29
CAMSHAFT/VALVE ASSEMBLY	30
CAM CHAIN ASSEMBLY	31
CRANKCASE ASSEMBLY	32
CLUTCH/V-BELT/MAGNETO COVER ASSEMBLY	33
CRANKSHAFT ASSEMBLY	34
CRANK BALANCER ASSEMBLY	35
STARTER CLUTCH ASSEMBLY	36
THROTTLE BODY ASSEMBLY	37
OIL FILTER/PUMP ASSEMBLY	38
WATER PUMP ASSEMBLY	39
TRANSMISSION ASSEMBLY	40
SECONDARY TRANSMISSION ASSEMBLY	41
SECONDARY DRIVE ASSEMBLY	42
GEAR SHIFTING ASSEMBLY	43
STARTER MOTOR ASSEMBLY	44
MAGNETO ASSEMBLY	45
CONTROL SWITCH HOUSING ASSEMBLY	46
THROTTLE CASE ASSEMBLY	47

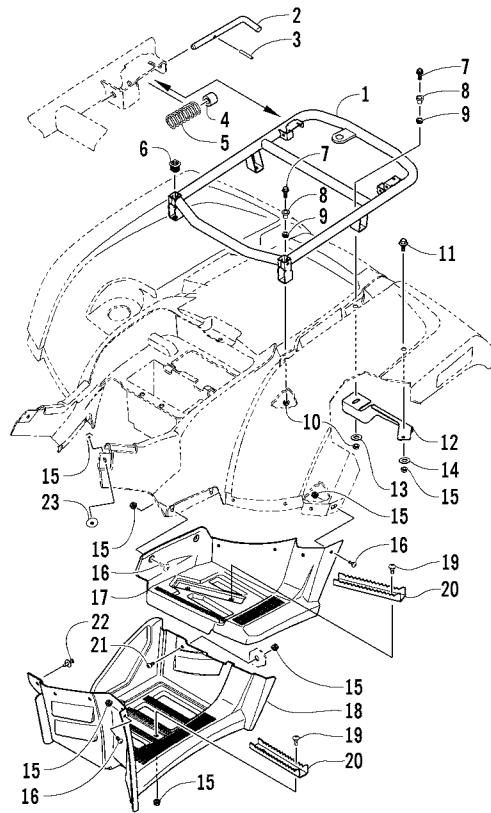
■ **NOTE:** The illustrations used in this Parts Manual are for reference to replacement part numbers only and are not to be used for assembly. For assembly procedures, use an Arctic Cat Service Manual. Underlined part numbers are new for the 2008 model year. For a complete list of related items, refer to the current accessory catalog.



FRONT RACK AND HEADLIGHT ASSEMBLIES

0742-796

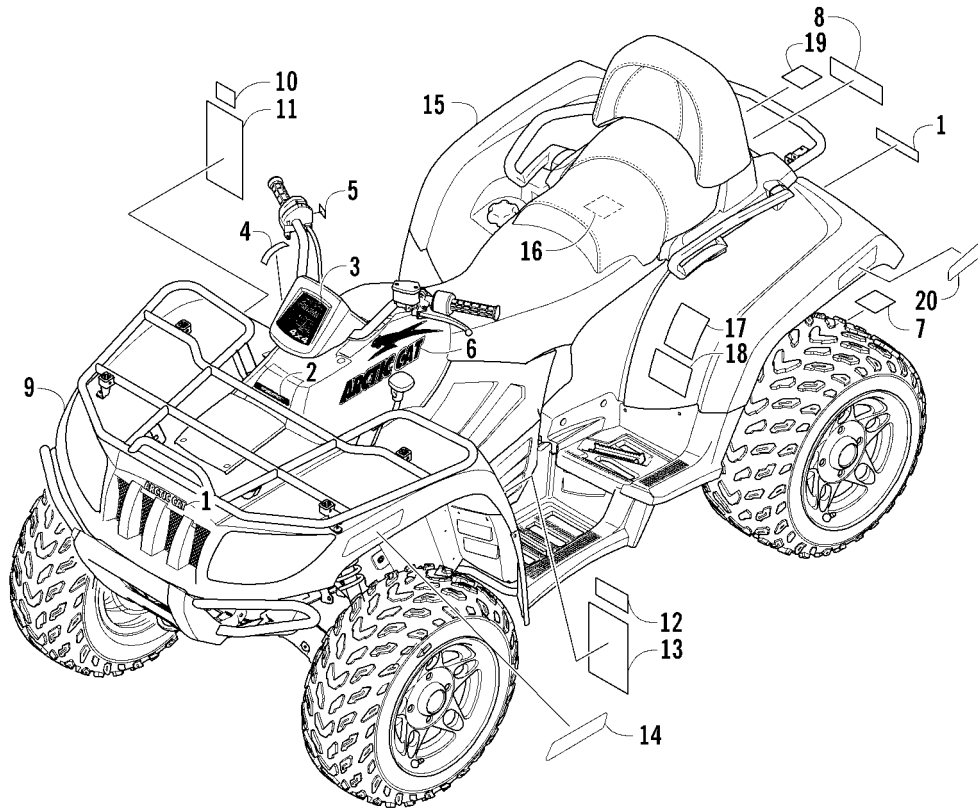
Ref.	Part No.	Qty.	Description	Ref.	Part No.	Qty.	Description
1	<u>2506-106</u>	1	Rack, Front - Assembly (inc. 2-3)	16	0623-785	4	Screw, Self-Tapping
2	0411-576	1	● Decal, Warning - Front Rack Load	17	8050-217	8	Washer
3	0441-592	4	● Bushing, Rack	18	0423-447	4	Grommet
4	8410-830	4	Screw, Cap	19	<u>2406-706</u>	1	Panel, Side - Lower - Right
5	0423-669	4	Spacer		<u>2406-707</u>	1	Panel, Side - Lower - Left
6	0423-465	4	Grommet	20	0423-678	8	Grommet
7	8432-802	4	Nut, Lock	21	1406-358	1	Cover, Access
8	0423-654	2	Screw, Shoulder	22	0423-535	2	Rivet, Reinstallable
9	8050-222	2	Washer	23	1406-484	1	Cover, Steering Post
10	0423-540	2	Nut, Lock	24	0623-362	4	Rivet, Reinstallable
11	0509-034	1	Headlight Assembly - Right (inc. 12)	25	0470-513	1	Cover, Storage Box
	0509-035	1	Headlight Assembly - Left (inc. 12)	26	1406-573	1	Box, Storage
12	0409-055	4	● Bulb, Headlight	27	2506-234	1	Lid, Storage Box w/Latch (inc. 28-29)
13	0423-514	2	Stud, Adjuster - Headlight	28	1406-599	1	● Latch, Storage Box
14	0423-522	2	Spring, Adjuster	29	0470-514	1	● Lid, Storage Box
15	0423-513	2	Knob, Adjuster	30	0423-101	2	Screw, Body



REAR RACK AND FOOTWELL ASSEMBLIES

0742-537

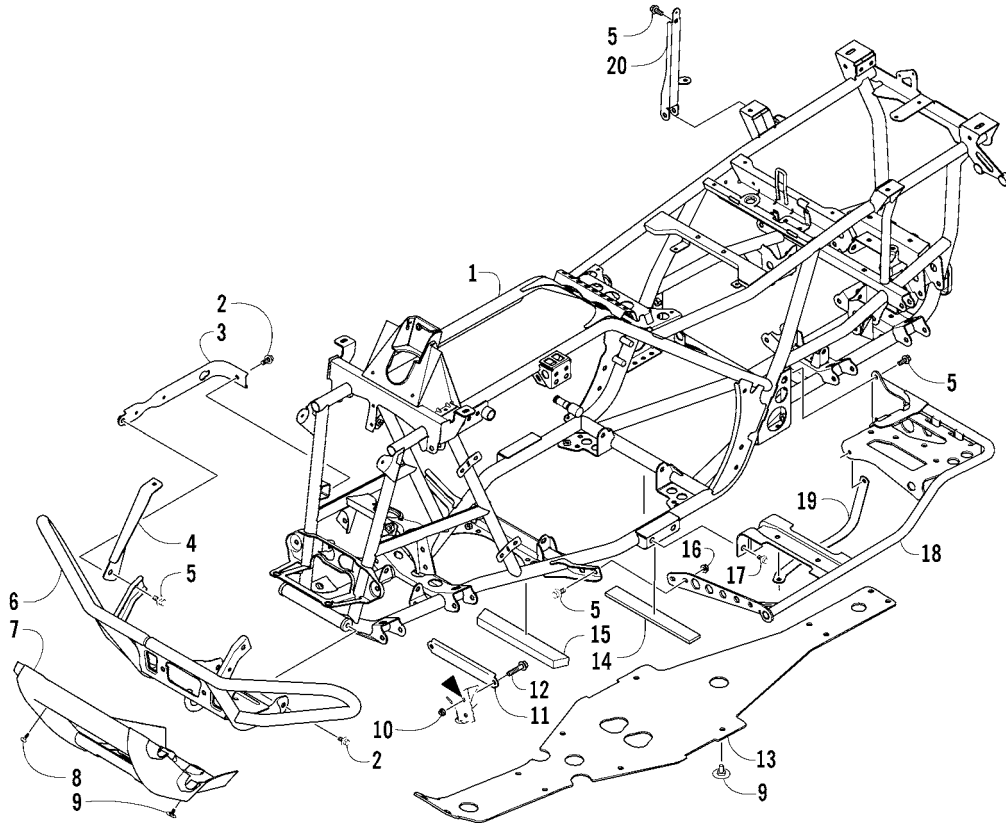
Ref.	Part No.	Qty.	Description	Ref.	Part No.	Qty.	Description
1	2506-221	1	Rack, Rear - Assembly (inc. 2-6)	13	0423-087	2	Washer
2	0541-504	2	● Pin - Assembly (inc. 3-5)	14	8050-222	2	Washer
3	0423-635	2	●● Pin, Roll	15	0423-540	34	Nut, Lock
4	0423-677	2	●● Collar	16	0423-419	20	Screw, Machine
5	0423-636	2	●● Spring	17	2406-042	1	Footwell, Rear - Right
6	0441-592	4	● Bushing, Rack		2406-043	1	Footwell, Rear - Left
7	8410-835	4	Screw, Cap	18	1506-813	1	Footwell - Right
8	0423-669	4	Spacer		2406-471	1	Footwell - Left
9	0423-465	4	Grommet	19	0423-355	8	Screw, Shoulder
10	8432-802	4	Nut, Lock	20	1506-125	4	Footpeg
11	0423-654	2	Screw, Shoulder	21	8477-620	2	Screw, Machine
12	2506-092	1	Bracket, Rear Fender - Right	22	0623-362	2	Rivet, Reinstallable
	2506-093	1	Bracket, Rear Fender - Left	23	0423-101	2	Screw, Body



BODY PANELS AND DECALS

0742-693

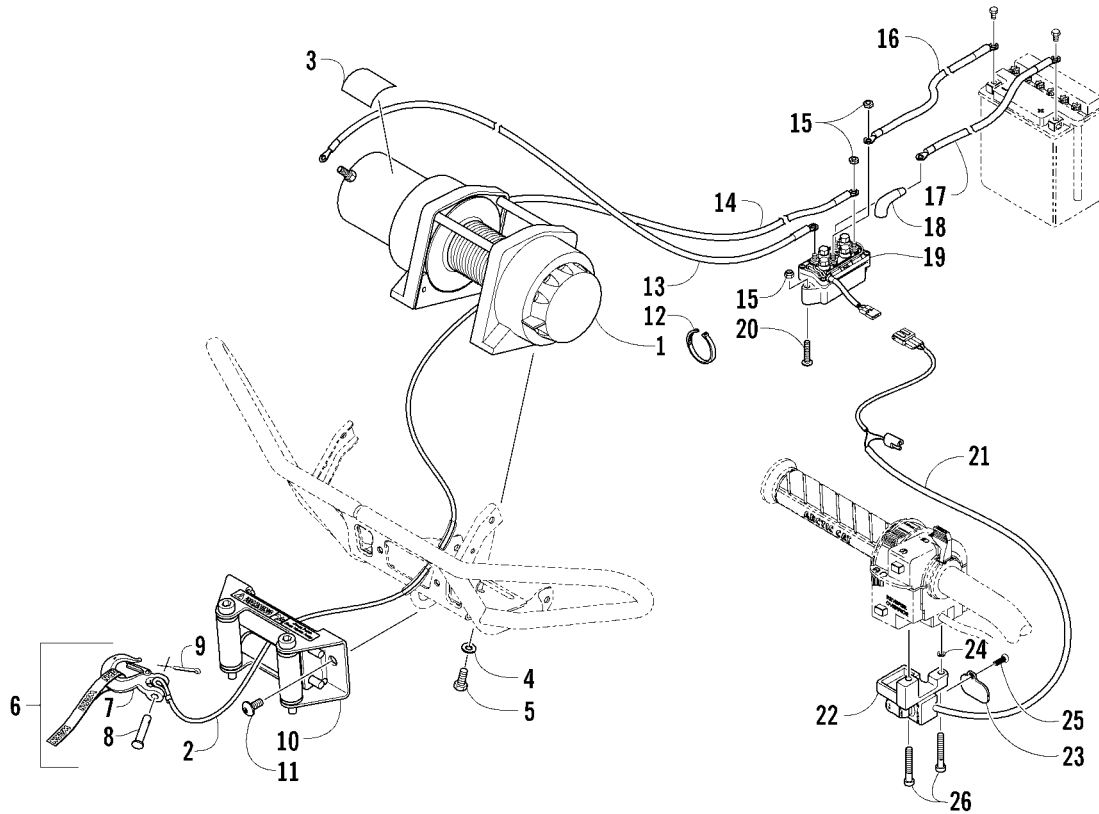
Ref.	Part No.	Qty.	Description	Ref.	Part No.	Qty.	Description
1	<u>1411-725</u>	2	Decal, Front/Rear	12	1411-574	1	● Decal, Warning - Off-Road Only
2	1411-050	1	Decal, "Speedrack"	13	0411-753	1	● Decal, Warning - Age/General
3	<u>1411-570</u>	1	Decal, Instrument Pod	14	0411-818	1	● Decal, Reflector - Front - Right
4	0411-426	1	Decal, Warning - Clutch Cover	15	0411-819	1	● Decal, Reflector - Front - Left
5	0411-966	1	Decal, Warning - Differential Lock	16	<u>2506-711</u>	1	Panel, Fender - Rear (inc. 16-20 and one No. 1)
6	<u>1411-634</u>	1	Decal, Side - Upper Right	17	1411-269	1	● Decal, Warning - Passenger
	<u>1411-635</u>	1	Decal, Side - Upper Left	18	0411-833	1	● Decal, Passenger
7	1411-077	1	Decal, Warning - Towing	19	0411-832	1	● Decal, Warning - Tire Pressure
8	0411-814	1	Decal, "Arctic Cat" - White	20	1411-251	1	● Decal, Warning - Seat/Passenger
9	<u>2506-321</u>	1	Panel, Fender - Front (inc. 10-14)		1411-592	1	● Decal, Reflector - Rear - Right
10	0411-666	1	● Decal, Warning - Reverse/Pre-Ride		1411-593	1	● Decal, Reflector - Rear - Left
11	0411-894	1	● Decal, Warning - Hill				



FRAME AND RELATED PARTS

0742-694

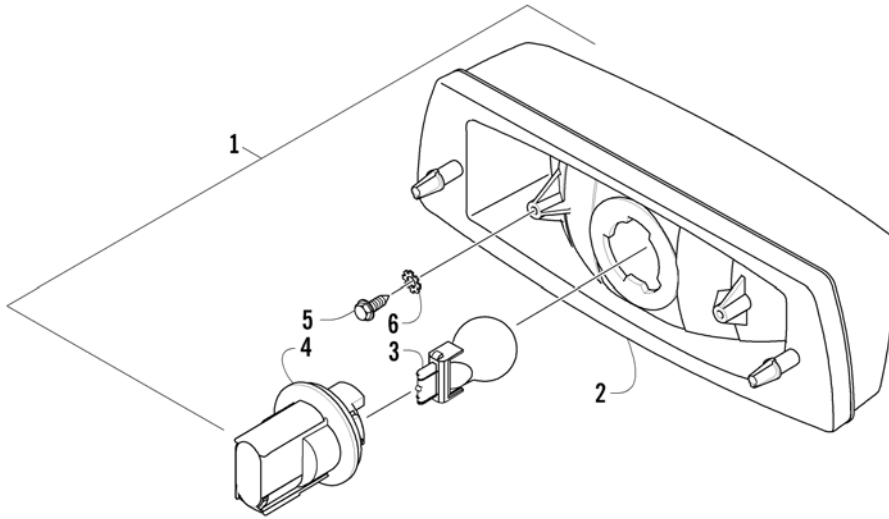
Ref.	Part No.	Qty.	Description	Ref.	Part No.	Qty.	Description
1	<u>2506-737</u>	1	Frame, Main	11	1506-429	1	Brace, A-Arm
2	8409-020	4	Screw, Cap	12	8409-025	2	Screw, Cap
3	1506-596	1	Channel, Bumper Mounting - Right	13	<u>2406-701</u>	1	Panel, Belly
	0506-653	1	Channel, Bumper Mounting - Left	14	0406-289	1	Pad, Frame
4	1506-562	1	Bracket, Mounting - Bumper - Right	15	1506-981	1	Foam, Frame
	1506-563	1	Bracket, Mounting - Bumper - Left	16	8424-802	4	Nut, Flange
5	8408-816	11	Screw, Cap	17	8409-016	4	Screw, Cap
6	1506-855	1	Bumper	18	1506-848	1	Footrest - Right
7	1406-360	1	Fascia, Bumper		1506-849	1	Footrest - Left
8	0423-419	2	Screw, Machine	19	2406-216	1	Strap, Footrest - Right
9	0423-101	14	Screw, Body		2406-217	1	Strap, Footrest - Left
10	8428-002	2	Nut, Lock	20	<u>2506-447</u>	1	Bracket, Gas Tank



WINCH ASSEMBLY

0742-753

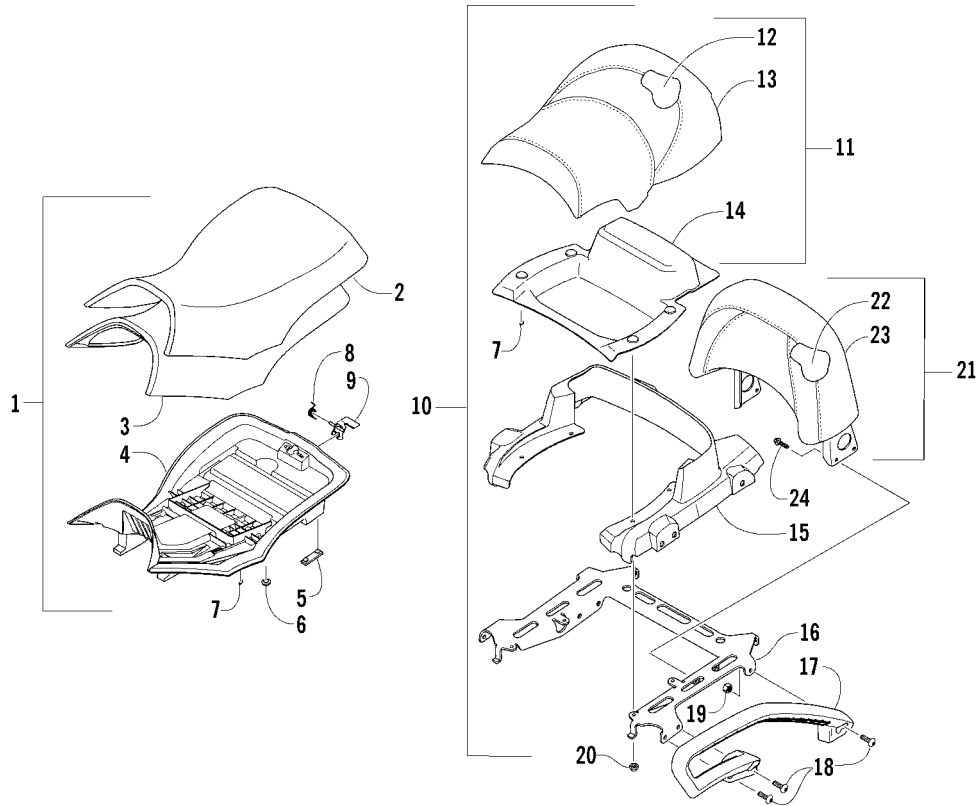
Ref.	Part No.	Qty.	Description	Ref.	Part No.	Qty.	Description
1	<u>1441-704</u>	1	Winch (inc. 2-3)	14	<u>0445-069</u>	1	Cable, Winch/Solenoid - Blue
2	0441-061	1	● Cable, Winch	15	0623-038	8	Nut w/Washer
3	<u>1411-826</u>	1	● Decal, Warning	16	1441-112	1	Cable, Solenoid/Battery - Black
4	8051-246	4	Washer, Lock	17	1441-113	1	Cable, Solenoid/Battery - Red
5	8408-820	4	Screw, Cap	18	0441-060	3	Boot, Terminal
6	0441-426	1	Hook, Winch w/Strap - Assembly (inc. 7-9)	19	0409-066	1	Solenoid
7	1441-131	1	● Hook, Winch w/Strap	20	8476-625	2	Screw, Machine
8	1441-130	1	● Pin	21	<u>0409-087</u>	1	Switch, Control
9	1441-129	1	● Cotter Pin	22	0409-034	1	Holder, Control Switch
10	0441-403	1	Roller, Winch	23	<u>0409-106</u>	1	Cover, Switch
11	8468-820	2	Screw, Machine	24	0423-593	1	Washer
12	0123-788	AR	Cable Tie - 7.5 in.	25	0423-382	1	Screw, Self-Tapping
13	<u>0445-068</u>	1	Cable, Winch/Solenoid - Yellow	26	8464-560	2	Screw, Machine



TAILLIGHT ASSEMBLY

0739-667

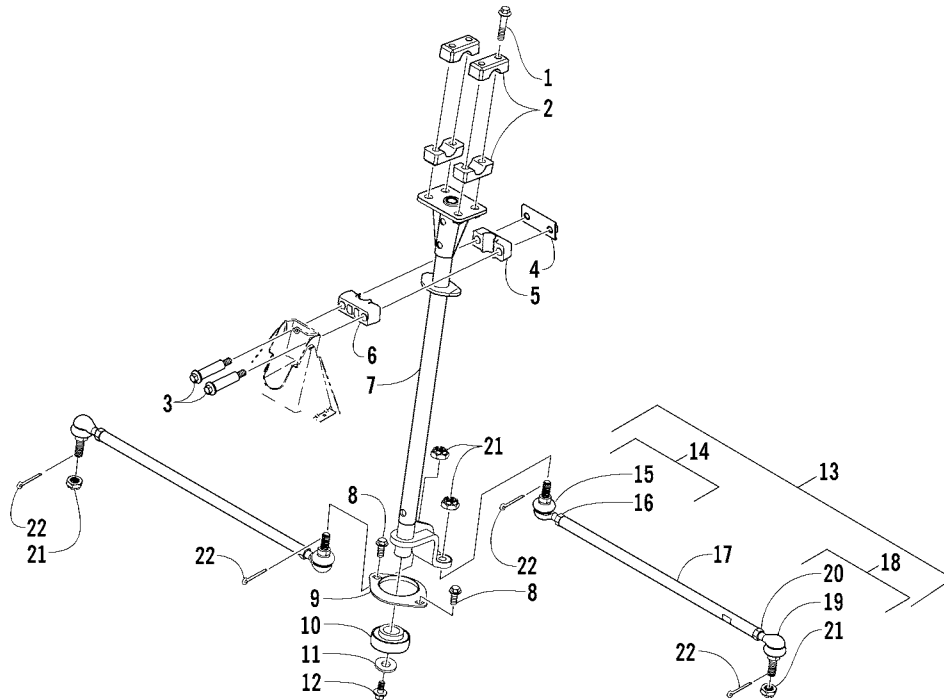
Ref.	Part No.	Qty.	Description	Ref.	Part No.	Qty.	Description
1	0509-022	1	Taillight Assembly (inc. 2-4)	4	0409-057	1	● Socket, Taillight
2	0509-025	1	● Housing, Taillight	5	0623-301	2	Screw, Self-Tapping
3	0409-056	1	● Bulb, Taillight	6	8053-212	2	Washer, Lock - External Tooth



SEAT AND BACKREST ASSEMBLY

0740-930

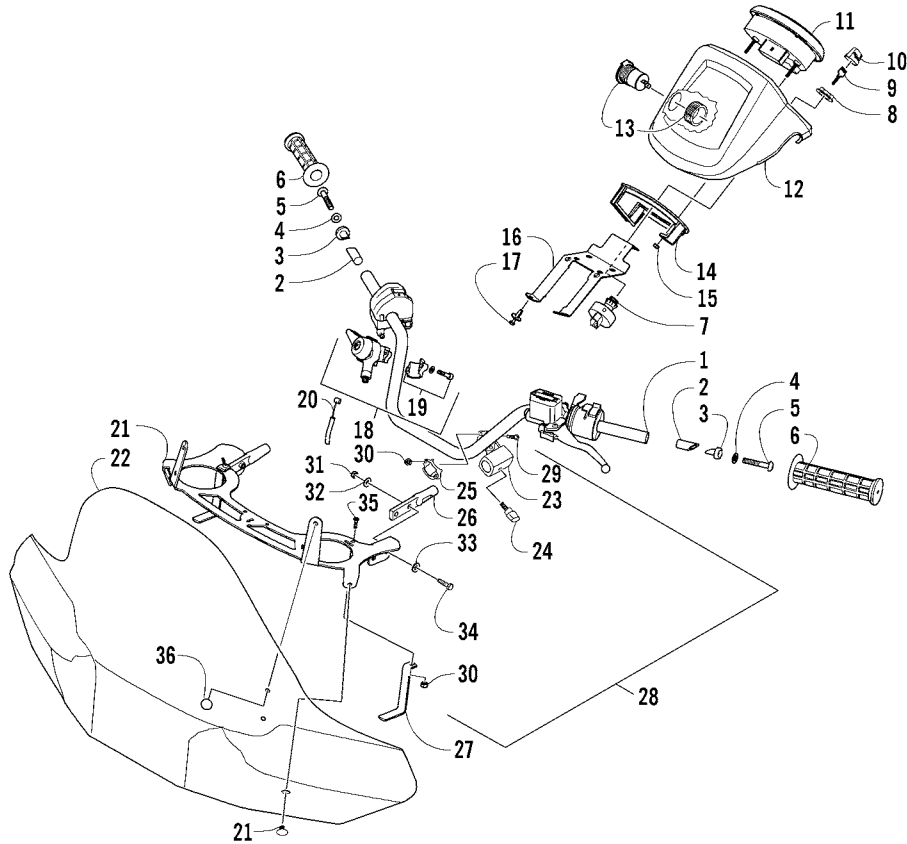
Ref.	Part No.	Qty.	Description	Ref.	Part No.	Qty.	Description
1	1506-937	1	Seat Assembly (inc. 2-9)	13	1506-815	1	●● Cover, Seat - Passenger
2	1506-209	1	● Cover, Seat	14	2406-110	1	●● Base, Seat - Inner
3	1506-208	1	● Foam, Seat	15	2406-044	1	● Base, Seat - Passenger
4	2406-144	1	● Base, Seat - Assembly (inc. 5-6)	16	1506-932	1	● Bracket, Seat Support - Assembly
5	0406-879	2	●● Bumper, Seat - Rear	17	2406-112	1	● Handhold, Passenger - Right
6	0406-877	4	●● Bumper, Seat - Front		2406-113	1	● Handhold, Passenger - Left
7	0624-528	AR	● Staple	18	0423-362	6	● Screw
8	1406-592	1	● Spring, Seat Latch	19	8432-802	6	● Nut, Hex
9	1506-156	1	● Latch, Seat	20	0624-250	4	● Nut, Lock
10	1506-938	1	Seat, Passenger - Assembly (inc. 11-20)	21	1506-939	1	Backrest Assembly (inc. 22-23)
11	2506-064	1	● Seat, Passenger - Sub-Assembly (inc. 7 and 12-14)	22	1506-818	1	● Foam, Backrest
12	1506-816	1	●● Foam, Seat - Passenger	23	1506-817	1	● Cover, Backrest
				24	8408-816	4	Screw



STEERING POST ASSEMBLY

0742-327

Ref.	Part No.	Qty.	Description	Ref.	Part No.	Qty.	Description
1	8408-860	4	Screw, Cap	13	<u>0505-499</u>	2	Tie Rod - Assembly (inc. 14-20)
2	0405-035	4	Cap, Steering Adjuster	14	<u>0505-511</u>	2	● End, Tie Rod - Left-Hand Thread - Kit (inc. 15-16 and two No. 21-22)
3	0423-505	2	Screw, Shoulder	15	*	2	●● End, Tie Rod - Left-Hand Thread
4	<u>0505-484</u>	1	Cap, Housing	16	0423-013	2	●● Nut - Left-Hand Thread
5	0405-138	1	Housing, Lower	17	<u>0405-281</u>	2	● Tie Rod
6	0405-139	1	Housing, Upper	18	<u>0505-510</u>	2	● End, Tie Rod - Right-Hand Thread - Kit (inc. 19-20 and two No. 21-22)
7	0505-451	1	Post, Steering	19	*	2	●● End, Tie Rod - Right-Hand Thread
8	8408-816	2	Screw, Cap	20	8420-002	2	●● Nut - Right-Hand Thread
9	0602-233	1	Flange, Bearing	21	0423-157	4	Nut, Lock
10	0405-052	1	Bearing w/Inverted Oil Seal	22	0623-175	4	Pin, Cotter
11	0423-073	1	Washer				
12	8409-020	1	Screw, Cap				

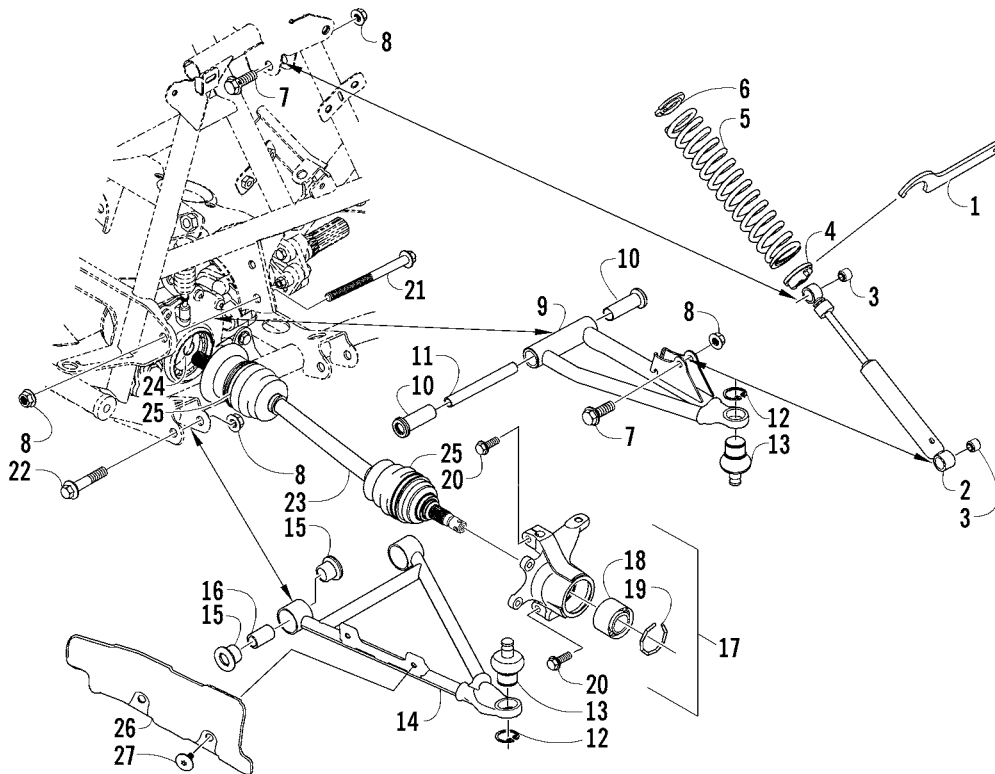


HANDLEBAR AND WINDSHIELD ASSEMBLY

(Complete Windshield Kit p/n 0436-979)

0742-791 *Not a Service Part

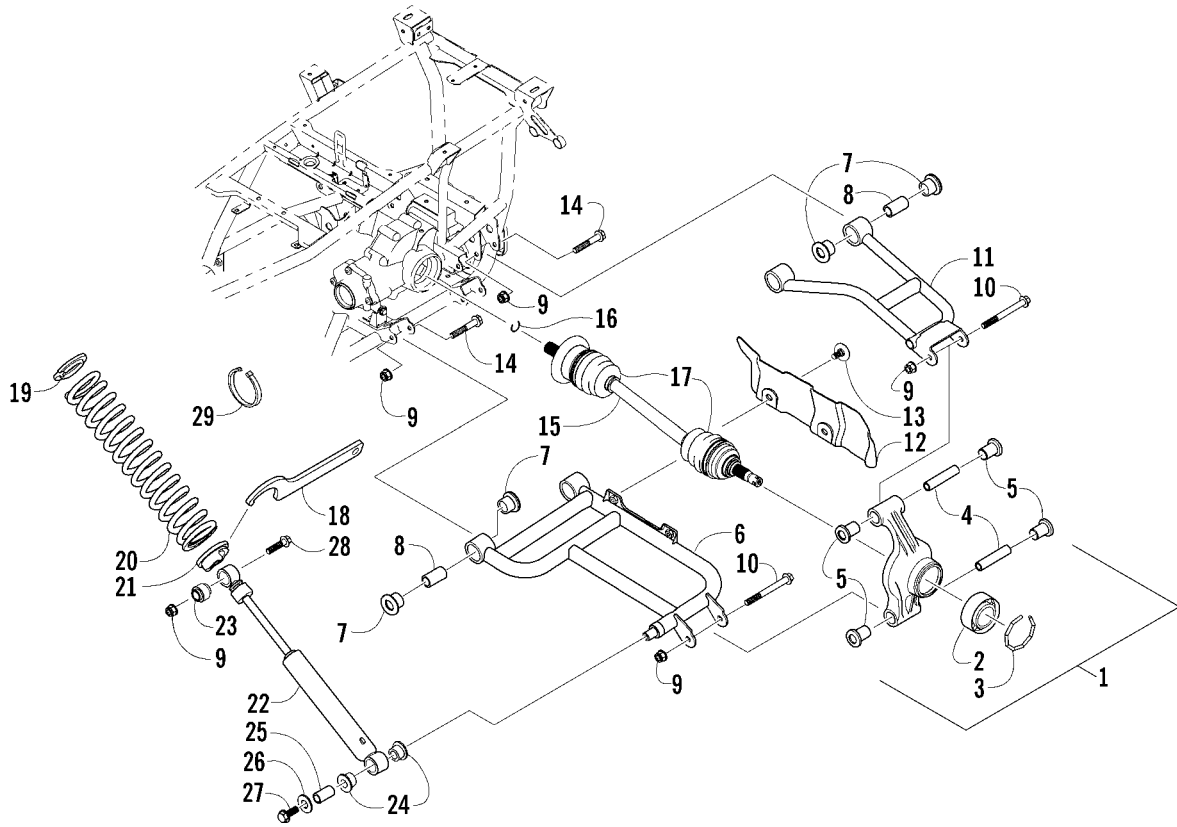
Ref.	Part No.	Qty.	Description	Ref.	Part No.	Qty.	Description
1	0505-476	1	Tube, Handlebar	20	0487-050	1	Cable, Differential Lock
2	0405-218	2	Plug, Handlebar	21	0541-589	1	Bracket, Mounting - Windshield
3	0405-149	2	End Cap, Handlebar	22	1441-621	1	Windshield
4	8050-247	2	Washer	23	0541-592	1	Bracket, Mounting - Right
5	8477-845	2	Screw, Machine		0541-593	1	Bracket, Mounting - Left
6	0405-147	2	Grip, Handlebar	24	1441-624	2	Knob, Plastic
7	<u>0430-069</u>	1	Switch, Ignition - Assembly (inc. 8-10)	25	1402-338	2	Cap
8	0430-050	1	● Nut, Flange - Ignition Switch	26	0541-590	1	Pin, Mounting - Tapered - Right
9	<u>0430-042</u>	1	● Key, Ignition (Y Series - Left-Side Cut)		0541-591	1	Pin, Mounting - Tapered - Left
	<u>0430-043</u>	1	● Key, Ignition (Z Series - Right-Side Cut)	27	0541-594	2	Bracket, Support
10	0430-054	1	● Cover, Key	28	1436-033	1	Hardware - Kit (inc. 29-36)
11	<u>0520-031</u>	1	Gauge, LCD	29	*	4	● Screw, Cap
12	0405-276	1	Instrument Pod	30	*	6	● Nut, Lock
13	0641-897	1	Outlet, Accessory - 12V	31	*	4	● Nut, Lock
14	0420-065	1	Clamp, Plastic	32	*	4	● Washer, Nylon
15	0423-493	2	Nut w/Washer	33	*	4	● Washer
16	<u>2506-470</u>	1	Bracket, Mounting - Instrument Pod	34	*	4	● Screw, Cap
17	0423-535	2	Rivet, Reinstallable	35	*	4	● Screw, Cap
18	0502-527	1	Control, Differential Lock (inc. 19)	36	*	6	● Rivet, Reinstallable
19	0502-613	1	● Clamp, Differential Lock Control - Kit				



FRONT SUSPENSION ASSEMBLY

0741-444

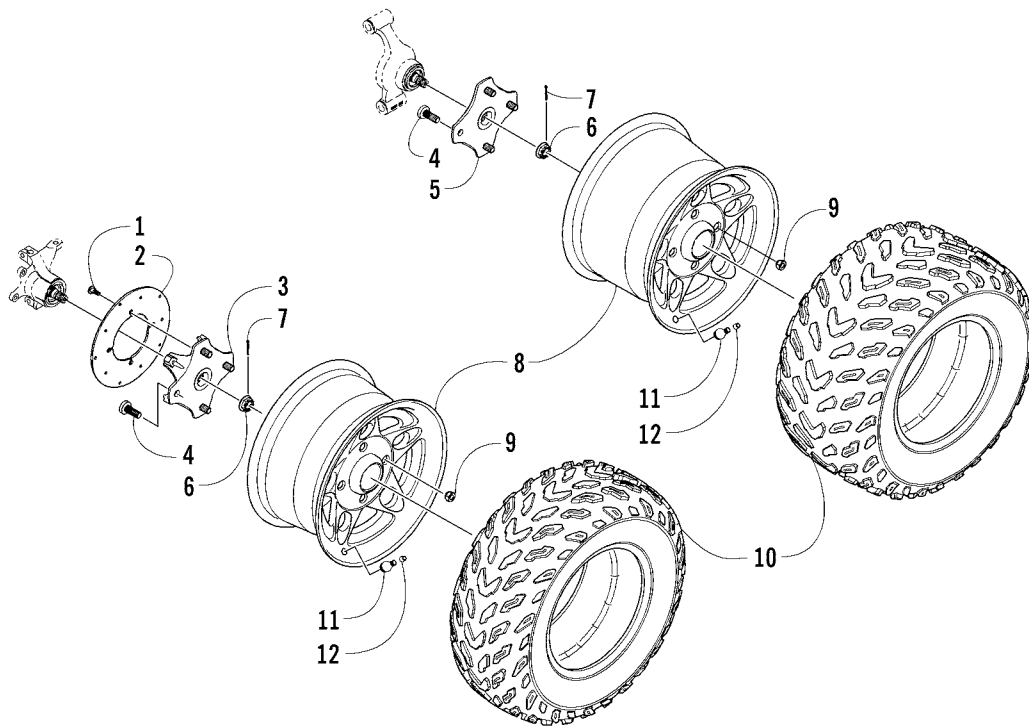
Ref.	Part No.	Qty.	Description	Ref.	Part No.	Qty.	Description
1	0441-587	1	Wrench, Spanner	15	0403-115	8	● Bushing
2	0403-176	2	Shock Absorber - Front (inc. 3)	16	0403-114	4	● Collar
3	0403-182	4	● Bushing, Double-Bonded	17	0505-460	1	Knuckle - Assembly - Right (inc. 18-19)
4	0403-102	2	Cam, Spring Adjuster	17	0505-461	1	Knuckle - Assembly - Left (inc. 18-19)
5	0403-174	2	Spring, Shock Absorber - Platinum	18	1402-027	2	● Bearing, Wheel Hub
6	1603-889	2	Retainer, Spring	19	0423-423	2	● Ring, Retaining
7	8409-040	4	Screw, Cap	20	8409-030	4	Screw, Cap
8	8428-002	10	Nut, Lock	21	0423-334	2	Screw, Cap
9	0503-272	1	A-Arm, Upper Right - Platinum (inc. 10-13)	22	8409-075	4	Screw, Cap
	0503-273	1	A-Arm, Upper Left - Platinum (inc. 10-13)	23	0502-813	1	Axle, Drive - Front - Left (inc. 24-25)
10	0403-081	4	● Bushing		0502-812	1	Axle, Drive - Front - Right (inc. 24-25)
11	0403-080	2	● Collar	24	1441-109	2	● Clip, Retaining
12	0423-009	4	● Clip, Ball Joint	25	0436-276	2	● Repair Kit, Boot
13	0405-115	4	● Ball Joint - Front	26	1406-034	1	Guard, Boot - Right - Black
14	0503-342	1	A-Arm, Lower Right - Platinum (inc. 12-13 and 15-16)		1406-035	1	Guard, Boot - Left - Black
	0503-343	1	A-Arm, Lower Left - Platinum (inc. 12-13 and 15-16)	27	0423-545	4	Screw, Body



REAR SUSPENSION ASSEMBLY

0741-439

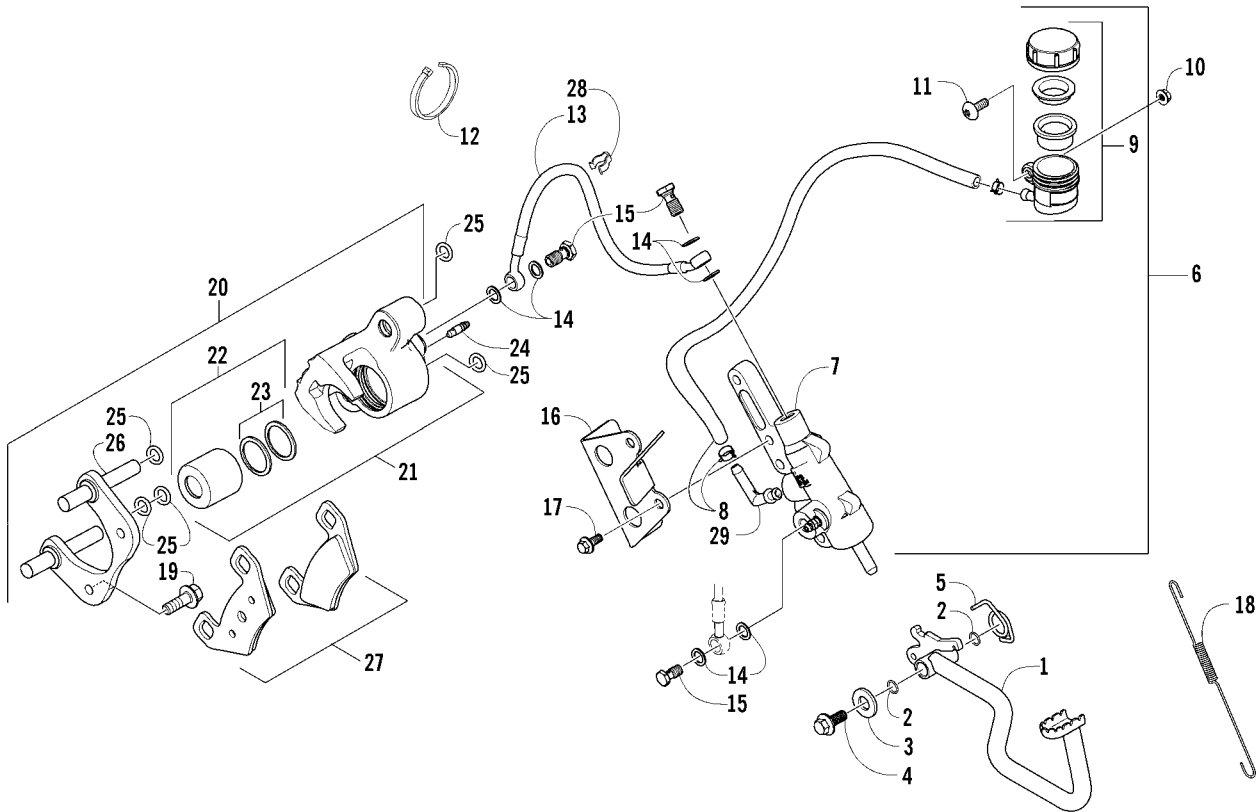
Ref.	Part No.	Qty.	Description	Ref.	Part No.	Qty.	Description
1	0504-372	1	Knuckle, Right Rear - Assembly (inc. 2-5)	13	0423-545	4	Screw, Body
	0504-373	1	Knuckle, Left Rear - Assembly (inc. 2-5)	14	8409-075	8	Screw, Cap
2	1402-027	2	● Bearing, Wheel Hub	15	0502-811	2	Axle, Drive - Rear (inc. 16-17)
3	0423-423	2	● Ring, Retaining	16	0441-893	2	● Clip, Retaining
4	0403-038	4	● Collar, Suspension Bushing	17	0436-276	2	● Repair Kit, Boot
5	0403-032	8	● Bushing, Suspension	18	0441-587	1	Wrench, Spanner
6	0504-440	1	A-Arm, Rear - Lower Right - Platinum (inc. 7-8)	19	1603-889	2	Retainer, Spring
	0504-441	1	A-Arm, Rear - Lower Left - Platinum (inc. 7-8)	20	0403-174	2	Spring, Suspension - Platinum
7	0403-115	16	● Bushing	21	0404-057	2	Cam, Spring Adjuster
8	0403-114	8	● Collar	22	0404-147	2	Shock Absorber - Rear (inc. 23-25)
9	8428-002	14	Nut, Lock	23	0403-182	2	● Bushing, Double-Bonded
10	8409-000	4	Screw, Cap	24	0603-955	4	● Bushing, Shock Absorber
11	0504-476	1	A-Arm, Rear - Upper Right - Platinum (inc. 7-8)	25	1603-219	2	● Sleeve, Shock Absorber
	0504-477	1	A-Arm, Rear - Upper Left - Platinum (inc. 7-8)	26	0423-087	2	Washer
12	1406-068	1	Guard, Boot - Right - Black	27	8408-820	2	Screw, Cap
	1406-069	1	Guard, Boot - Left - Black	28	8409-050	2	Screw, Cap
				29	0123-788	2	Cable Tie



WHEEL AND TIRE ASSEMBLY

0741-578

Ref.	Part No.	Qty.	Description	Ref.	Part No.	Qty.	Description
1	0423-557	12	Screw, Shoulder w/Loctite	8	1402-424	2	Wheel - Front - Black
2	1402-225	3	Disc, Brake		1402-425	2	Wheel - Rear - Black
3	0502-599	2	Hub, Wheel - Front (inc. 4)	9	0423-618	16	Nut, Mounting - Wheel - Chrome
4	0402-974	16	● Stud, Wheel Hub	10	1402-548	2	Tire - Front
5	0502-601	1	Hub, Wheel - Rear - Left (inc. 4)		1402-549	2	Tire - Rear
	0502-599	1	Hub, Wheel - Rear - Right (inc. 4)	11	0402-064	4	Stem, Valve (inc. 12)
6	0423-607	4	Nut, Castle	12	0402-140	4	● Cap, Valve Stem
7	0423-407	4	Pin, Cotter				

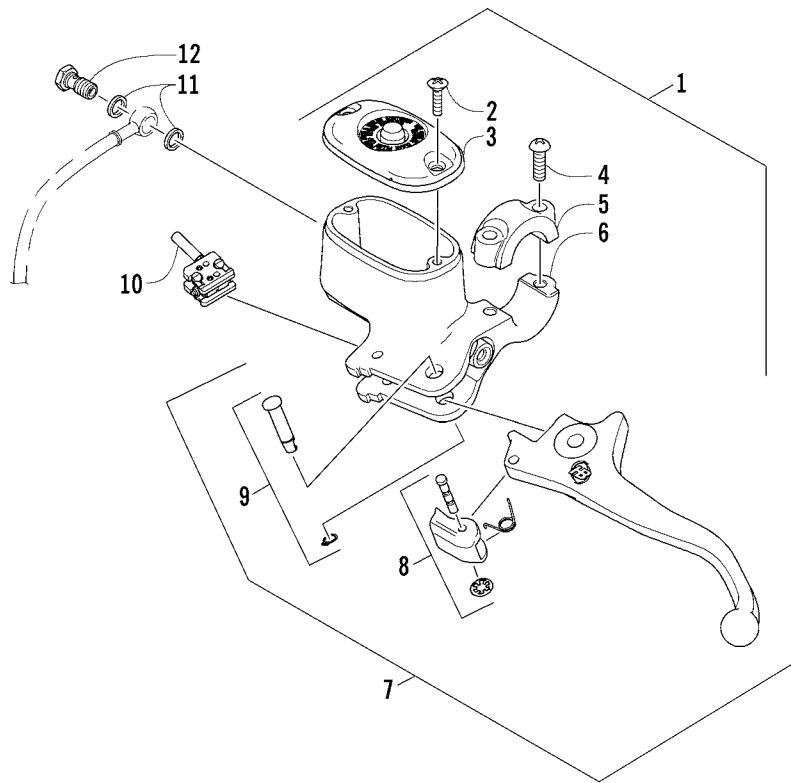


AUXILIARY BRAKE ASSEMBLY

(Master Cylinder Replacement Kit p/n 1502-294)

0742-599 *Not a Service Part

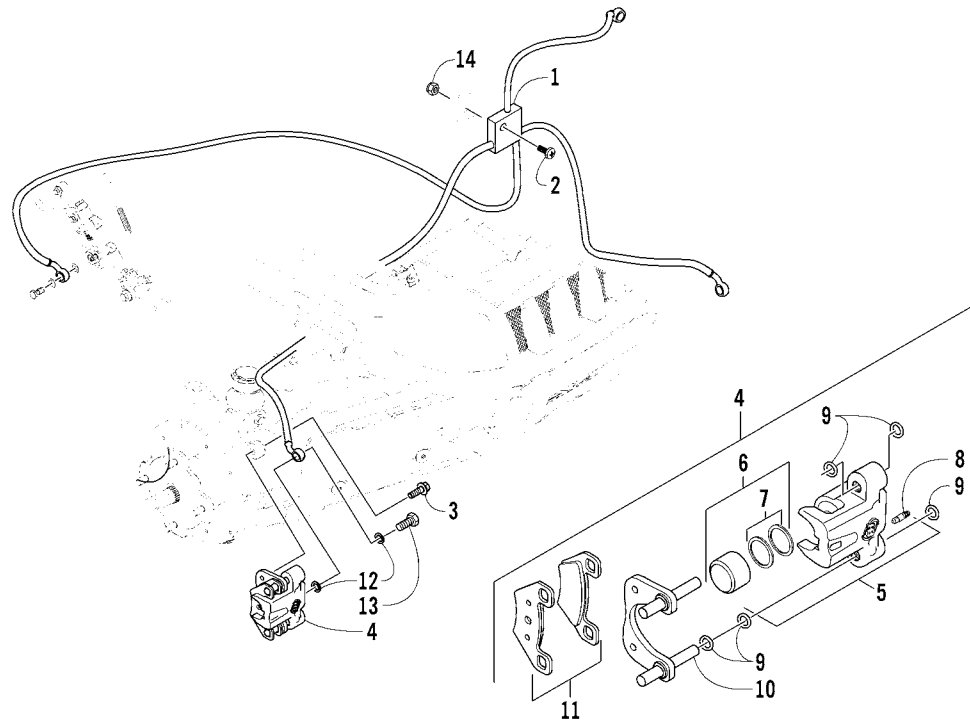
Ref.	Part No.	Qty.	Description	Ref.	Part No.	Qty.	Description
1	1502-063	1	Lever, Brake	16	0502-840	1	Bracket, Switch
2	1602-213	2	O-Ring	17	8408-625	2	Screw, Cap
3	8050-252	1	Washer	18	0502-785	1	Spring, Brake Switch
4	8408-816	1	Screw, Cap	19	8408-821	2	Screw, Cap
5	0502-807	1	Spring, Brake Lever	20	0502-878	1	Caliper, Brake (inc. 21-27)
6	<u>1502-293</u>	1	Brake Assembly (inc. 7-9)	21	0502-603	1	● Housing, Caliper - Assembly - Right Rear (inc. 22-24)
7	*	1	● Master Cylinder	22	0502-606	1	● ● Piston/Seal Set (inc. 23)
8	*	1	● Hose, Brake Fluid Reservoir w/Clamps	23	0502-607	1	● ● ● Seal Set
9	1502-155	1	● Reservoir, Brake Fluid w/Clamp	24	0502-609	1	● ● Valve, Bleed
10	0623-038	1	Nut, Flanged	25	0502-608	1	● O-Ring, Guide - Set
11	8476-616	1	Screw, Machine	26	0502-605	1	● Bracket Assembly
12	0123-788	1	Cable Tie - 7.5 in.	27	0502-875	1	● Pad, Brake - Set
13	1502-140	1	Hose, Brake	28	1502-115	2	Clip, Brake Hose
14	0423-178	6	Washer, Crush	29	<u>1502-296</u>	1	Adapter, Hose
15	0423-413	3	Bolt, Banjo-Fitting				



HYDRAULIC HAND BRAKE ASSEMBLY

0741-458

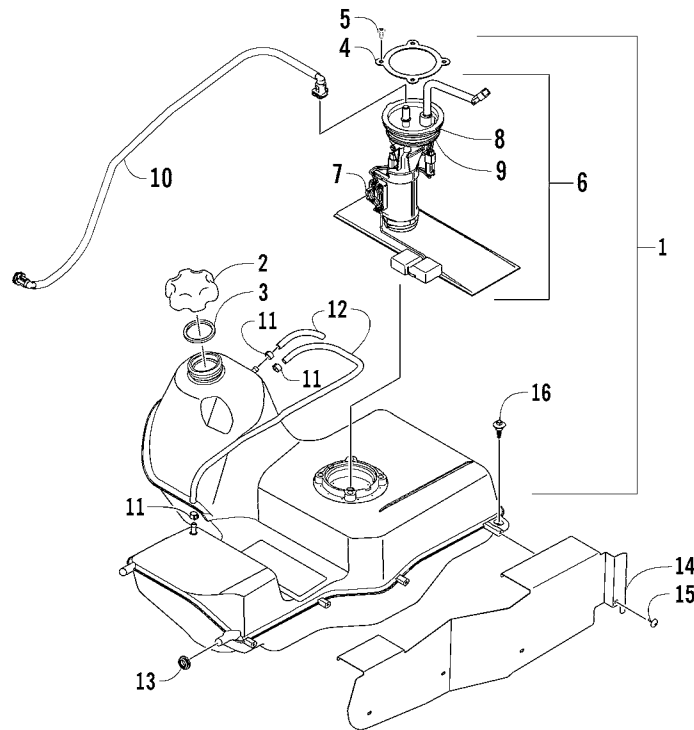
Ref.	Part No.	Qty.	Description	Ref.	Part No.	Qty.	Description
1	0502-914	1	Brake Assembly (inc. 2-10)	7	0502-866	1	● Lever Assembly - Kit (inc. 8-9)
2	0502-566	1	● Screw, Reservoir Cover	8	0502-867	1	●● Lock, Brake Lever - Kit
3	0502-868	1	● Cover, Reservoir	9	0502-580	1	●● Lever Pin - Kit
4	0502-568	1	● Screw, Master Cylinder Clamp	10	0502-564	1	● Switch, Brake
5	0502-869	1	● Clamp, Master Cylinder	11	0423-178	2	Washer, Crush
6	0502-704	1	● Master Cylinder Assembly	12	0423-413	1	Bolt, Banjo-Fitting



HYDRAULIC BRAKE ASSEMBLY

0742-383

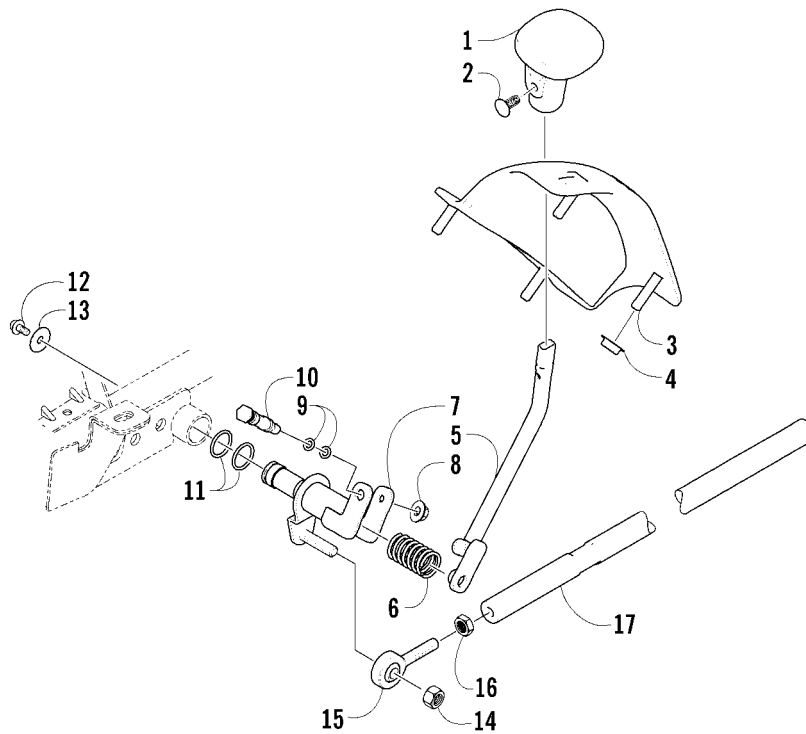
Ref.	Part No.	Qty.	Description	Ref.	Part No.	Qty.	Description
1	1502-015	1	Hose, Brake - Assembly	6	0502-606	2	●● Piston/Seal Set (inc. 7)
2	8476-625	1	Screw, Cap	7	0502-607	2	●●● Seal Set
3	8408-821	4	Screw, Cap	8	0502-609	2	●● Valve, Bleed
4	0502-878	1	Caliper, Brake - Right Front (inc. 5-11)	9	0502-608	2	● O-Ring, Guide - Set
	0502-879	1	Caliper, Brake - Left Front (inc. 5-11)	10	0502-605	2	● Bracket Assembly
5	0502-603	1	● Housing, Caliper - Assembly - Right Front (inc. 6-8)	11	0502-875	2	● Pad, Brake - Set
	0502-611	1	● Housing, Caliper - Assembly - Left Front (inc. 6-8)	12	0423-178	4	Washer, Crush
				13	0423-413	2	Bolt, Banjo-Fitting
				14	0623-038	1	Nut, Lock



GAS TANK ASSEMBLY

0742-697

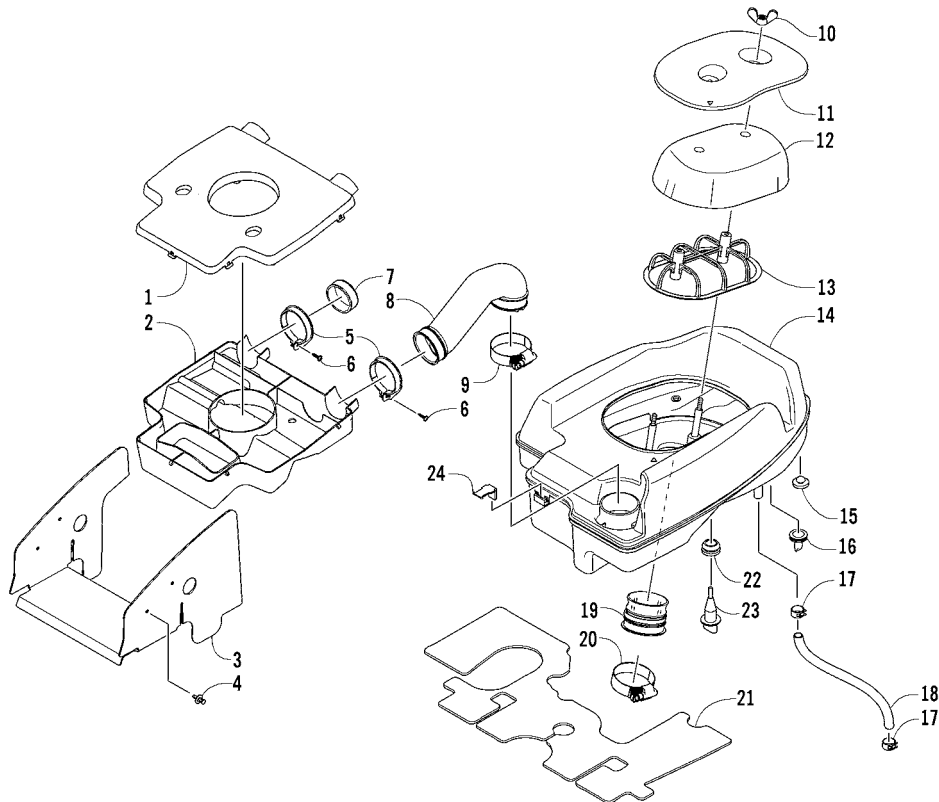
Ref.	Part No.	Qty.	Description	Ref.	Part No.	Qty.	Description
1	<u>0570-206</u>	1	Tank, Gas - Assembly (inc. 2-5)	9	0470-613	1	● ● Seal, Fuel Pump
2	0470-438	1	● Cap, Gas Tank (inc. 3)	10	<u>0470-748</u>	1	Hose, Gasline - Assembly
3	0109-733	1	● ● Gasket, Gas Tank Cap	11	0423-688	3	Clamp, Hose
4	0470-606	1	● Plate, Mounting - Fuel Pump	12	<u>0410-143</u>	AR	Hose, Gasline - 25 ft
5	8476-612	4	● Screw, Self-Tapping	13	0423-460	2	Grommet
6	<u>0570-207</u>	1	Pump, Fuel - Assembly (inc. 7-9)	14	<u>0470-715</u>	1	Shield, Heat - Gas Tank
7	<u>0570-208</u>	1	● Sensor, Fuel Level - Kit (inc. 8-9)	15	0623-797	4	Screw, Self-Tapping
8	0470-614	1	● ● Seal, Fuel Pump	16	0423-732	2	Screw, Gas Tank



SHIFT LEVER ASSEMBLY

0741-292

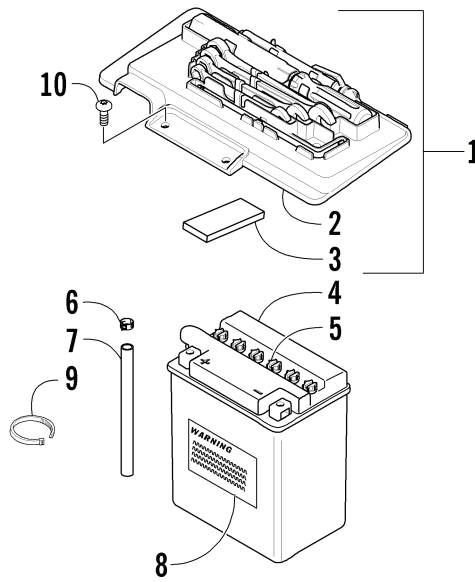
Ref.	Part No.	Qty.	Description	Ref.	Part No.	Qty.	Description
1	0402-843	1	Knob, Shift Lever	10	0402-675	1	Axle, Pivot
2	0423-345	1	Clip, Push	11	0423-299	2	O-Ring
3	1402-576	1	Plate, Shift	12	8408-812	1	Screw, Cap
4	0423-357	4	Nut, Stamped	13	0423-087	1	Washer
5	0502-659	1	Lever, Shift	14	0624-250	1	Nut
6	0402-678	1	Spring, Shift Lever	15	0423-648	1	End, Rod
7	0502-950	1	Axle, Shift Lever	16	0423-649	1	Nut, Jam
8	8424-602	1	Nut	17	2406-201	1	Linkage, Shift
9	0423-182	2	O-Ring				



AIR INTAKE ASSEMBLY

0742-493

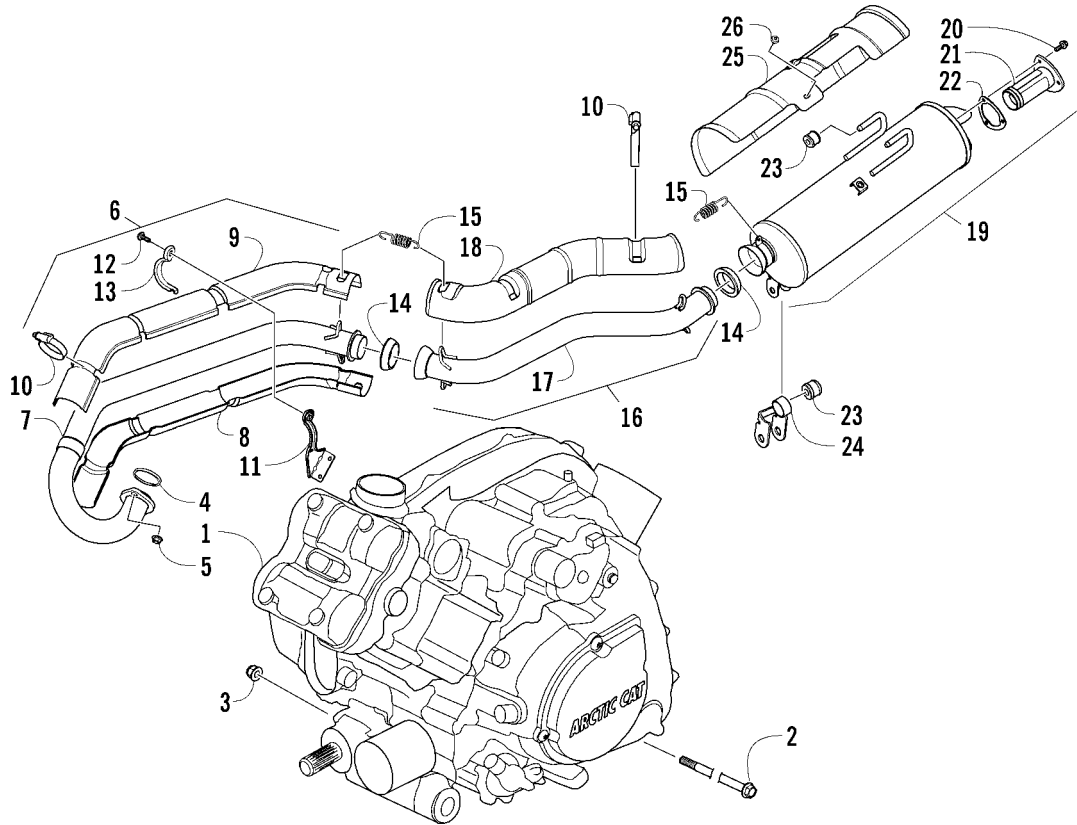
Ref.	Part No.	Qty.	Description	Ref.	Part No.	Qty.	Description
1	0413-091	1	Diverter, Air - Top	13	<u>0470-731</u>	1	Cage, Air Filter
2	0413-093	1	Diverter, Air - Bottom	14	<u>0570-211</u>	1	Housing, Air Intake
3	1406-785	1	Shroud, Splash	15	0406-877	4	Bumper
4	0623-362	2	Rivet, Reinstallable	16	0470-442	2	Valve, Drain
5	0423-551	2	Clamp	17	0423-045	2	Clamp
6	0423-342	2	Screw, Self-Tapping	18	0410-103	1	Hose, Vent - Crankcase
7	0413-096	1	Cap, Air Intake - Diverter	19	0470-582	1	Boot, Throttle Body
8	0470-583	1	Boot, Air Intake	20	0423-066	1	Clamp, Hose
9	0423-380	1	Clamp	21	2406-149	1	Panel, Shield
10	0423-716	2	Wing Nut	22	3006-657	1	Grommet, Air Temperature Sensor
11	0470-616	1	Cover, Air Intake	23	3006-656	1	Sensor, Air Temperature
12	0470-580	1	Filter, Air	24	<u>0430-066</u>	1	Support, Air Intake



BATTERY ASSEMBLY

0742-920 *Not Illustrated

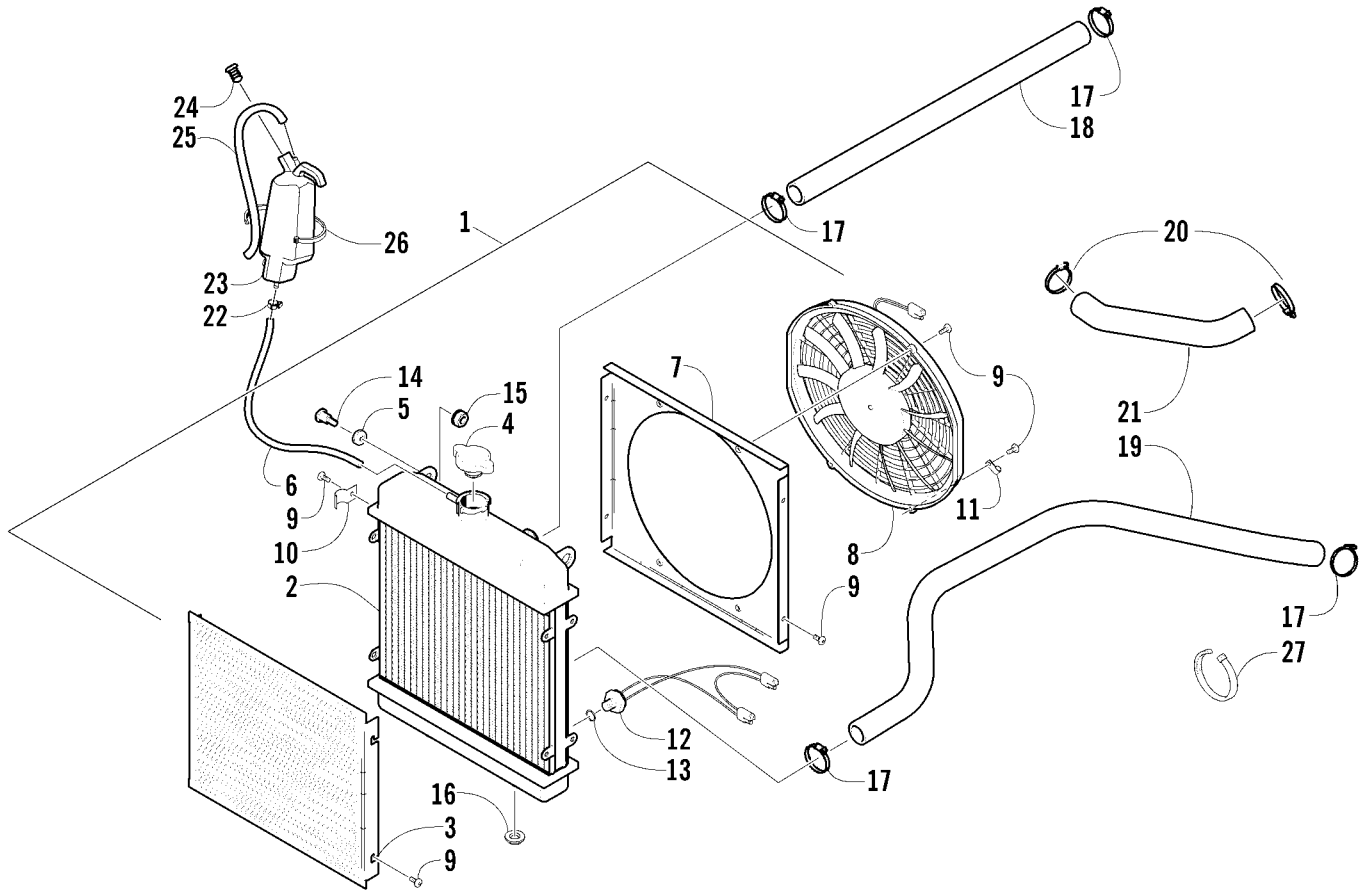
Ref.	Part No.	Qty.	Description	Ref.	Part No.	Qty.	Description
1	<u>5991-395</u>	1	Battery Cover/Tool Tray Assembly (inc. 2-3)	5	0645-045	6	● Cap, Battery
2	<u>2406-815</u>	1	● Cover, Battery	6	0645-152	1	● Clamp, Hose
3	0406-288	2	● Pad, Battery	7	0645-263	1	● Hose, Battery Vent
*	0444-122	1	● Kit, Tool	8	0645-151	1	● Label, Warning - Battery
4	0745-045	1	Battery Assembly (inc. 5-8)	9	0123-903	4	Cable Tie - 11.5 in.
				10	8476-620	2	Screw, Machine



ENGINE AND EXHAUST

0742-703

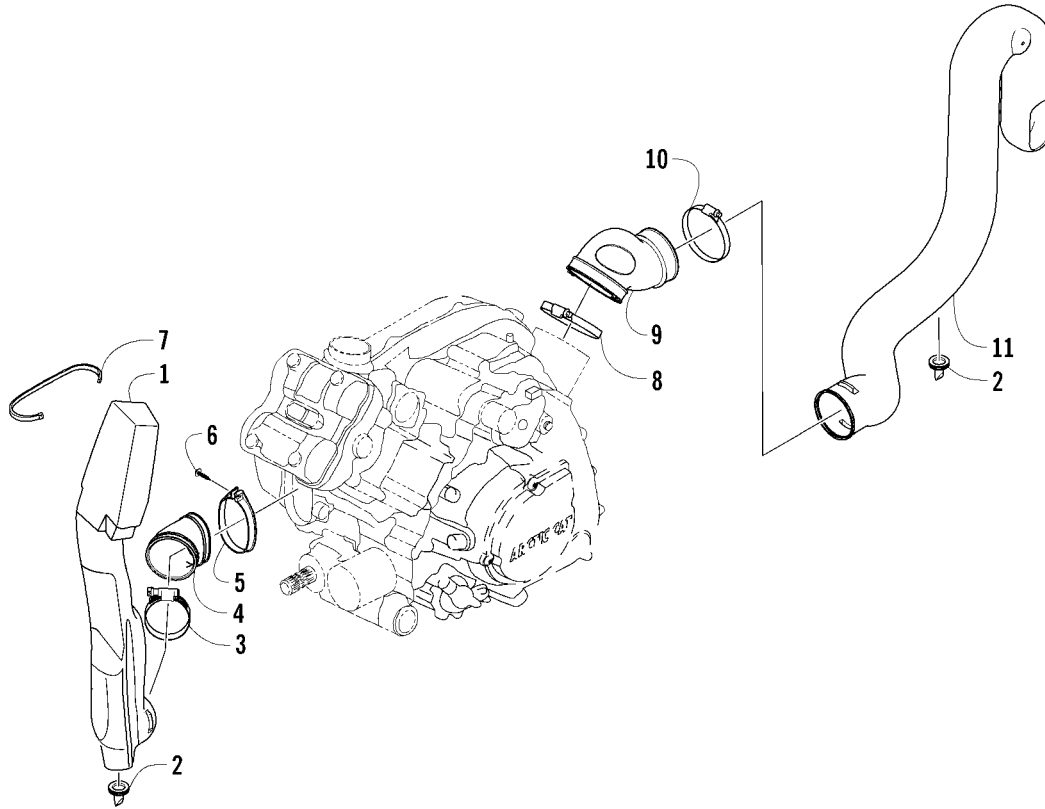
Ref.	Part No.	Qty.	Description	Ref.	Part No.	Qty.	Description
1	0462-046	1	Engine w/o Recoil	14	0412-375	2	Seal, Exhaust
2	3423-456	2	Screw, Cap	15	0612-668	4	Spring, Extension
3	8428-002	2	Nut, Lock	16	0512-439	1	Pipe, Exhaust - Assembly - Rear (inc. 17-18 and three No. 10)
4	0412-361	1	Gasket, Exhaust Pipe	17	0512-438	1	● Pipe, Exhaust
5	8424-802	2	Nut, Hex	18	0412-464	1	● Shield, Exhaust
6	0512-294	1	Pipe, Exhaust - Assembly (inc. 7-9 and three No. 10)	19	0512-355	1	Muffler - Assembly (inc. 20-22)
7	0512-293	1	● Pipe, Exhaust	20	8408-616	3	● Screw, Cap
8	0412-364	1	● Shield, Exhaust Pipe - Inner	21	0512-219	1	● Arrester, Spark - Assembly
9	0412-365	1	● Shield, Exhaust Pipe - Outer	22	0412-313	1	● Gasket, Spark Arrester
10	0423-317	6	● Hose Clamp	23	0412-215	3	Bushing, Exhaust Pipe
11	0512-317	1	Support, Exhaust Pipe	24	1506-732	1	Channel, Muffler Support
12	8477-620	1	Screw, Machine	25	0412-373	1	Cover, Muffler
13	0512-318	1	Bracket, Exhaust Pipe	26	8477-610	3	Screw, Machine



COOLING ASSEMBLY

0741-300

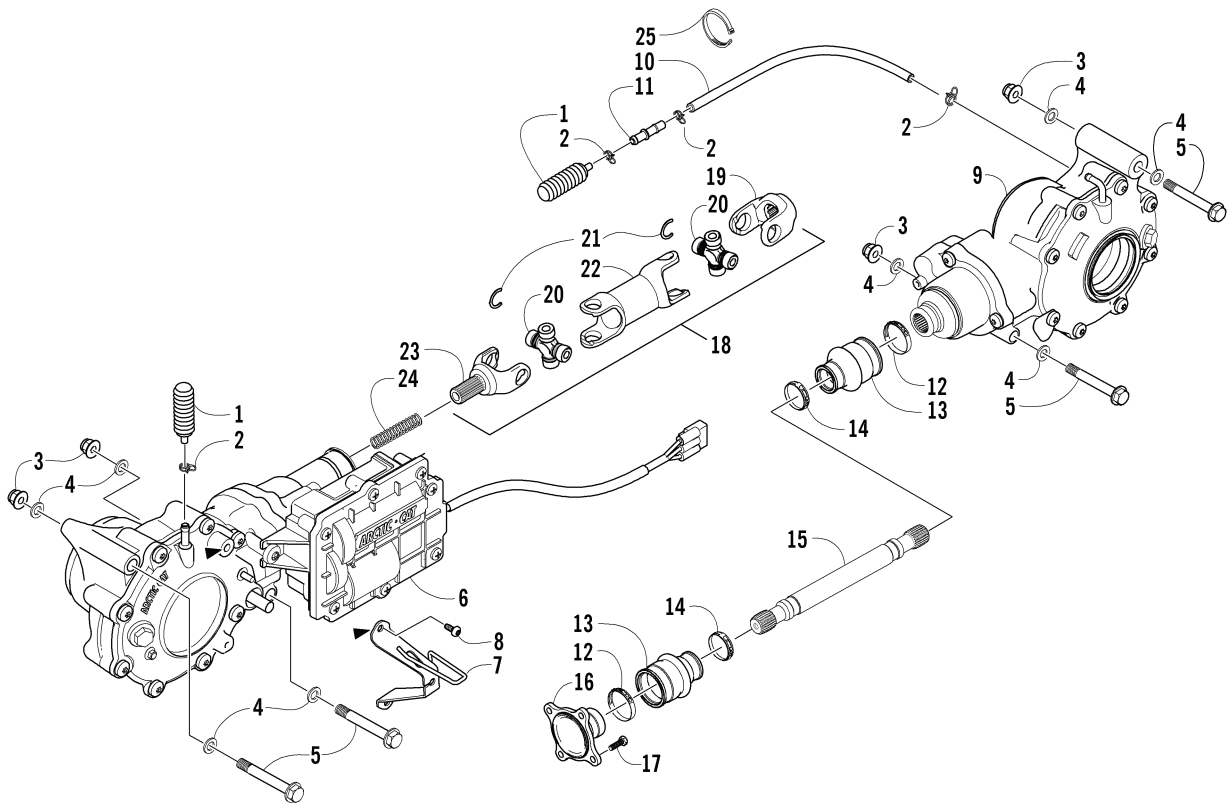
Ref.	Part No.	Qty.	Description	Ref.	Part No.	Qty.	Description
1	0413-172	1	Radiator Assembly (inc. 2-13)	15	0623-038	2	Nut w/Washer
2	0413-184	1	● Radiator	16	0423-028	2	Bushing, Stem
3	0413-007	1	● Screen, Radiator	17	0423-496	4	Clamp, Hose
4	0413-002	1	● Cap, Radiator	18	0410-105	1	Hose, Coolant - Upper
5	0423-030	2	● Grommet	19	0410-055	1	Hose, Coolant - Lower
6	0610-016	AR	● Hose - 25 ft	20	3006-324	2	Clamp
7	0413-046	1	● Shroud, Fan	21	3410-021	1	Hose, Coolant - Crossover
8	0413-123	1	● Fan, Cooling	22	0124-045	1	Clamp, Hose
9	8475-512	12	● Screw, Machine	23	0413-086	1	Tank, Coolant Overflow
10	0423-351	1	● Clamp, Wire	24	0413-087	1	Stopper, Coolant Tank
11	0123-397	1	● Clamp, Cable	25	0610-011	AR	Hose, Clear - 25 ft
12	0413-168	1	● Switch, Sensor - Temperature	26	0623-316	1	Cable Tie
13	0423-390	1	● O-Ring	27	0123-788	2	Cable Tie
14	0423-484	2	Screw, Shoulder				



CASE/BELT COOLING ASSEMBLY

0742-710

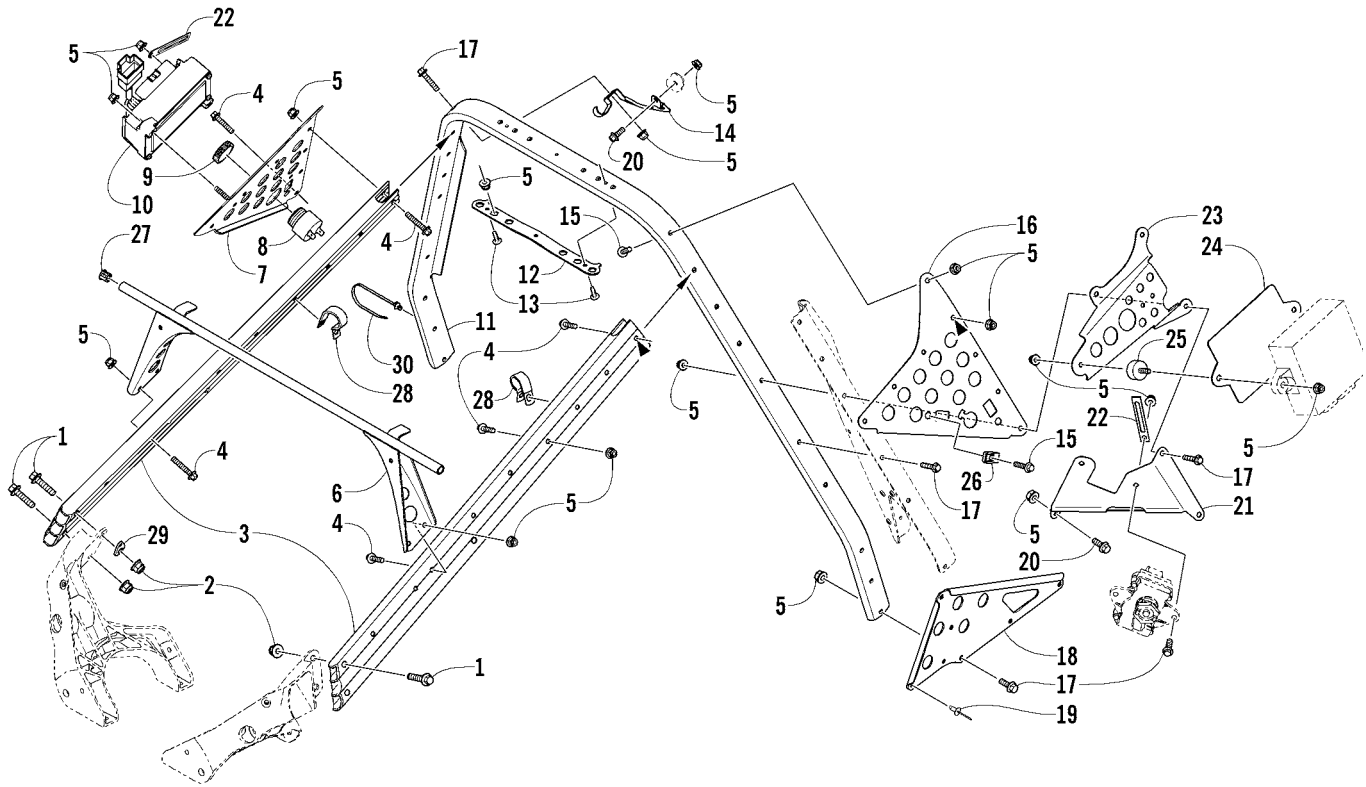
Ref.	Part No.	Qty.	Description	Ref.	Part No.	Qty.	Description
1	0413-126	1	Duct, Belt Cooling - Front	7	0123-903	1	Cable Tie - 11.5 in.
2	0470-442	2	Valve, Drain	8	0423-018	1	Clamp, Boot
3	0423-578	1	Clamp, Boot	9	0413-196	1	Boot, Belt Cooling - Rear
4	0413-160	1	Boot, Belt Cooling - Front	10	0423-380	1	Clamp, Boot
5	0423-550	1	Clamp, Boot	11	0413-106	1	Duct, Belt Cooling - Rear
6	0423-342	1	Screw, Self-Tapping				



DRIVE TRAIN ASSEMBLY

0742-497

Ref.	Part No.	Qty.	Description	Ref.	Part No.	Qty.	Description
1	0402-147	2	Bladder, Gearcase	14	0423-411	2	Clamp, Boot
2	0423-315	4	Clamp, Fitting	15	1402-688	1	Shaft, Propeller
3	8428-002	4	Nut, Lock	16	0402-950	1	Flange, Output
4	0423-426	8	Washer	17	8408-820	4	Screw, Cap
5	0423-404	4	Screw, Cap	18	0502-918	1	Driveshaft, Front - Assembly (inc. 19-23)
6	1502-242	1	Gearcase, Front	19	0502-915	1	● Yoke, Front Slip
7	0502-500	1	Plate, Cable	20	1402-164	2	●● Joint, Universal (inc. 21)
8	0423-396	2	Screw, Self-Tapping	21	0423-450	8	●● Ring, Retaining
9	0502-909	1	Gearcase, Rear	22	0502-917	1	● Driveshaft, Front
10	0410-048	AR	Hose, Vent - 25 ft	23	1402-439	1	● Yoke, Slip
11	0470-462	1	Fitting, Vent	24	1402-521	1	Spring
12	0423-393	2	Clamp, Boot	25	0123-788	AR	Tie, Cable
13	0402-985	2	Boot				

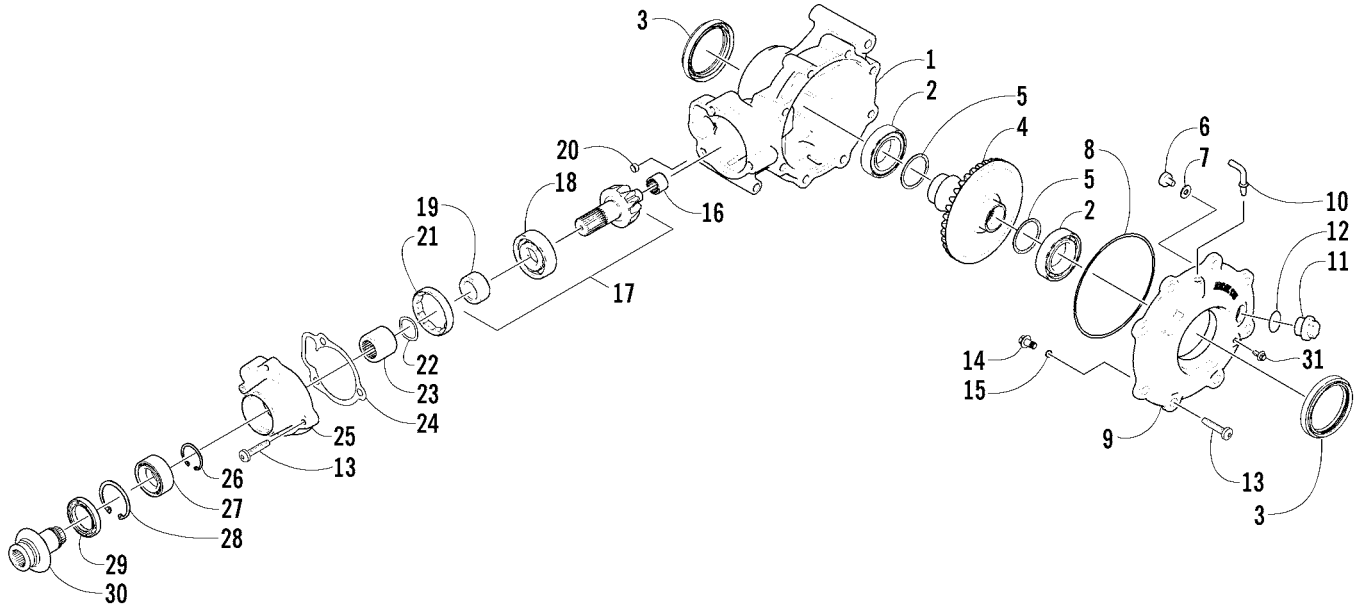


FRONT DRIVE GEARCASE ASSEMBLY

(Complete Assembly p/n 1502-242)

0742-558

Ref.	Part No.	Qty.	Description	Ref.	Part No.	Qty.	Description
1	0502-923	1	Shaft, Propeller - Assembly (inc. 2-3)	33	0402-405	AR	Shim
2	1402-438	1	● Shaft, Input		0402-406	AR	Shim
3	1402-168	1	● Deflector		0402-407	AR	Shim
4	1402-011	1	Seal		0402-408	AR	Shim
5	0423-423	1	Ring, Retaining		0402-409	AR	Shim
6	0502-347	1	Bracket, Actuator	34	<u>1502-234</u>	1	Gear, Ring - 36T
7	0502-579	1	Actuator (inc. one No. 8)	35	1402-074	AR	Shim
8	0423-498	2	● O-Ring		1402-075	AR	Shim
9	0423-396	3	Screw, Self-Tapping		1402-076	AR	Shim
10	1402-043	1	Bearing		1402-077	AR	Shim
11	0423-118	11	Screw, Self-Tapping		1402-078	AR	Shim
12	0502-528	1	Housing, Pinion	36	1502-097	1	Cover, Gearcase (inc. one No. 30, 37-52, and one No. 53)
13	0402-947	1	Gasket, Flange	37	1402-053	1	● Bearing
14	0423-417	1	Ring, Retaining	38	0502-413	1	● Flange, Bearing
15	0402-413	1	Coupler, Drive	39	1402-079	1	● Pin, Parallel
16	0402-357	1	Collar, Lock	40	1402-042	1	● Collar, Sliding
17	0502-783	1	Gear, Pinion - Assembly - 10T (inc. 18-19)	41	1402-054	1	● Fork
18	0402-336	1	● Collar, Retaining	42	1402-058	2	● Ring, Retaining
19	0402-327	1	● Bearing	43	1402-057	1	● Spring
20	0402-328	1	Bearing	44	1402-063	1	● Spring
21	0502-514	1	Housing, Gearcase	45	1402-055	1	● Shaft, Lock
22	0402-411	1	Pin, Dowel	46	0402-419	1	● Switch, Indicator
23	0402-999	1	Spring, Return	47	1402-104	1	● Fitting
24	0423-147	1	O-Ring	48	0423-133	1	● O-Ring
25	0402-417	1	Shaft, Shuttle	49	0423-132	1	● Washer
26	0402-998	1	Fork, Selector	50	0423-424	1	● Ring, Retaining
27	0423-402	1	Ring, Retaining	51	1402-056	1	● Seal
28	0402-997	1	Shaft, Selector	52	1402-211	1	● Plug, Oil Level (inc. one No. 30)
29	1402-210	1	Plug, Magnetic (inc. one No. 30)	53	1402-441	2	● Seal
30	0423-153	2	● O-Ring	54	0402-333	1	Plug, Fill (inc. 55)
31	0423-149	1	O-Ring	55	0423-154	1	● O-Ring
32	0402-393	1	Bearing				

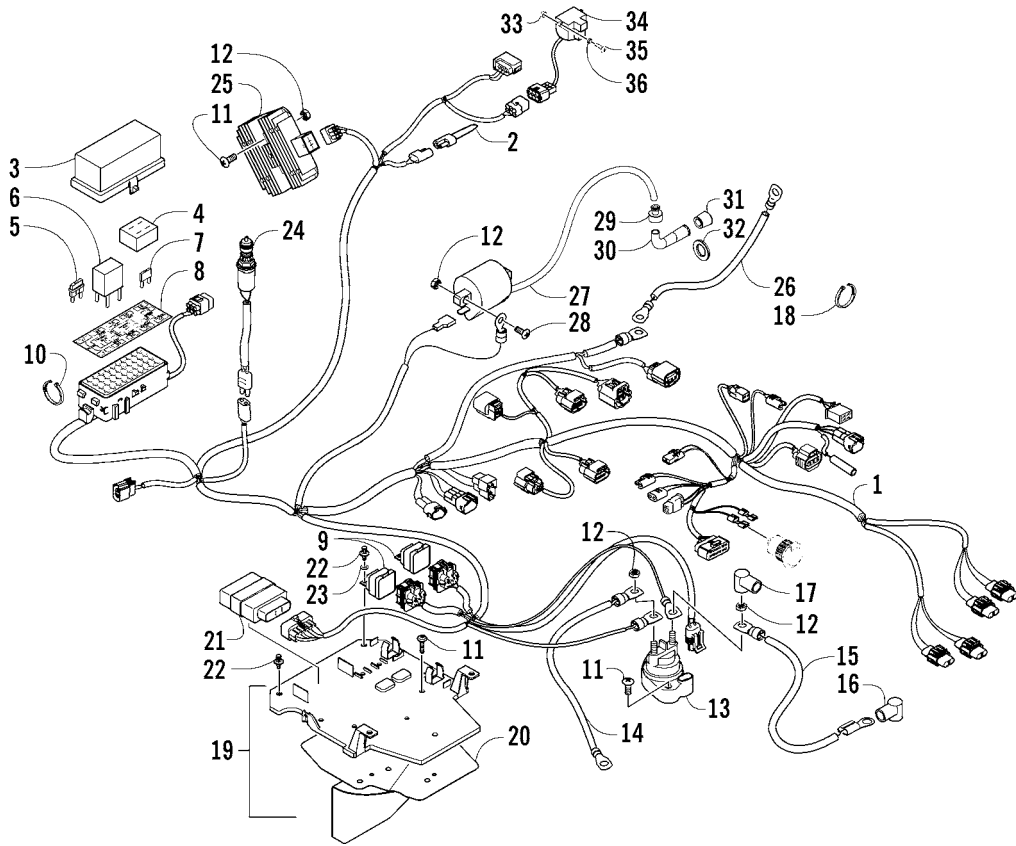


REAR DRIVE GEARCASE ASSEMBLY

(Complete Assembly p/n 0502-909)

0741-426

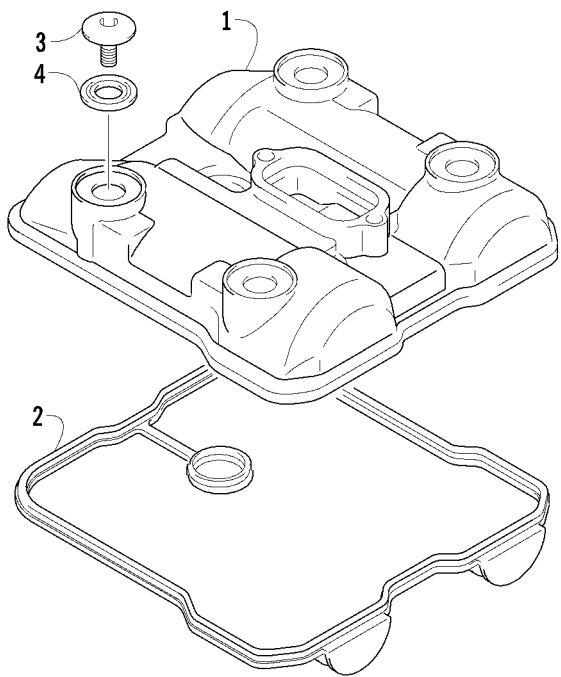
Ref.	Part No.	Qty.	Description	Ref.	Part No.	Qty.	Description
1	0502-911	1	Housing, Gearcase	13	0423-118	11	Screw, Self-Tapping
2	0402-393	2	Bearing	14	0402-450	1	Plug, Magnetic (inc. 15)
3	1402-441	2	Seal	15	0423-153	1	● O-Ring
4	1402-032	1	Gear, Ring - 36T	16	0402-328	1	Bearing
5	0402-405	AR	Shim	17	0502-783	1	Gear, Pinion - Assembly - 10T (inc. 18-19)
	0402-406	AR	Shim	18	0402-327	1	● Bearing
	0402-407	AR	Shim	19	0402-336	1	● Collar, Retaining
	0402-408	AR	Shim	20	0402-411	1	Pin, Dowel
	0402-409	AR	Shim	21	0402-331	1	Collar, Lock
6	0402-326	1	Button, Thrust	22	0402-982	1	Washer, Wave
7	0423-149	1	O-Ring	23	0402-981	1	Collar, Shaft
8	0402-429	AR	Shim	24	0402-947	1	Gasket, Flange
	0402-430	AR	Shim	25	0502-529	1	Housing, Pinion
	0402-431	AR	Shim	26	0423-417	1	Ring, Retaining
	0402-432	AR	Shim	27	1402-043	1	Bearing
	0402-433	AR	Shim	28	0423-423	1	Ring, Retaining
9	0502-920	1	Cover, Gearcase	29	1402-011	1	Seal
10	1402-102	1	Fitting	30	1502-085	1	Shaft, Input
11	0402-333	1	Plug, Fill (inc. 12)	31	1402-211	1	Plug, Oil Level
12	0423-154	1	● O-Ring				



WIRING HARNESS ASSEMBLY

0742-714 *Not Illustrated

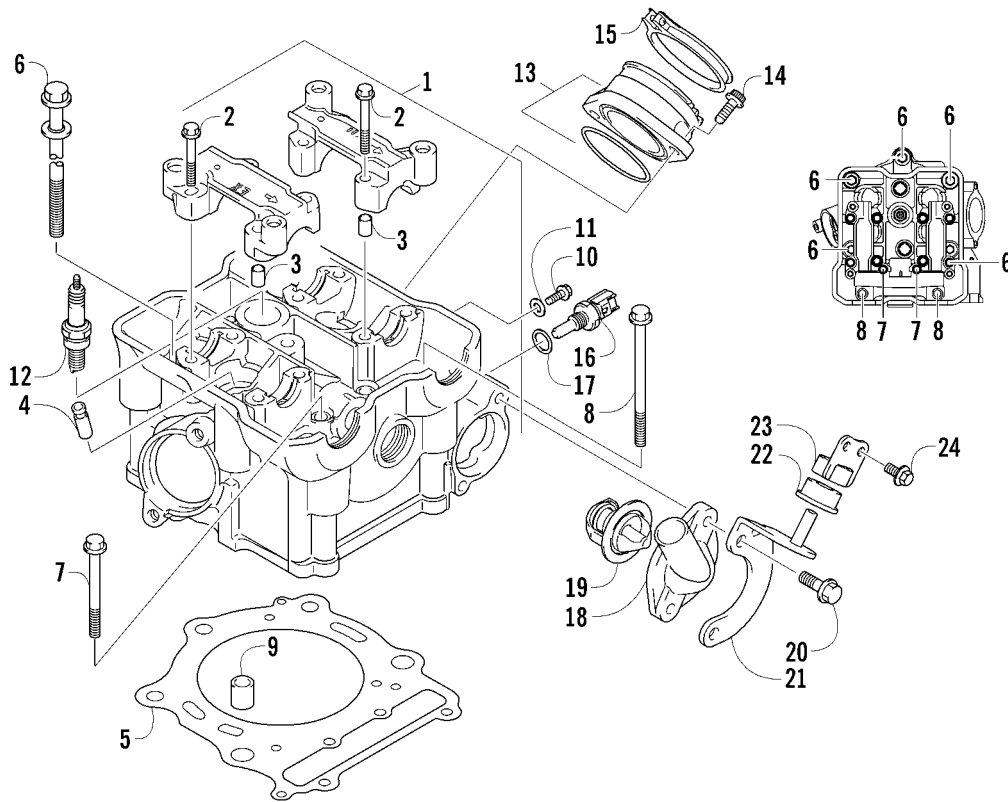
Ref.	Part No.	Qty.	Description	Ref.	Part No.	Qty.	Description
1	<u>0486-262</u>	1	Harness, Main (inc. 2-9)	19	<u>2506-759</u>	1	Tray, Electrical (inc. 20 and three No. 11)
2	0486-164	1	● Tether, Accessory Connector	20	<u>2506-760</u>	1	● Shield, Heat - Assembly
3	0530-008	1	● Cover, Fuse Block	21	3430-063	1	Electronic Control Module
4	0430-037	1	● Holder, Fuse	22	0623-362	6	Rivet, Reinstallable
5	0430-034	4	● Diode	23	8050-217	2	Washer
6	0430-045	3	● Relay - 20 Amp (4-Pin)	24	<u>0409-089</u>	1	Switch, Brake - Assembly
7	0430-032	5	● Fuse - 10 Amp	25	0824-037	1	Regulator, Voltage
	0430-031	3	● Fuse - 15 Amp	26	0445-065	1	Cable, Battery/Ground
	0430-030	2	● Fuse - 30 Amp	27	3530-053	1	Coil, Ignition - Assembly
8	<u>1411-673</u>	1	● Decal, Fuse Block	28	8476-620	2	Screw, Machine
9	0430-052	2	● Relay - 30 Amp	29	3430-009	1	Seal, High Tension Wire
10	0123-788	AR	Cable Tie - 7.5 in.	30	3530-054	1	Cap, Spark Plug
11	8476-625	7	Screw, Machine	31	3409-031	1	Cover, Spark Plug Cap
12	0623-038	6	Nut w/Washer	32	3409-030	1	Seal, Spark Plug Cap
13	0445-058	1	Solenoid	33	0423-493	2	Nut, Hex
14	0445-062	1	Cable, Battery/Solenoid	34	0409-064	1	Switch, Invert Sensor
15	0445-064	1	Cable, Solenoid/Starter (inc. 16)	35	8468-425	2	Screw, Machine
16	0645-019	1	● Boot, Terminal	36	0123-802	2	Washer
17	0645-327	1	Boot, Terminal	*	0644-347	1	Wrench, Spark Plug
18	0123-903	AR	Cable Tie - 11.5 in.				



CYLINDER HEAD COVER ASSEMBLY

0741-260

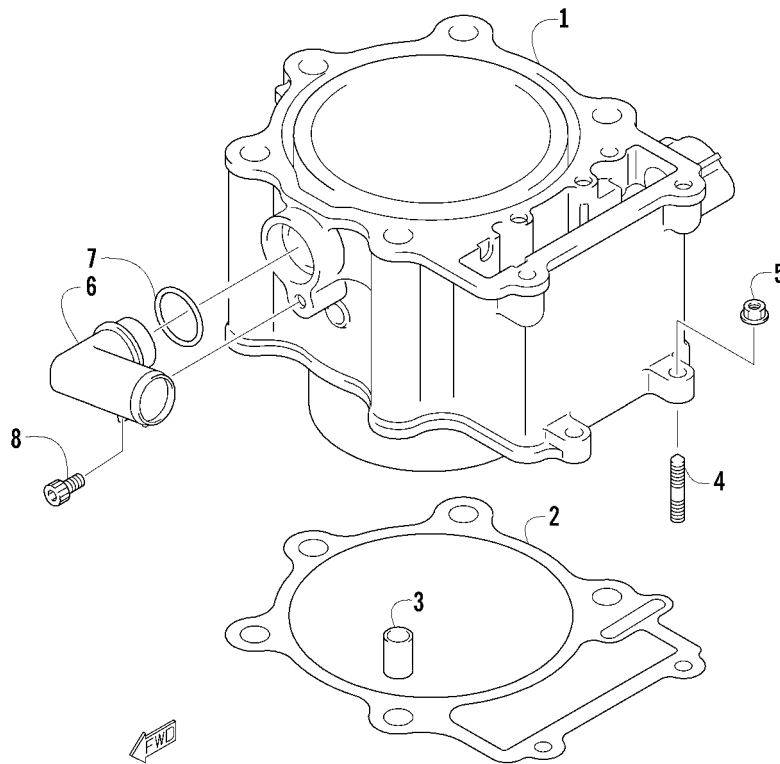
Ref.	Part No.	Qty.	Description	Ref.	Part No.	Qty.	Description
1	3403-053	1	Cover, Cylinder Head	3	3423-646	4	Bolt
2	3403-054	1	Gasket, Cylinder Head Cover	4	3423-680	4	Washer



CYLINDER HEAD ASSEMBLY

0741-262

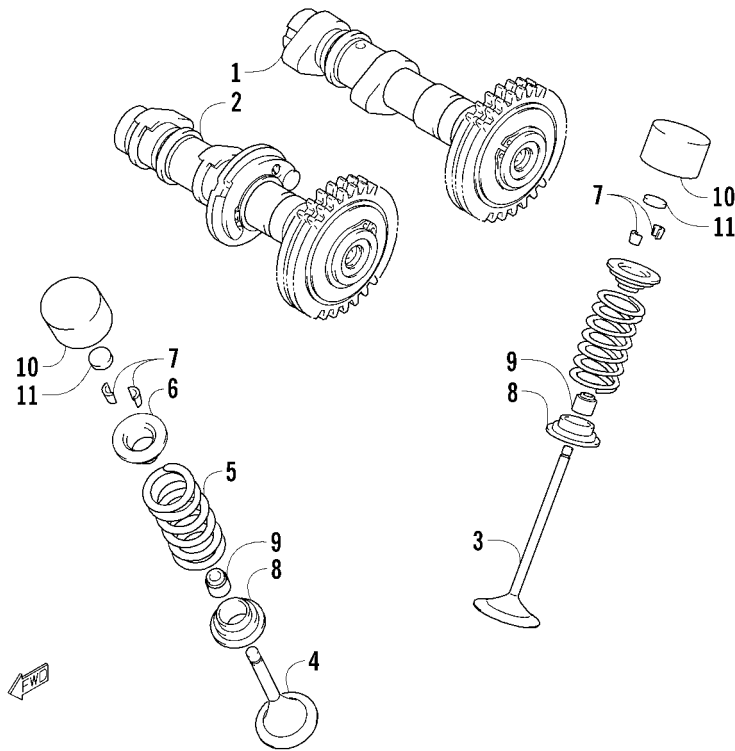
Ref.	Part No.	Qty.	Description	Ref.	Part No.	Qty.	Description
1	3403-055	1	Head, Cylinder - Assembly (inc. 2-3)	13	3403-058	1	Pipe, Intake - Assembly
2	3423-794	8	● Screw, Cap	14	3423-797	2	Screw, Cap
3	3423-043	4	● Pin	15	3402-236	1	Clamp, Intake Pipe
4	3403-056	4	Guide, Valve	16	3530-046	1	Switch, Coolant Temperature
5	3403-057	1	Gasket, Cylinder Head	17	3530-047	1	Gasket, Coolant Temperature Switch
6	3423-795	5	Screw, Cap	18	3413-038	1	Cover, Thermostat
7	3006-650	2	Screw, Cap	19	3413-039	1	Thermostat
8	3423-796	2	Screw, Cap	20	3423-175	2	Screw, Cap
9	3423-088	2	Pin, Dowel	21	3423-798	1	Plate, Engine Mounting Damper
10	3423-389	1	Plug, Cylinder Head	22	3403-059	1	Damper, Engine Mounting
11	3003-290	1	O-Ring	23	3403-060	1	Stopper, Engine Mounting
12	0217-632	1	Spark Plug (NGK CR6E)	24	3007-407	2	Screw, Cap



CYLINDER ASSEMBLY

0741-263

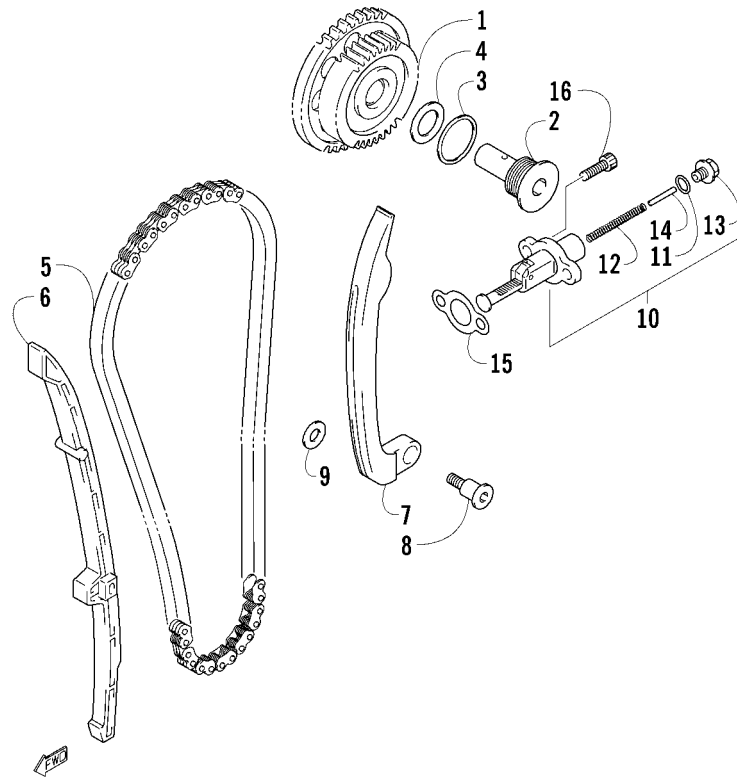
Ref.	Part No.	Qty.	Description	Ref.	Part No.	Qty.	Description
1	3403-214	1	Cylinder	5	3007-373	2	Nut
2	3403-062	1	Gasket, Cylinder	6	3413-040	1	Union, Water Hose
3	3423-088	2	Pin, Dowel	7	3423-058	1	O-Ring
4	3423-384	2	Bolt, Stud	8	3423-121	1	Screw, Machine



CAMSHAFT/VALVE ASSEMBLY

0741-269

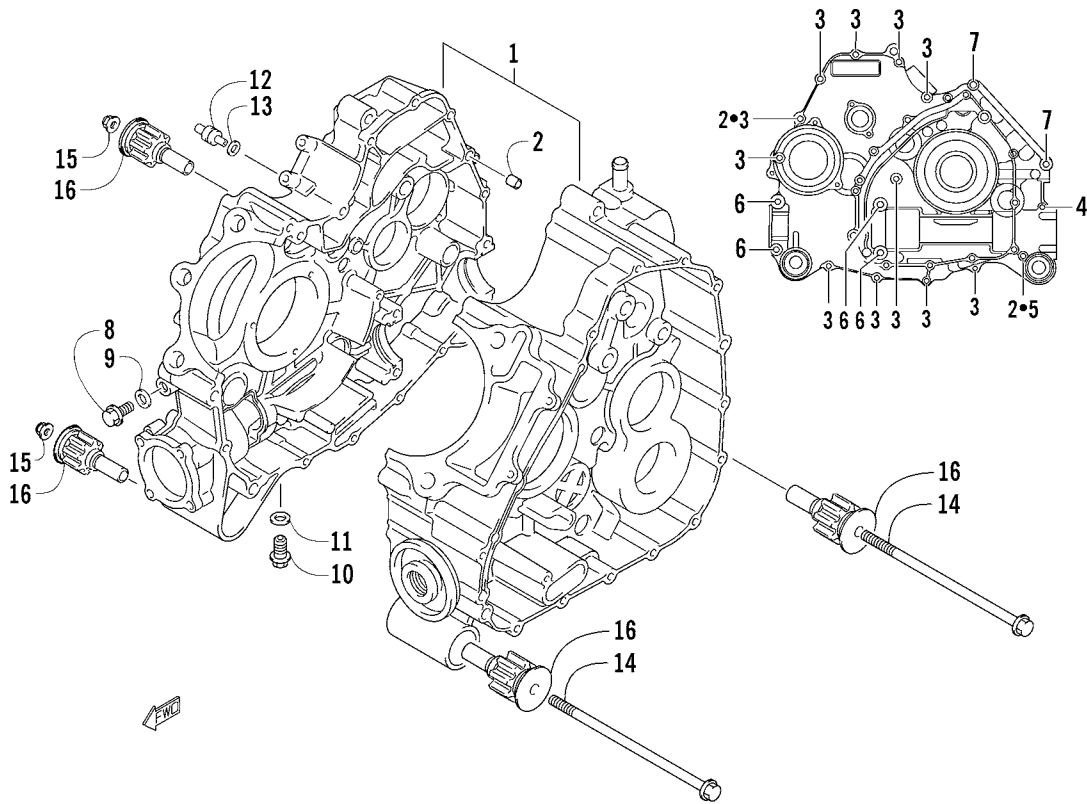
Ref.	Part No.	Qty.	Description	Ref.	Part No.	Qty.	Description
1	3403-099	1	Camshaft - Intake	3402-860	AR		Shim, Tappet - 2.70 mm
2	3403-100	1	Camshaft - Exhaust	3402-861	AR		Shim, Tappet - 2.75 mm
3	3403-101	2	Valve, Intake	3402-862	AR		Shim, Tappet - 2.80 mm
4	3403-102	2	Valve, Exhaust	3402-863	AR		Shim, Tappet - 2.85 mm
5	3403-103	4	Spring, Valve	3402-864	AR		Shim, Tappet - 2.90 mm
6	3402-934	4	Retainer, Valve Spring	3402-865	AR		Shim, Tappet - 2.95 mm
7	0693-281	8	Cotter, Valve	3402-866	AR		Shim, Tappet - 3.00 mm
8	3402-880	4	Seat, Valve Spring	3402-867	AR		Shim, Tappet - 3.05 mm
9	3402-226	4	Seal, Oil	3402-868	AR		Shim, Tappet - 3.10 mm
10	3402-851	4	Tappet	3402-869	AR		Shim, Tappet - 3.15 mm
11	3402-852	AR	Shim, Tappet - 2.30 mm	3402-870	AR		Shim, Tappet - 3.20 mm
	3402-853	AR	Shim, Tappet - 2.35 mm	3402-871	AR		Shim, Tappet - 3.25 mm
	3402-854	AR	Shim, Tappet - 2.40 mm	3402-872	AR		Shim, Tappet - 3.30 mm
	3402-855	AR	Shim, Tappet - 2.45 mm	3402-873	AR		Shim, Tappet - 3.35 mm
	3402-856	AR	Shim, Tappet - 2.50 mm	3402-874	AR		Shim, Tappet - 3.40 mm
	3402-857	AR	Shim, Tappet - 2.55 mm	3402-875	AR		Shim, Tappet - 3.45 mm
	3402-858	AR	Shim, Tappet - 2.60 mm	3402-876	AR		Shim, Tappet - 3.50 mm
	3402-859	AR	Shim, Tappet - 2.65 mm				



CAM CHAIN ASSEMBLY

0741-270

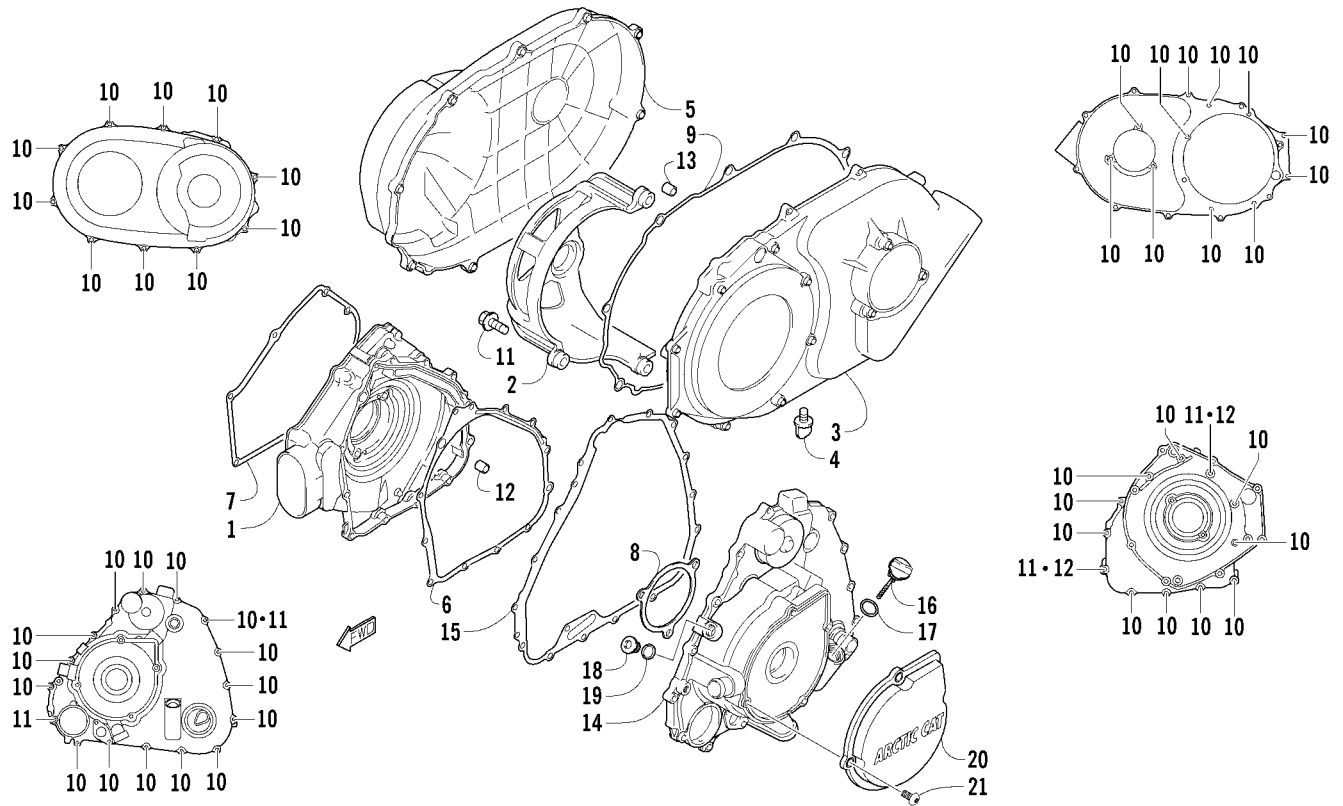
Ref.	Part No.	Qty.	Description	Ref.	Part No.	Qty.	Description
1	3403-104	1	Gear, Cam Chain Idler	7	3403-115	1	Tensioner, Cam Chain
2	3403-105	1	Shaft, Cam Chain Idler	8	3423-810	1	Bolt, Cam Chain Tensioner
3	3403-106	1	Gasket, Idler Shaft	9	3423-811	1	Washer
4	3403-107	1	Shim, Cam Chain Idler	10	3402-283	1	Adjuster, Tensioner - Assembly (inc. 11-14)
	3403-108	1	Shim, Cam Chain Idler	11	3423-286	1	● O-Ring
	3403-109	1	Shim, Cam Chain Idler	12	3402-284	1	● Spring
	3403-110	1	Shim, Cam Chain Idler	13	3402-285	1	● Plug
	3403-111	1	Shim, Cam Chain Idler	14	3402-286	1	● Bar
	3403-112	1	Shim, Cam Chain Idler	15	3402-287	1	Gasket, Tensioner Adjuster
5	3403-113	1	Chain, Cam	16	3004-576	2	Screw, Machine
6	3403-114	1	Guide, Chain				



CRANKCASE ASSEMBLY

0741-264

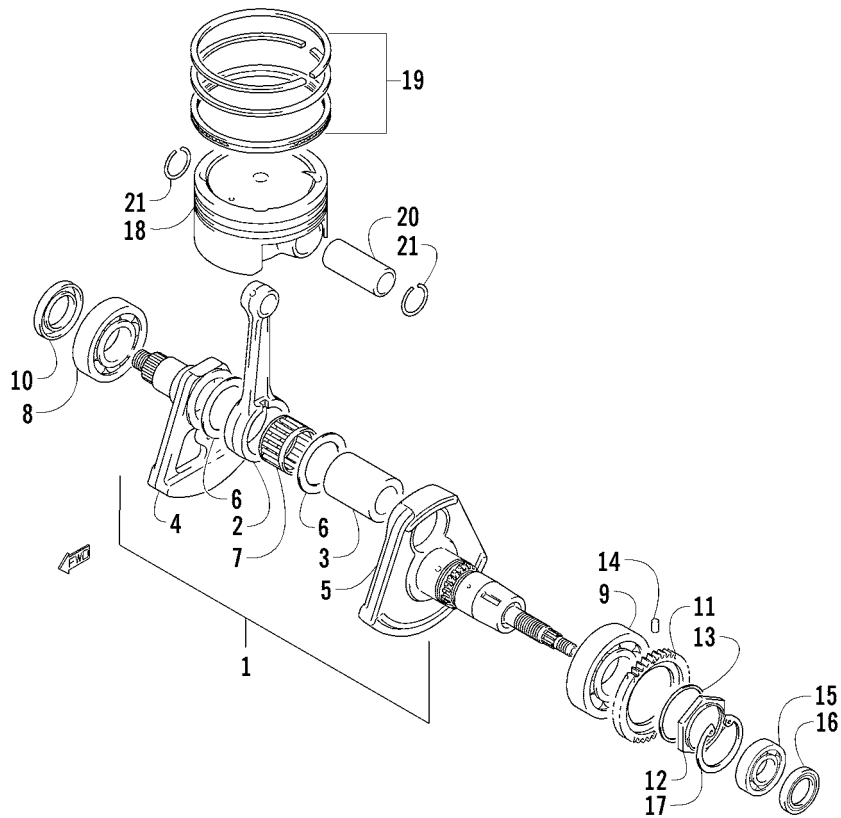
Ref.	Part No.	Qty.	Description	Ref.	Part No.	Qty.	Description
1	3403-063	1	Crankcase Assembly (inc. 2-7)	9	3402-436	2	Gasket, Oil Gallery Plug
2	3004-822	2	● Pin	10	3403-064	1	Plug, Drain
3	3423-307	11	● Bolt	11	3402-011	1	Gasket, Drain Plug
4	3423-392	1	● Bolt	12	3403-065	1	Jet, Oil Gallery
5	3423-094	1	● Bolt	13	3423-051	1	O-Ring
6	3007-399	4	● Bolt	14	3423-456	2	Bolt, Engine Mounting
7	3004-424	2	● Bolt	15	3423-457	2	Nut, Engine Mounting
8	<u>3007-407</u>	2	Plug, Oil Gallery	16	3423-799	4	Bushing, Engine Mounting



CLUTCH/V-BELT/MAGNETO COVER ASSEMBLY

0742-498

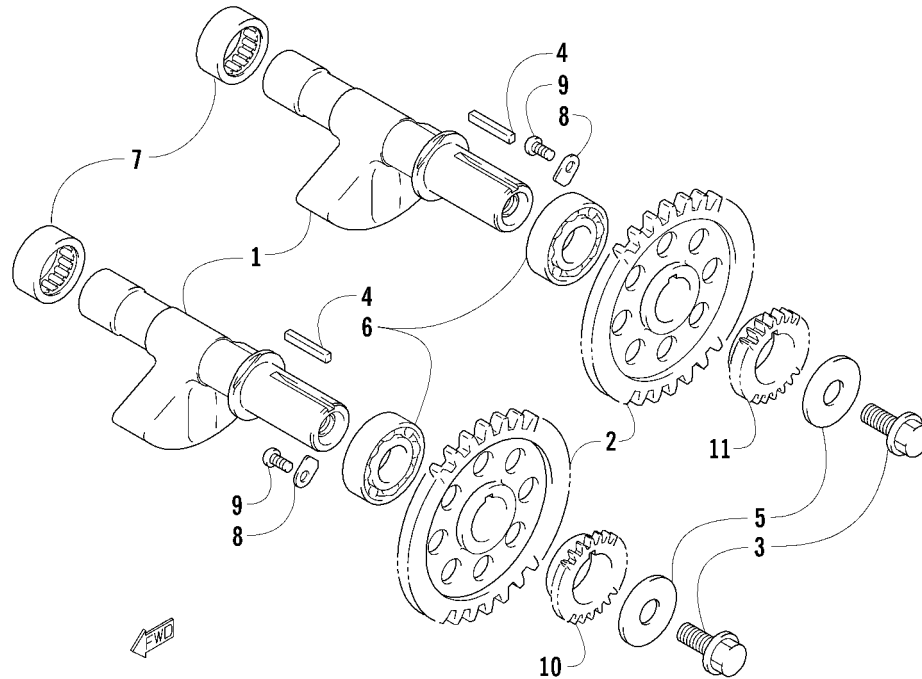
Ref.	Part No.	Qty.	Description	Ref.	Part No.	Qty.	Description
1	3403-066	1	Cover, Clutch	12	3004-822	4	Pin
2	3403-067	1	Housing, V-Belt Bearing	13	3423-610	2	Pin
3	3403-068	1	Cover, V-Belt - Inner	14	3403-074	1	Cover, Magneto
4	3423-800	1	Plug	15	3403-075	1	Gasket, Magneto Cover
5	3403-069	1	Cover, V-Belt - Outer	16	3402-438	1	Gauge, Oil Level
6	3403-070	1	Gasket, Clutch Cover	17	3423-055	1	O-Ring
7	3403-071	1	Gasket, V-Belt Cover - Inner - Rear	18	3402-040	1	Plug, Check
8	3403-072	1	Gasket, V-Belt Cover - Inner - Front	19	3403-200	1	Gasket, Check Plug
9	3403-073	1	Gasket, V-Belt Cover - Outer	20	0820-062	1	Cover, Magneto - Outer
10	3007-369	46	Bolt	21	0826-008	4	Screw, Machine
11	0693-327	6	Bolt				



CRANKSHAFT ASSEMBLY

0741-266

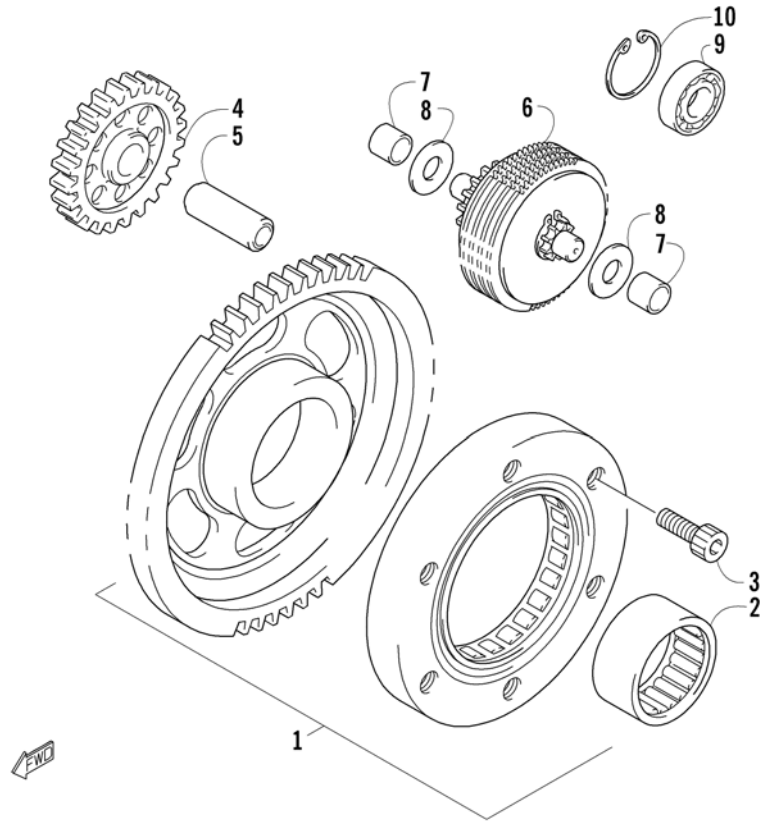
Ref.	Part No.	Qty.	Description	Ref.	Part No.	Qty.	Description
1	3403-221	1	Crankshaft Assembly (inc. 2-7)	12	3423-802	1	Nut, Crank Balancer Drive Gear
2	3403-077	1	● Rod, Connecting	13	3423-803	1	Washer
3	3403-078	1	● Pin, Crank	14	3423-047	1	Pin
4	3403-222	1	● Crankshaft - Right	15	3402-051	1	Bearing
5	3403-223	1	● Crankshaft - Left	16	3403-085	1	Seal, Oil
6	3423-801	2	● Washer	17	3423-826	1	Circlip
7	3403-081	1	● Bearing	18	3403-086	1	Piston
8	3403-082	1	Bearing - Right	19	3403-087	1	Ring, Piston - Set
9	3403-083	1	Bearing - Left	20	3403-088	1	Pin, Piston
10	3402-573	1	Seal, Oil	21	3423-344	2	Circlip, Piston Pin
11	3403-084	1	Gear, Drive - Crank Balancer				



CRANK BALANCER ASSEMBLY

0741-268

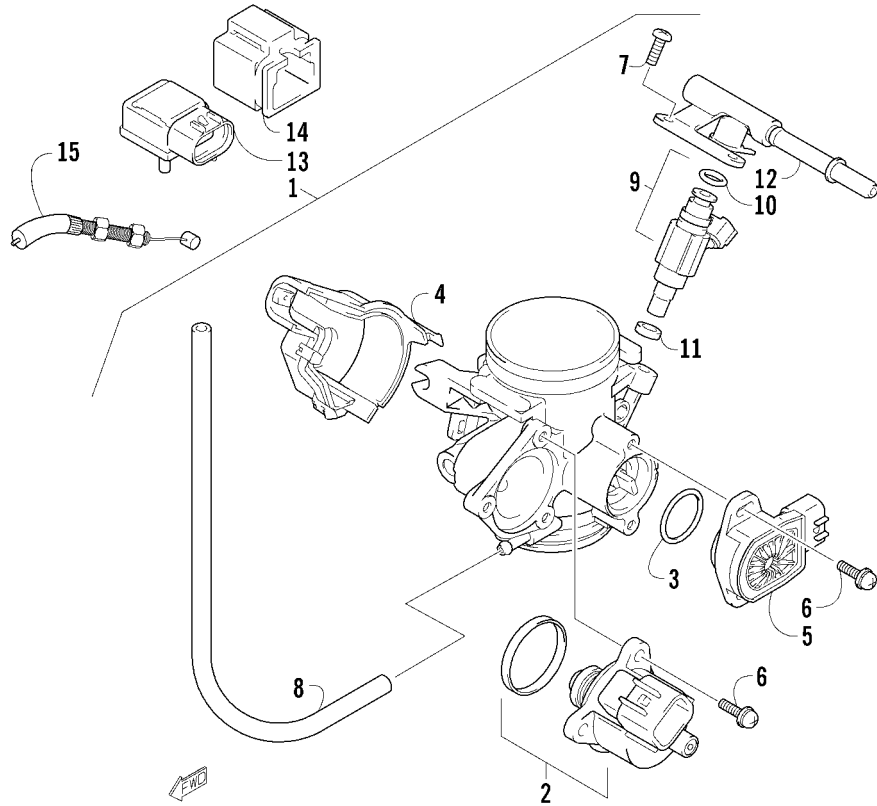
Ref.	Part No.	Qty.	Description	Ref.	Part No.	Qty.	Description
1	3403-093	2	Balancer, Crank	7	3403-096	2	Bearing
2	3403-094	2	Gear, Driven - Crank Balancer	8	3446-031	4	Retainer, Bearing - Crank Balancer
3	3423-555	2	Bolt	9	3423-370	4	Bolt
4	3423-808	2	Key	10	3403-097	1	Sprocket, Drive - Oil Pump
5	3423-401	2	Washer	11	3403-098	1	Gear, Drive - Water Pump
6	3403-095	2	Bearing				



STARTER CLUTCH ASSEMBLY

0741-267

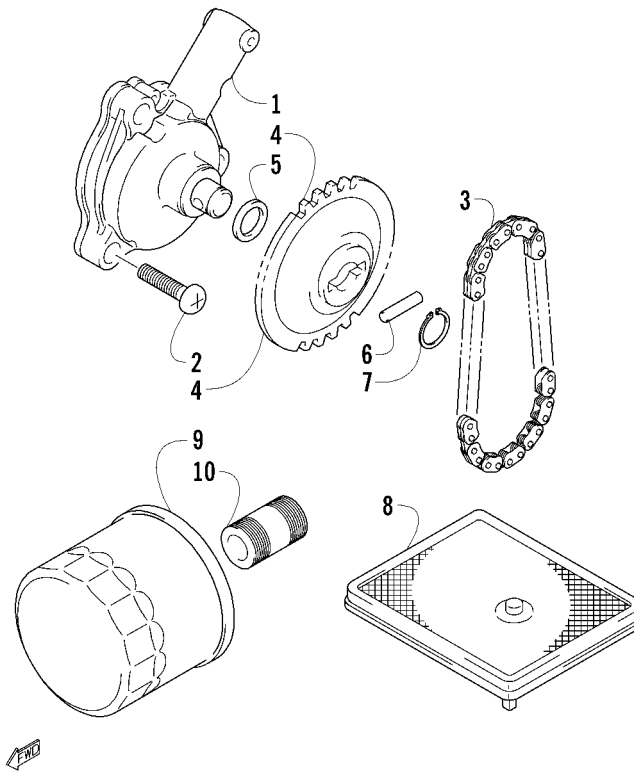
Ref.	Part No.	Qty.	Description	Ref.	Part No.	Qty.	Description
1	3403-089	1	Clutch, Starter - Set (inc. 2)	6	3403-092	1	Limiter, Starter Idler Gear No. 2
2	3403-090	1	● Bearing	7	3423-806	2	Bushing, Limiter Gear Shaft
3	3423-509	1	Bolt	8	3423-103	2	Washer
4	3403-091	1	Gear, Starter Idler - No. 2	9	3402-043	1	Bearing
5	3423-805	1	Pin, Starter Idler Gear No. 2	10	3423-807	1	Circlip



THROTTLE BODY ASSEMBLY

0741-277

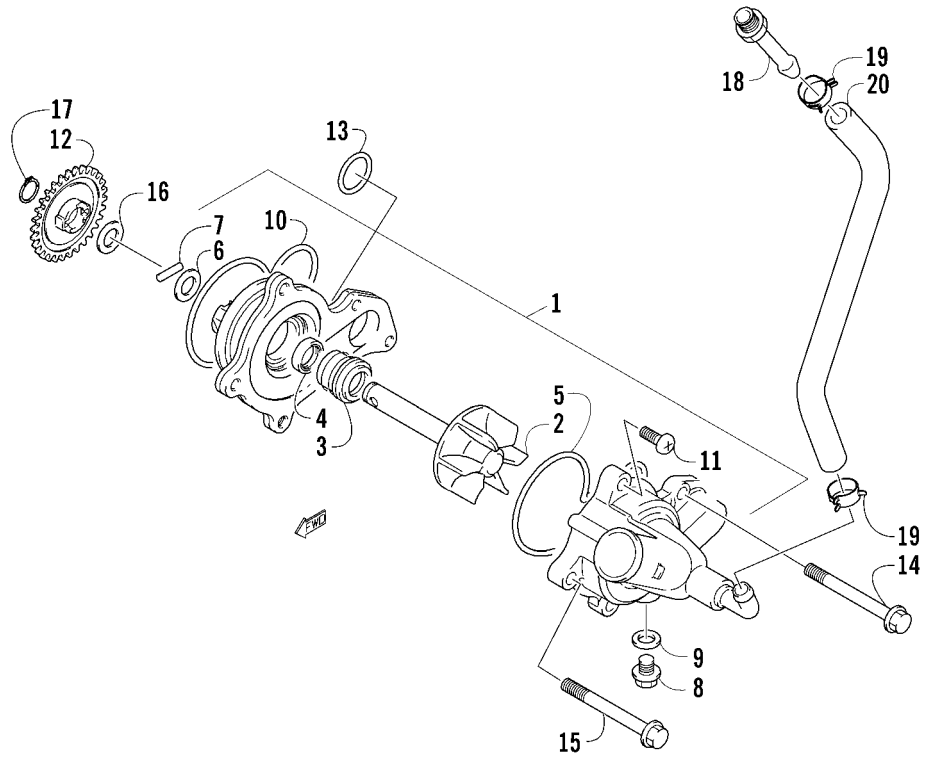
Ref.	Part No.	Qty.	Description	Ref.	Part No.	Qty.	Description
1	3403-116	1	Body, Throttle - Assembly (inc. 2-12)	9	3403-120	1	● Injector - Assembly (inc. 10)
2	3403-117	1	● ISC Valve	10	3423-815	1	●● O-Ring
3	3423-812	1	● O-Ring	11	3403-121	1	● Seal
4	3403-118	1	● Cover	12	3403-122	1	● Delivery Pipe
5	3530-048	1	● Sensor - Assembly	13	3530-049	1	Sensor, Air Pressure
6	3423-813	5	● Screw	14	3530-050	1	Holder, Air Pressure Sensor
7	3423-814	2	● Screw	15	0487-032	1	Cable, Throttle
8	3403-119	1	● Hose				



OIL FILTER/PUMP ASSEMBLY

0741-280

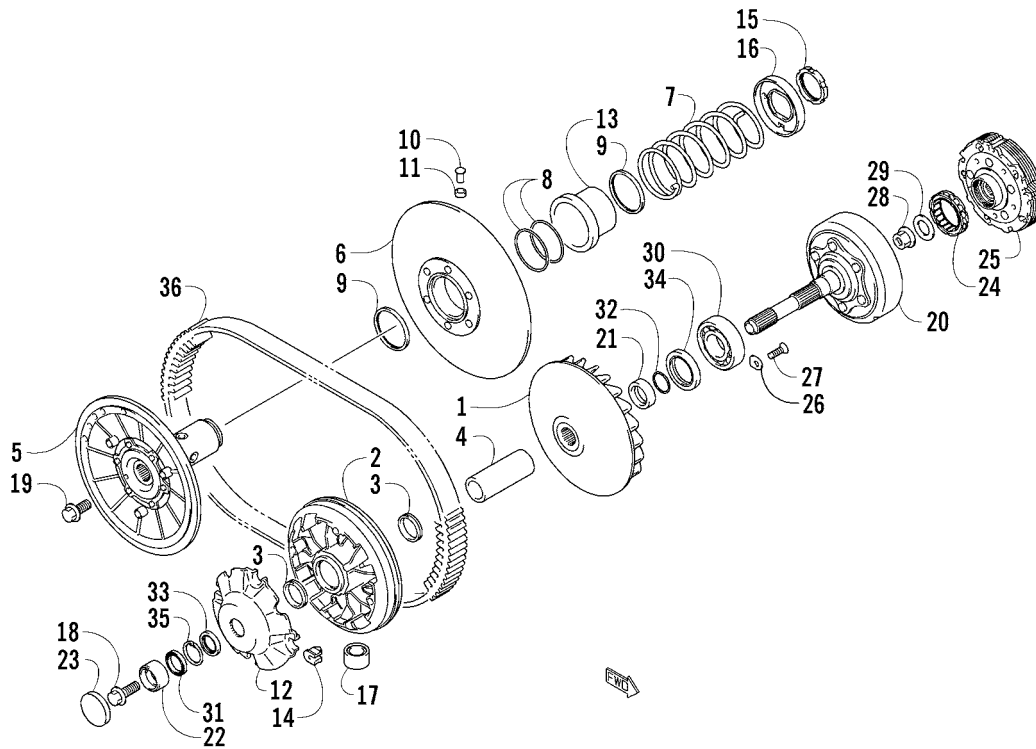
Ref.	Part No.	Qty.	Description	Ref.	Part No.	Qty.	Description
1	3403-123	1	Pump, Oil	6	3423-046	1	Pin
2	3423-510	3	Screw, Machine	7	3423-184	1	Circlip
3	3403-124	1	Chain, Drive	8	3403-126	1	Strainer, Oil
4	3403-125	1	Sprocket, Drive Chain	9	0812-029	1	Filter, Oil
5	3423-443	1	Washer	10	<u>3403-219</u>	1	Union, Oil Filter



WATER PUMP ASSEMBLY

0741-281

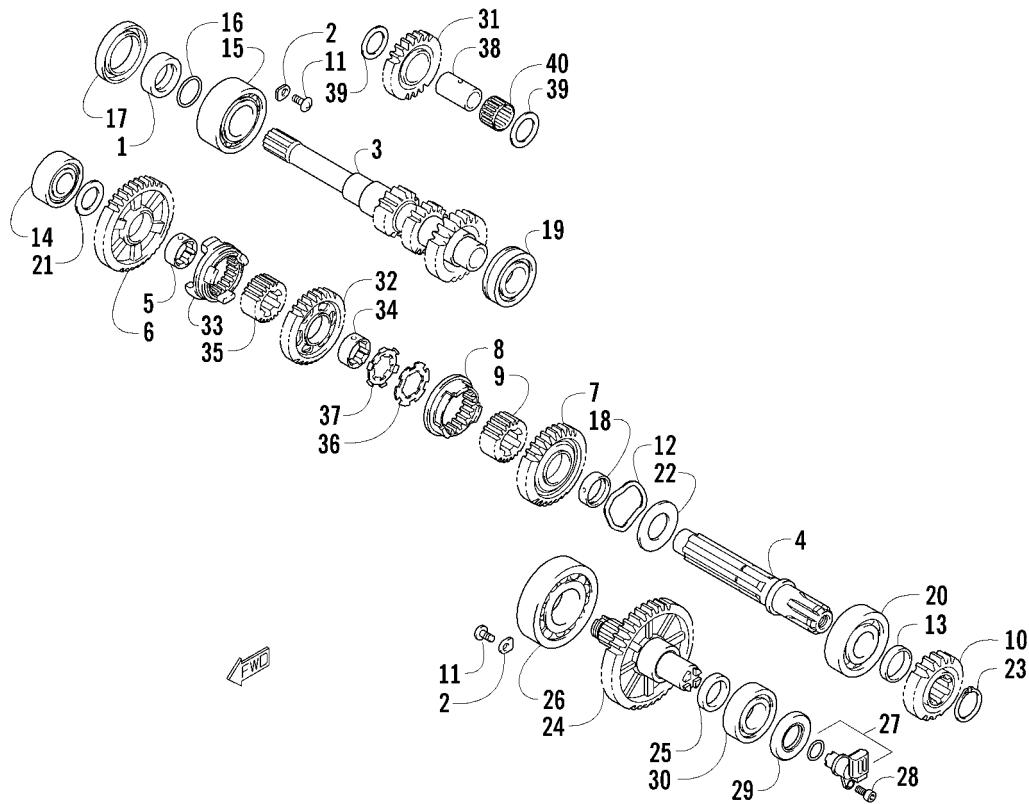
Ref.	Part No.	Qty.	Description	Ref.	Part No.	Qty.	Description
1	3403-128	1	Pump, Water - Assembly (inc. 2-11)	11	3003-484	1	● Screw
2	3413-041	1	● Impeller	12	3403-129	1	Gear, Driven - Water Pump
3	3005-909	1	● Seal, Mechanical	13	3004-521	1	O-Ring
4	3406-143	1	● Seal, Oil	14	3423-091	1	Bolt
5	3423-816	1	● O-Ring	15	3007-370	1	Bolt
6	3423-772	1	● Washer	16	3423-443	1	Washer
7	3423-817	1	● Pin	17	3423-184	1	Circlip
8	3423-185	1	● Bolt	18	3007-075	1	Fitting, Coolant Bypass
9	3402-436	1	● Washer	19	3423-855	2	Clamp
10	3423-818	1	● O-Ring	20	3410-022	1	Hose, Coolant Bypass



TRANSMISSION ASSEMBLY

0741-283

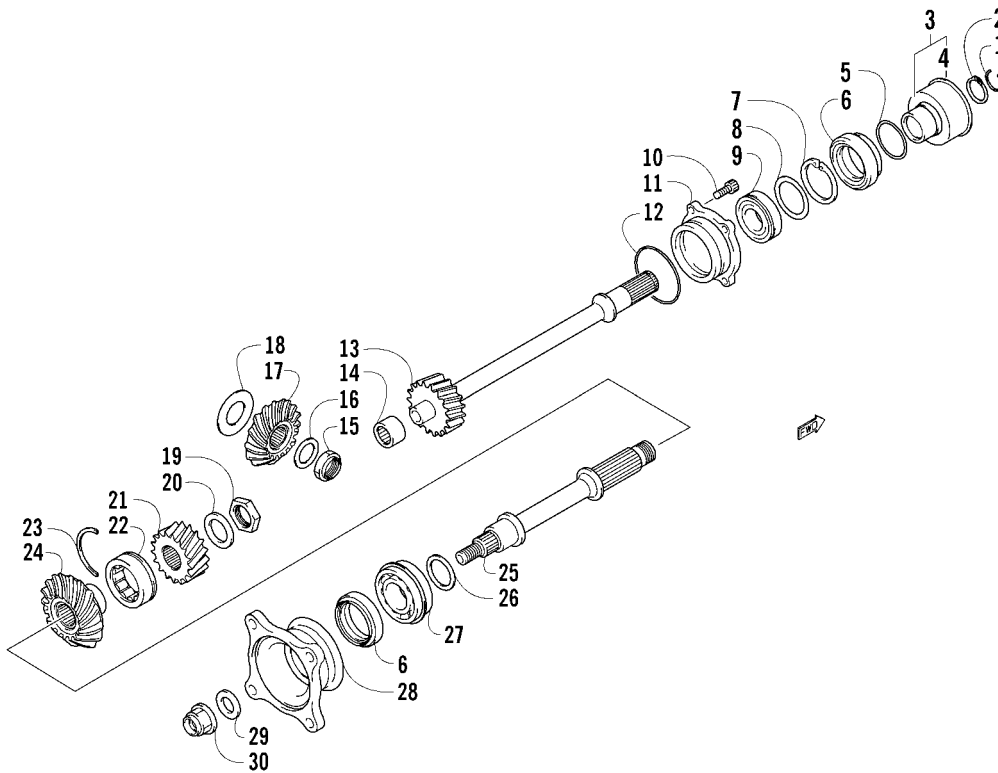
Ref.	Part No.	Qty.	Description	Ref.	Part No.	Qty.	Description
1	3403-130	1	Face, Fixed Drive	19	3423-820	1	Bolt, Driven Face
2	3403-131	1	Face, Movable Drive	20	3403-138	1	Housing, Clutch
3	3403-132	2	Seal, Movable Drive Face	21	3423-821	1	Spacer, Primary Shaft
4	3423-843	1	Spacer, Movable Drive Face	22	3423-822	1	Spacer, Clutch Housing
5	3403-133	1	Face, Fixed Driven	23	3423-823	1	Cap, V-Belt Bearing
6	3403-134	1	Face, Movable Driven	24	3446-003	1	Clutch, One-Way
7	3402-474	1	Spring, Movable Driven Face	25	3403-139	1	Centrifugal Clutch - Assembly
8	3402-475	2	O-Ring, Movable Driven Face	26	3423-824	2	Retainer, Bearing
9	3403-135	2	Seal, Movable Driven Face	27	3423-018	2	Screw, Bearing Retainer
10	3402-477	4	Pin, Movable Driven Face	28	3423-501	1	Nut
11	3402-478	4	Spacer, Movable Driven Face	29	3423-825	1	Washer
12	3403-136	1	Plate, Movable Drive Face	30	3402-221	1	Bearing, Clutch Housing - Left
13	3402-756	1	Sheet, Movable Driven Face	31	3403-140	1	Bearing, Clutch Housing - Right
14	3402-481	4	Damper, Movable Drive Face	32	3423-831	1	O-Ring
15	3423-406	1	Nut, Driven Pulley Spring	33	3403-173	1	Seal, Clutch Housing - Right
16	3402-482	1	Holder, Movable Driven Face	34	3403-148	1	Seal, Clutch Housing - Left
17	3403-137	8	Roller, Movable Driven Face	35	3423-826	1	Circlip, Clutch Housing
18	3423-819	1	Bolt, Drive Face	36	3403-141	1	V-Belt



SECONDARY TRANSMISSION ASSEMBLY

0741-285

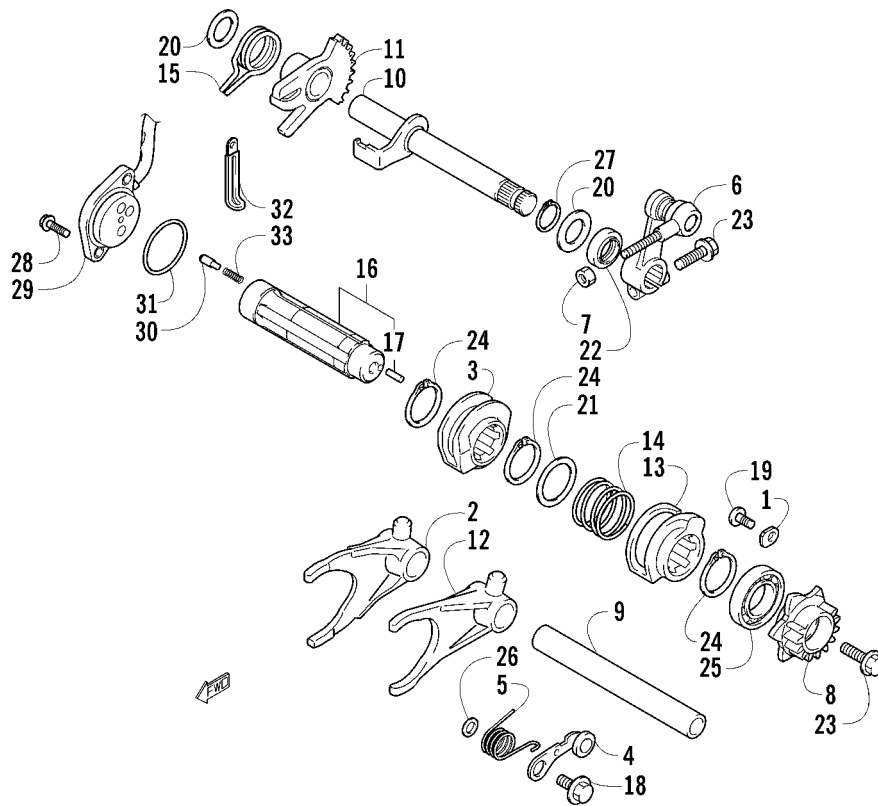
Ref.	Part No.	Qty.	Description	Ref.	Part No.	Qty.	Description
1	3423-821	1	Spacer, Driveshaft	21	3423-832	1	Washer, Driven Gear - Right
2	3446-031	4	Retainer, Driveshaft	22	3423-833	1	Washer, Driven Gear - Left
3	3403-142	1	Driveshaft	23	3423-191	1	Circlip
4	3403-143	1	Countershaft	24	3403-149	1	Shaft, Output
5	3446-380	1	Bushing, Driven Gear - Low	25	3402-207	1	Spacer, Output Shaft
6	3403-144	1	Gear, Driven - Low	26	3403-150	1	Bearing, Output Shaft - Right
7	3403-145	1	Gear, Driven - High	27	3530-051	1	Sensor, Speedometer
8	3403-146	1	Dog, Gear Shift - High	28	3423-614	1	Screw, Machine
9	3423-828	1	Spacer	29	3403-151	1	Seal, Output Shaft - Left
10	3403-147	1	Gear, Drive	30	3004-209	1	Bearing, Output Shaft - Left
11	3423-370	4	Screw, Retainer	31	3403-152	1	Gear, Reverse Idler
12	3423-829	1	Washer	32	3403-153	1	Gear, Reverse Driven
13	3423-830	1	Spacer	33	3403-154	1	Dog, Select
14	3402-979	1	Bearing	34	3446-380	1	Bushing, Reverse Driven Gear
15	3402-499	1	Bearing	35	3423-828	1	Spacer, Reverse Select
16	3423-831	1	O-Ring	36	3423-262	1	Washer, Lock
17	3403-148	1	Seal, Driveshaft	37	3423-266	1	Washer, Lock
18	3423-547	1	Bushing, Driven Gear	38	3403-155	1	Shaft, Reverse Idler
19	3004-209	1	Bearing, Driveshaft - Left	39	3402-195	1	Washer, Reverse Idler Gear
20	3402-219	1	Bearing, Countershaft - Left	40	3403-156	1	Bearing, Reverse Idler Gear



SECONDARY DRIVE ASSEMBLY

0741-286

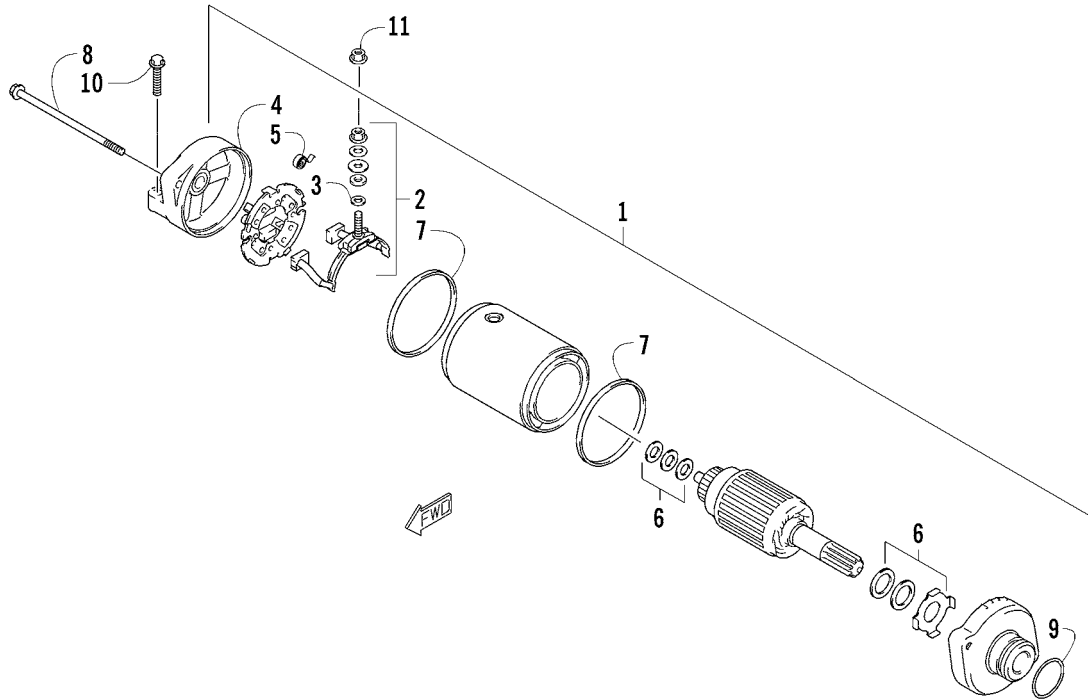
Ref.	Part No.	Qty.	Description	Ref.	Part No.	Qty.	Description
1	3423-069	1	C-Ring, Secondary Driven Output	22	3402-515	1	Bearing, Secondary Driven Gear
2	3423-191	1	Circlip, Front Drive Output	23	3423-072	1	Ring, Secondary Driven Gear
3	3423-835	1	Collar, Front Drive Output (inc. 4)	24	3403-158	1	Gear, Secondary Driven Bevel
4	3423-836	1	● Plate, Front Drive Output Collar	25	3403-161	1	Shaft, Secondary Output - Rear
5	3423-837	1	O-Ring, Front Drive Output	26	3402-017	AR	Shim, 25 x 34 x 0.60 mm
6	3402-072	2	Seal, Output Shaft		3402-018	AR	Shim, 25 x 34 x 0.65 mm
7	3423-194	1	Circlip, Front Drive Output Shaft		3402-019	AR	Shim, 25 x 34 x 0.70 mm
8	3423-845	1	Washer, Front Drive Output Yoke		3402-020	AR	Shim, 25 x 34 x 0.75 mm
9	3004-209	1	Bearing, Front Drive Output		<u>3403-217</u>	AR	Shim, 25 x 34 x 0.80 mm
10	3004-576	1	Bolt, Front Bearing Housing		3402-022	AR	Shim, 25 x 34 x 0.85 mm
11	3403-160	1	Housing, Front Drive Output Shaft		3402-023	AR	Shim, 25 x 34 x 0.90 mm
12	3423-838	1	O-Ring, Front Bearing Housing		3402-024	AR	Shim, 25 x 34 x 0.95 mm
13	<u>3403-216</u>	1	Shaft, Secondary Output - Front		3423-421	AR	Shim, 25 x 34 x 1.00 mm
14	3403-175	1	Bearing, Front Drive Output - Rear		3402-028	AR	Shim, 25 x 34 x 1.05 mm
15	3423-023	1	Nut, Secondary Drive Output		3402-029	AR	Shim, 25 x 34 x 1.10 mm
16	3005-372	1	Washer, Secondary Drive Bevel		3402-030	AR	Shim, 25 x 34 x 1.15 mm
17	3403-157	1	Gear, Secondary Drive Bevel		3402-031	AR	Shim, 25 x 34 x 1.20 mm
18	3423-549	AR	Shim, Secondary Drive Bevel - Set	27	3403-210	1	Bearing, Rear Output Shaft
19	3423-136	1	Nut, Secondary Driven Output	28	3402-514	1	Flange, Rear Output Joint
20	3423-137	1	Washer, Output Shaft Gear	29	3423-028	1	Washer, Rear Drive Output Yoke
21	<u>3403-215</u>	1	Gear, Secondary Driven Output	30	3423-025	1	Nut, Rear Drive Output Yoke



GEAR SHIFTING ASSEMBLY

0741-290

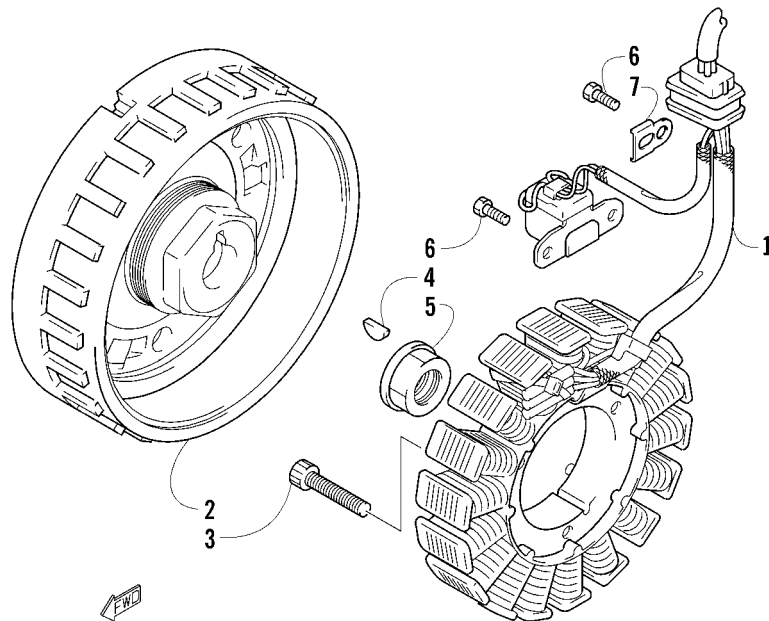
Ref.	Part No.	Qty.	Description	Ref.	Part No.	Qty.	Description
1	3446-031	2	Retainer, Shift Cam	18	3423-652	1	Bolt, Shift Cam
2	3446-423	1	Fork, Reverse Gear Shift	19	3423-370	2	Screw, Shift Retainer
3	3403-163	1	Cam, Reverse Gear Shift	20	3423-445	2	Washer, Shift Shaft
4	3403-164	1	Stopper, Shift Cam	21	3402-382	1	Washer, Shift Fork Spring
5	3423-839	1	Spring, Shift Cam Stopper	22	3402-068	1	Seal, Shift Shaft
6	3403-165	1	Arm, Select	23	3004-341	2	Bolt, Gear Shift
7	0693-489	1	Nut, Select Arm	24	3423-191	3	Circlip, Gear Shift Shaft
8	3403-166	1	Plate, Gear Shift Cam Stopper	25	3403-172	1	Bearing, Gear Shift Shaft
9	3403-167	1	Shaft, Gear Shift	26	3423-124	1	Washer, Shift Cam Stopper
10	3403-168	1	Shaft, Shift - No. 2	27	3423-546	1	Circlip, Shift Shaft
11	3403-169	1	Gear, Shift Shaft	28	3423-418	2	Bolt, Gear Shift Switch
12	3446-424	1	Fork, Gear Shift	29	3530-052	1	Base, Gear Shift Switch
13	3403-170	1	Cam, Gear Shift	30	3423-044	2	Contact, Gear Shift Switch
14	3423-840	1	Spring, Shift Fork	31	3423-842	1	O-Ring, Gear Shift Switch
15	3423-841	1	Spring, Shift Shaft Return	32	3004-787	2	Clamp, Gear Shift Switch Lever
16	3403-171	1	Shaft, Gear Shift (inc. 17)	33	3402-087	2	Spring, Gear Shift Switch
17	3423-114	1	● Pin, Gear Shift				



STARTER MOTOR ASSEMBLY

0741-291

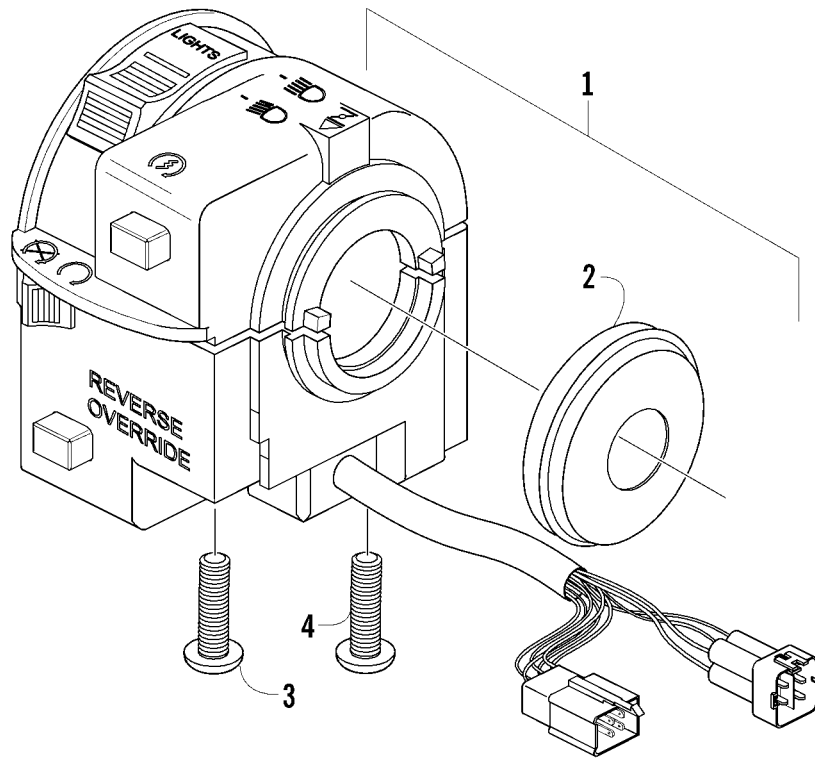
Ref.	Part No.	Qty.	Description	Ref.	Part No.	Qty.	Description
1	3545-020	1	Motor, Starter - Assembly (inc. 2-9)	7	3008-101	2	● O-Ring
2	3008-094	1	● Terminal Set, Brush (inc. 3)	8	3423-085	2	● Through-Bolt
3	3008-164	1	●● O-Ring	9	3423-272	1	● O-Ring
4	3008-095	1	● Holder Set, Brush (inc. 5)	10	3007-369	2	Screw, Cap
5	3008-096	4	●● Spring, Brush	11	3423-195	1	Nut
6	3008-099	1	● Washer Set				



MAGNETO ASSEMBLY

0741-297

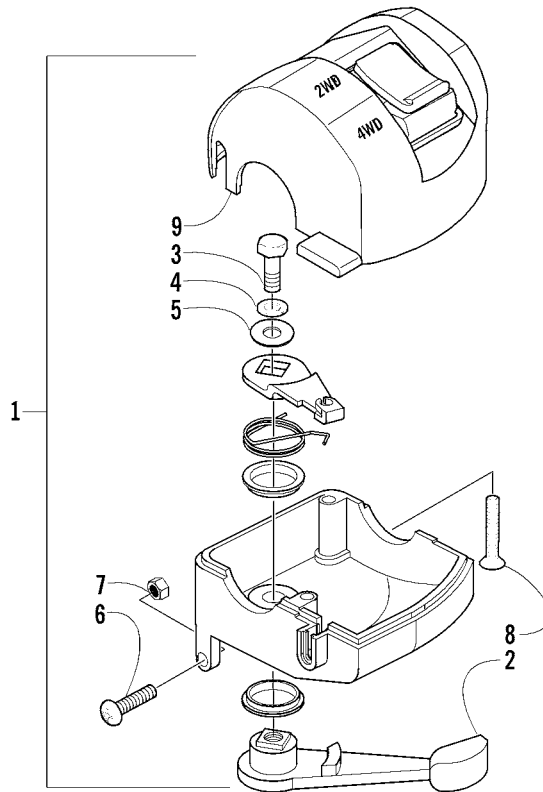
Ref.	Part No.	Qty.	Description	Ref.	Part No.	Qty.	Description
1	3430-067	1	Stator - Assembly	5	3423-086	1	Nut
2	3430-068	1	Rotor/Flywheel	6	3423-005	4	Bolt
3	3004-484	3	Screw, Cap	7	3430-005	2	Clamp, Magneto Lead
4	0691-785	1	Key				



CONTROL SWITCH HOUSING ASSEMBLY

0738-459

Ref.	Part No.	Qty.	Description	Ref.	Part No.	Qty.	Description
1	0509-014	1	Switch, Control - Assembly (inc. 2-4)	3	0409-028	1	● Screw
2	3409-019	1	● Cover, Switch Housing	4	0409-027	1	● Screw



THROTTLE CASE ASSEMBLY

0738-414

Ref.	Part No.	Qty.	Description	Ref.	Part No.	Qty.	Description
1	0509-012	1	Case, Throttle - Assembly (inc. 2-9)	6	3423-014	1	● Screw
2	3409-001	1	● Lever	7	3423-327	1	● Nut
3	3004-533	1	● Screw, Cap	8	3423-199	2	● Screw
4	3004-447	1	● Washer, Lock	9	0409-048	1	● Cover, Throttle Case w/Switch
5	3003-030	1	● Washer				

