

**ARCTIC  
CAT<sup>®</sup>**

**2006**

**650 H1 SE**

**(Automatic Transmission)**



Model Number A2006IBS4BUSO

**Illustrated Parts Manual**

# TABLE OF CONTENTS

## 2006 ATV 650 H1 SE

(Model No. A2006IBS4BUSO)

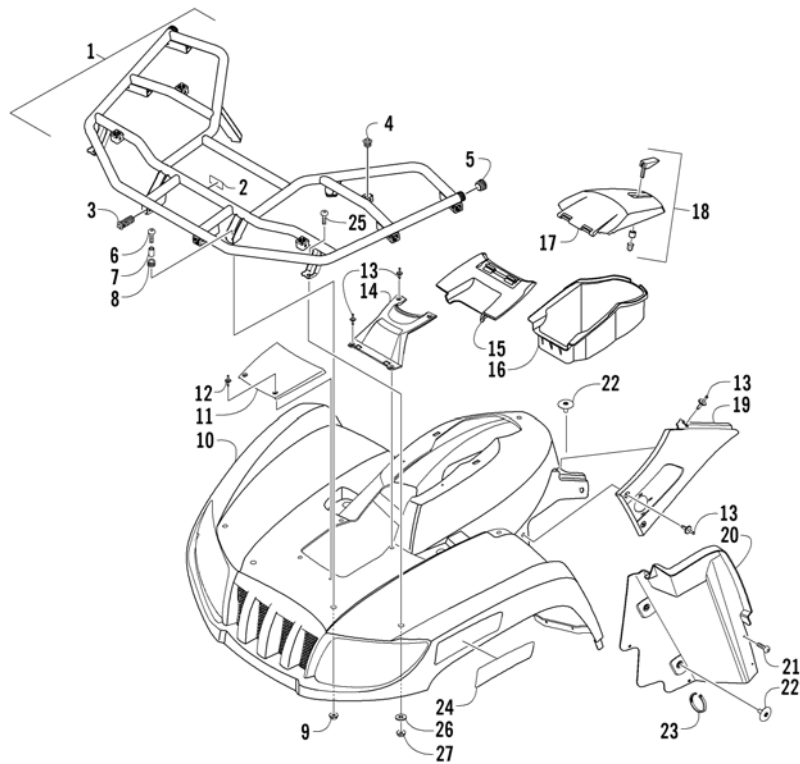
FRONT BODY PANEL ASSEMBLY .....	1
REAR BODY PANEL ASSEMBLY .....	2
TAILLIGHT ASSEMBLY .....	3
DECALS .....	4
FRAME AND RELATED PARTS .....	5
SEAT ASSEMBLY .....	6
STEERING POST ASSEMBLY .....	7
HANDLEBAR ASSEMBLY .....	8
FRONT SUSPENSION ASSEMBLY .....	9
REAR SUSPENSION ASSEMBLY .....	10
WHEEL AND TIRE ASSEMBLY .....	11
AUXILIARY BRAKE ASSEMBLY .....	12
HYDRAULIC HAND BRAKE ASSEMBLY .....	13
HYDRAULIC BRAKE ASSEMBLY .....	14
GAS TANK ASSEMBLY .....	15
REVERSE SHIFT LEVER ASSEMBLY .....	16
AIR INTAKE ASSEMBLY .....	17
BATTERY ASSEMBLY .....	18
ENGINE AND EXHAUST .....	19
COOLING ASSEMBLY .....	20
CASE/BELT COOLING ASSEMBLY .....	21
DRIVE TRAIN ASSEMBLY .....	22
FRONT DRIVE GEARCASE ASSEMBLY .....	23
REAR DRIVE GEARCASE ASSEMBLY .....	24
WIRING HARNESS ASSEMBLY .....	25
CARBURETOR .....	26
CYLINDER HEAD ASSEMBLY .....	27
CYLINDER ASSEMBLY .....	28
CRANKCASE ASSEMBLY .....	29
CLUTCH/V-BELT/MAGNETO COVER ASSEMBLY .....	30
CRANKSHAFT ASSEMBLY .....	31
STARTER CLUTCH ASSEMBLY .....	32
CRANK BALANCER ASSEMBLY .....	33
CAMSHAFT/VALVE ASSEMBLY .....	34
CAM CHAIN ASSEMBLY .....	35
RECOIL STARTER ASSEMBLY .....	36
OIL FILTER/PUMP ASSEMBLY .....	37
WATER PUMP ASSEMBLY .....	38
TRANSMISSION ASSEMBLY .....	39
SECONDARY TRANSMISSION ASSEMBLY .....	40
GEAR SHIFTING ASSEMBLY .....	41
SECONDARY DRIVE ASSEMBLY .....	42
STARTER MOTOR ASSEMBLY .....	43
MAGNETO ASSEMBLY .....	44
CONTROL SWITCH HOUSING ASSEMBLY .....	45
THROTTLE CASE ASSEMBLY .....	46
RELATED ITEMS .....	Back Cover

■ **NOTE:** The illustrations used in this Parts Manual are for reference to replacement part numbers only and are not to be used for assembly. For assembly procedures, use an Arctic Cat Service Manual. Underlined part numbers are new for the 2006 model year.

2005 Arctic Cat Inc.

Printed July 2005

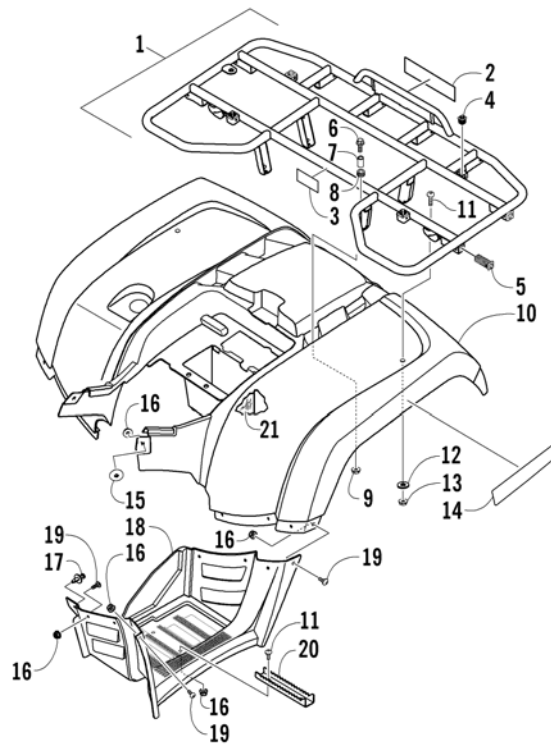
®™ Trademarks of Arctic Cat Inc., Thief River Falls, MN 56701



## FRONT BODY PANEL ASSEMBLY

0740-568

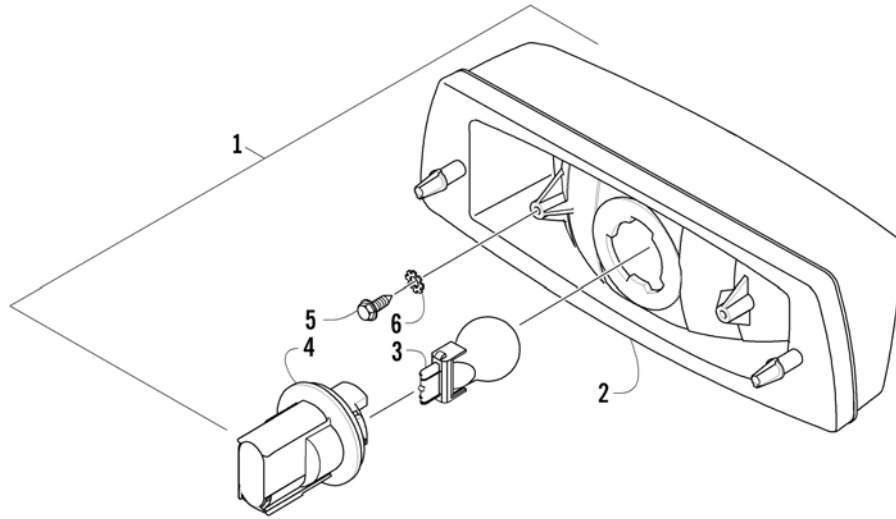
Ref.	Part No.	Qty.	Description	Ref.	Part No.	Qty.	Description
1	1506-883	1	Rack - Front - Assembly (inc. 2-5)	16	1406-573	1	Box, Storage
2	0411-576	1	● Decal, Warning - Front Rack Load	17	0470-514	1	Lid, Storage Box
3	2406-014	6	● Bushing, Rack	18	1406-599	1	Latch, Storage Box
4	0441-592	4	● Bushing, Rack	19	1406-313	1	Panel, Side - Right
5	1441-049	2	● Plug, Rack		1406-314	1	Panel, Side - Left
6	8410-830	4	Screw, Machine	20	1406-354	1	Panel, Splash - Right
7	0423-463	4	Spacer		1406-355	1	Panel, Splash - Left
8	0423-465	4	Grommet	21	0623-309	4	Screw, Self-Tapping
9	8432-802	4	Nut, Lock	22	0423-101	5	Screw, Body
10	2406-108	1	Panel, Fender - Front	23	0123-788	AR	Cable Tie - 7.5 in.
11	1406-358	1	Cover, Access	24	0411-818	1	Decal, Reflector - Front - Right
12	0423-535	2	Rivet, Reinstallable		0411-819	1	Decal, Reflector - Front - Left
13	0623-362	10	Rivet, Reinstallable	25	0423-355	2	Screw, Shoulder
14	1406-484	1	Cover, Steering Post	26	8050-222	2	Washer
15	0470-513	1	Cover, Storage Box	27	8424-602	2	Nut, Lock



## REAR BODY PANEL ASSEMBLY

0740-639

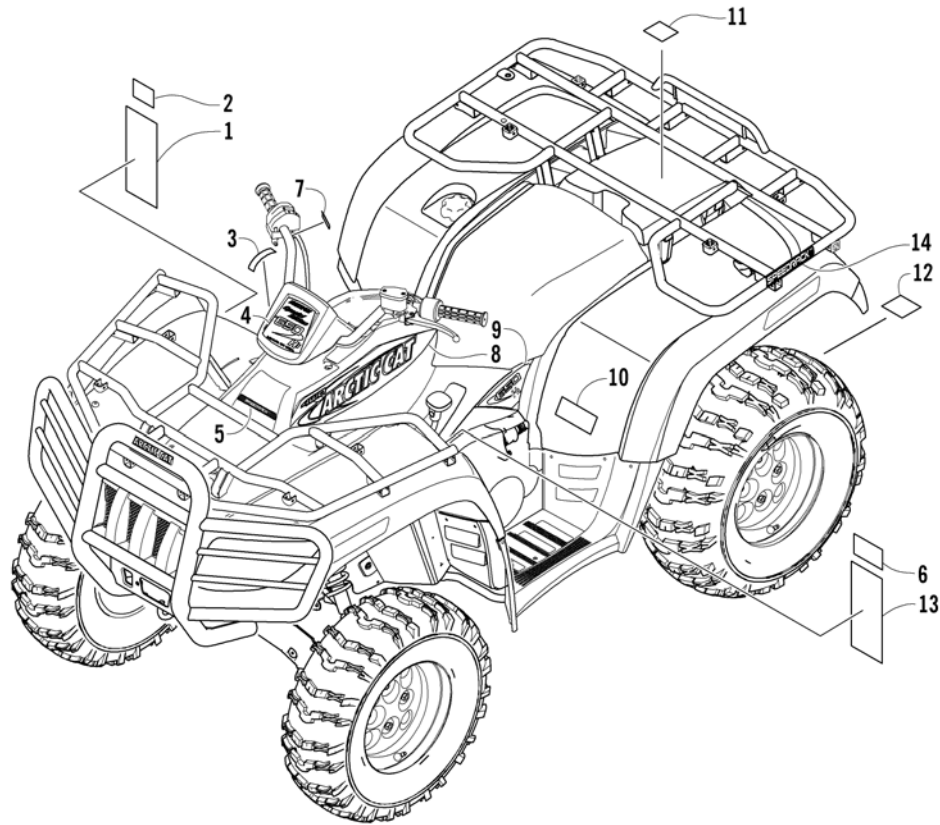
Ref.	Part No.	Qty.	Description	Ref.	Part No.	Qty.	Description
1	0541-337	1	Rack - Rear - Assembly (inc. 2-5)	13	8424-602	2	Nut, Lock
2	0411-814	1	● Decal, "Arctic Cat"	14	0411-820	1	Decal, Reflector - Rear - Right
3	0411-648	1	● Decal, Warning - Rear Rack Load		0411-821	1	Decal, Reflector - Rear - Left
4	0441-592	4	● Bushing, Rack	15	0423-101	2	Screw, Body
5	2406-014	8	● Bushing, Rack	16	0423-540	22	Nut, Lock
6	8410-830	4	Screw, Cap	17	0623-362	2	Rivet, Reinstallable
7	0423-463	4	Spacer	18	1406-356	1	Footwell - Right
8	0423-465	4	Grommet		1406-357	1	Footwell - Left
9	8432-802	4	Nut, Lock	19	0423-419	16	Screw, Machine
10	2406-109	1	Panel, Fender - Rear	20	1506-125	2	Footpeg
11	0423-355	6	Screw, Shoulder	21	0412-296	1	Shield, Heat
12	8050-222	2	Washer				



## TAILLIGHT ASSEMBLY

0739-667

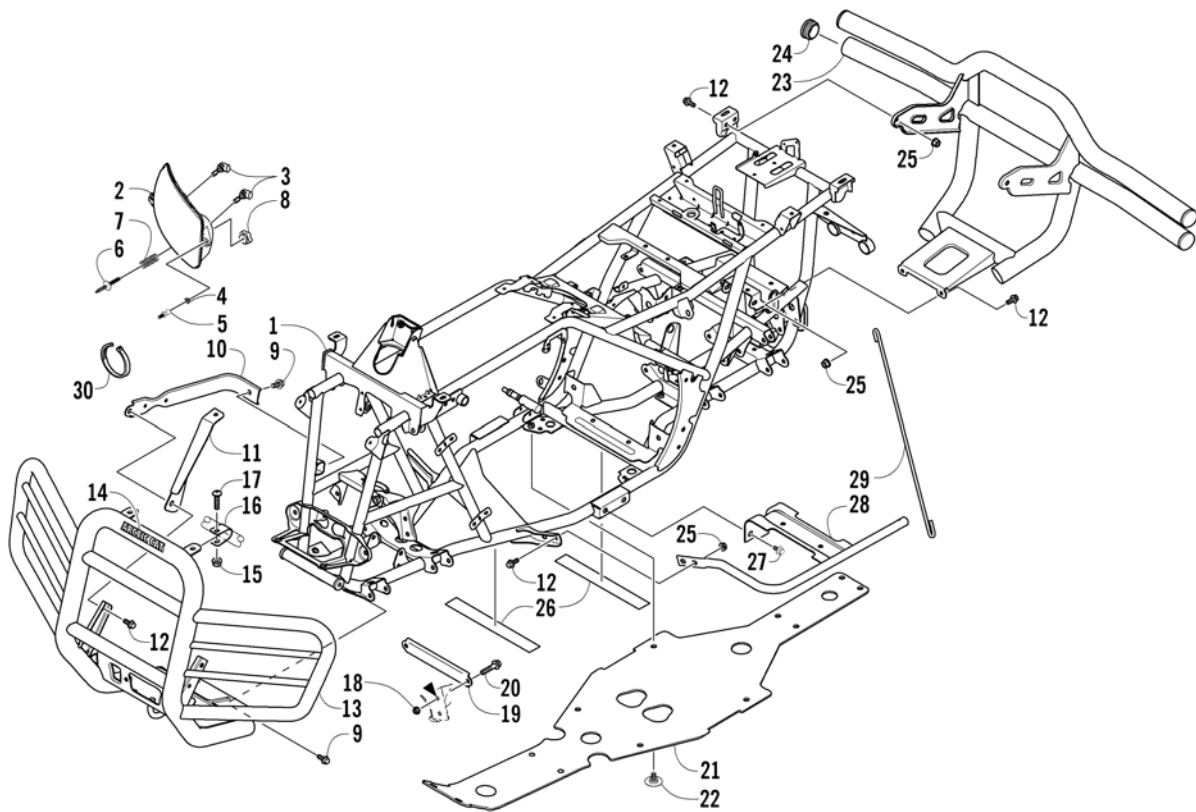
Ref.	Part No.	Qty.	Description	Ref.	Part No.	Qty.	Description
1	0509-022	1	Taillight Assembly (inc. 2-4)	4	0409-057	1	● Socket, Taillight
2	0509-025	1	● Housing, Taillight	5	0623-301	2	Screw, Self-Tapping
3	0409-056	1	● Bulb, Taillight	6	8053-212	2	Washer, Lock - External Tooth



## DECALS

0740-914 \*Included on Front/Rear Fender Panels

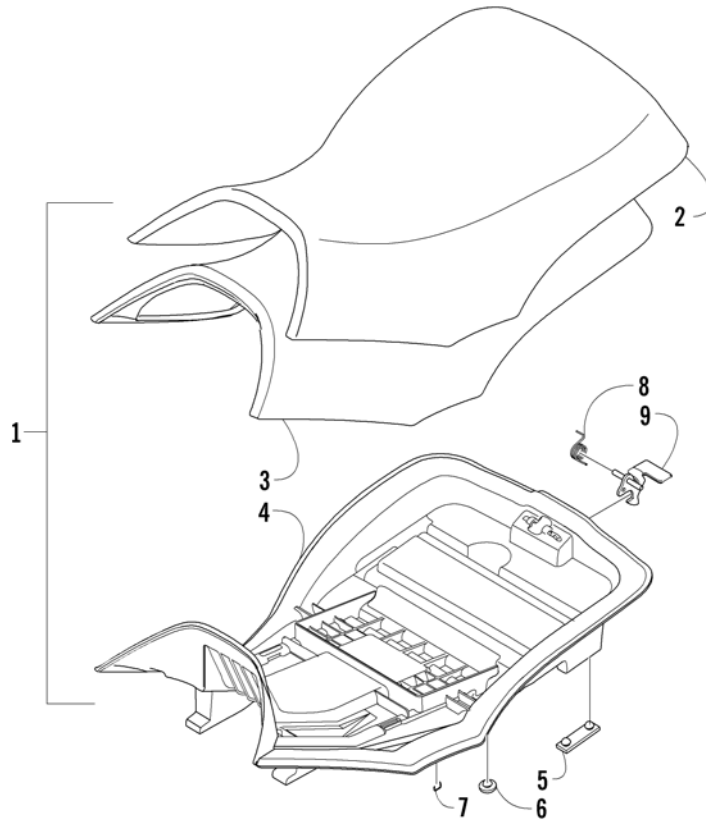
Ref.	Part No.	Qty.	Description	Ref.	Part No.	Qty.	Description
1	1411-250	1	Decal, Warning - Reverse/Pre-Ride*	9	1411-140	1	Decal, Side - Lower Right
2	0411-835	1	Decal, Warning - Turn/Hill		1411-141	1	Decal, Side - Lower Left
3	0411-426	1	Decal, Warning - Clutch Cover	10	0411-430	1	Decal, Warning - Tire Pressure
4	1411-270	1	Decal, Instrument Pod	11	0411-435	1	Decal, Warning - Passenger
5	1411-050	1	Decal, Crest	12	1411-077	1	Decal, Warning - Towing
6	0411-401	1	Decal, Warning - Age*	13	0411-218	1	Decal, Warning - General*
7	0411-966	1	Decal, Warning - Differential Lock	14	0411-965	2	Decal, "Speedrack"
8	1411-138	1	Decal, Side - Upper Right				
	1411-139	1	Decal, Side - Upper Left				



## FRAME AND RELATED PARTS

0740-973

Ref.	Part No.	Qty.	Description	Ref.	Part No.	Qty.	Description
1	1506-756	1	Frame, Main	16	1506-667	2	Strap, Bumper Support
2	0509-016	1	Headlight Assembly - Right (inc. 3-4)	17	8468-845	2	Screw, Machine
	0509-018	1	Headlight Assembly - Left (inc. 3-4)	18	8428-002	2	Nut, Lock
3	0409-055	4	● Bulb, Headlight	19	1506-429	1	Brace, A-Arm
4	0423-452	4	● Socket, Mounting	20	8409-025	2	Screw, Cap
5	0423-515	4	Stud, Mounting - Headlight	21	2406-029	1	Panel, Belly
6	0423-514	2	Stud, Adjuster - Headlight	22	0423-101	14	Screw, Body
7	0423-522	2	Spring, Adjuster	23	1506-615	1	Bumper, Rear (inc. 24)
8	0423-513	2	Knob, Adjuster	24	0406-130	4	● Cap, Bumper
9	8409-020	4	Screw, Cap	25	8424-802	8	Nut, Flange
10	1506-725	2	Channel, Bumper Mounting	26	0406-289	2	Pad, Battery Top
11	1506-562	1	Bracket, Mounting - Bumper - Right	27	8409-016	4	Screw, Cap
	1506-563	1	Bracket, Mounting - Bumper - Left	28	1506-380	1	Footrest - Right
12	8408-816	10	Screw, Cap		1506-379	1	Footrest - Left
13	1506-398	1	Bumper, Front	29	1406-298	2	Rod, Support
14	0411-501	1	Decal, "Arctic Cat" - White	30	0623-751	1	Cable Tie
15	8424-805	2	Nut, Lock				

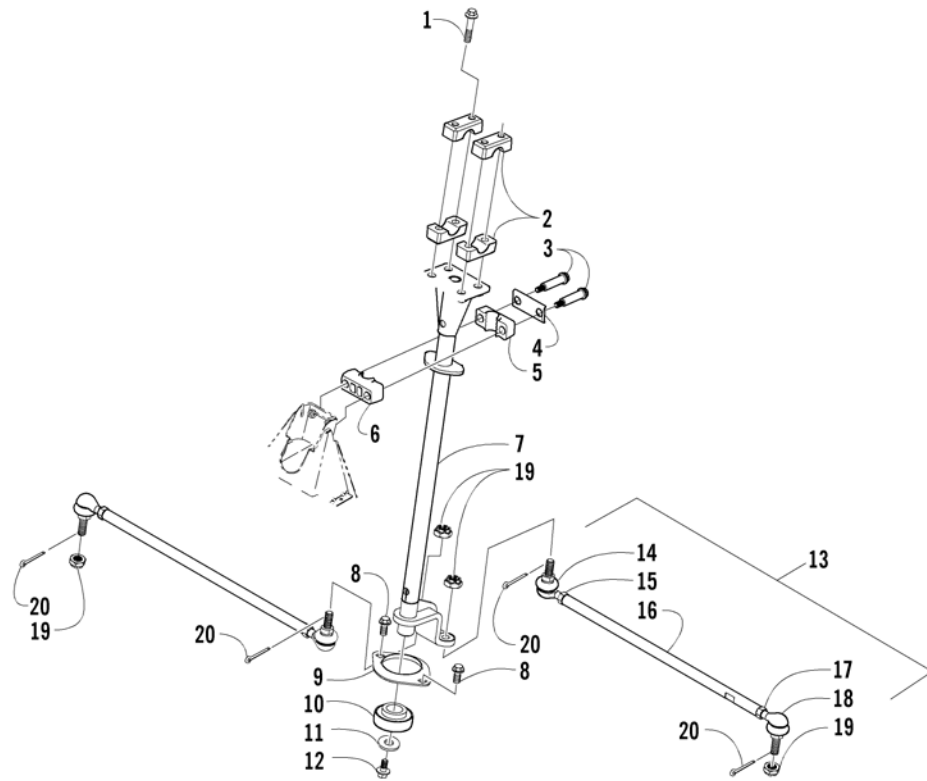


## SEAT ASSEMBLY

0739-690

Ref.	Part No.	Qty.	Description	Ref.	Part No.	Qty.	Description
1	1506-937	1	Seat Assembly (inc. 2-9)	6	0406-877	4	●● Bumper, Seat - Front
2	1506-209	1	● Cover, Seat	7	0624-528	AR	● Staple
3	1506-208	1	● Foam, Seat	8	1406-592	1	● Spring, Seat Latch
4	2406-144	1	● Base, Seat Assembly (inc. 5-6)	9	1506-156	1	● Latch, Seat
5	0406-879	2	●● Bumper, Seat - Rear				

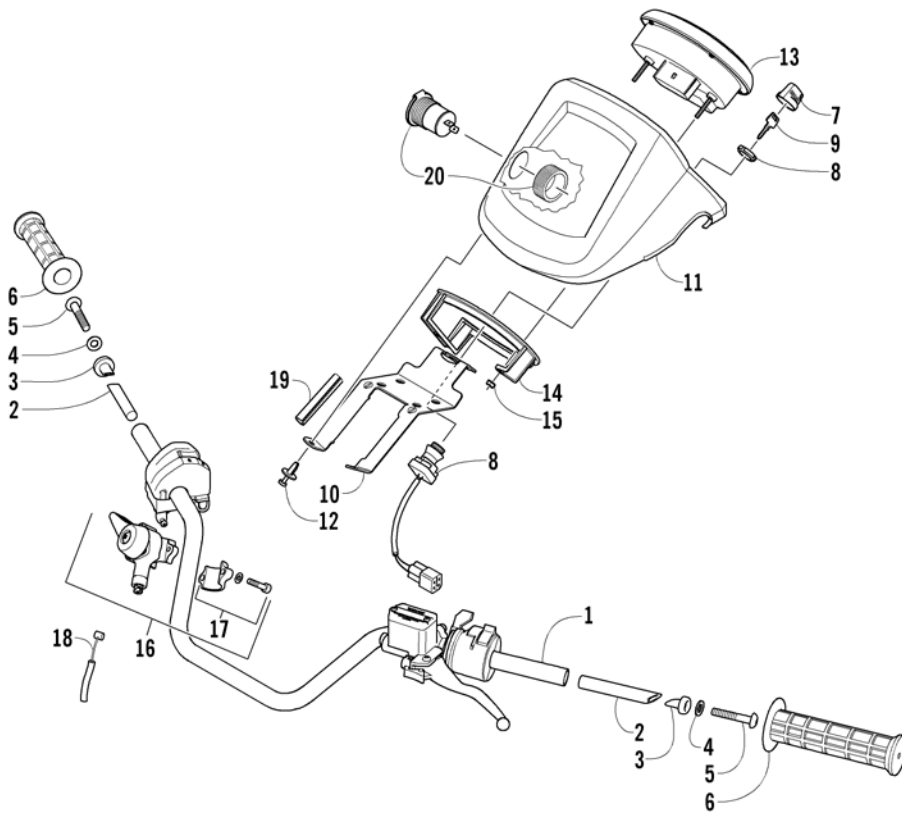




## STEERING POST ASSEMBLY

0739-774

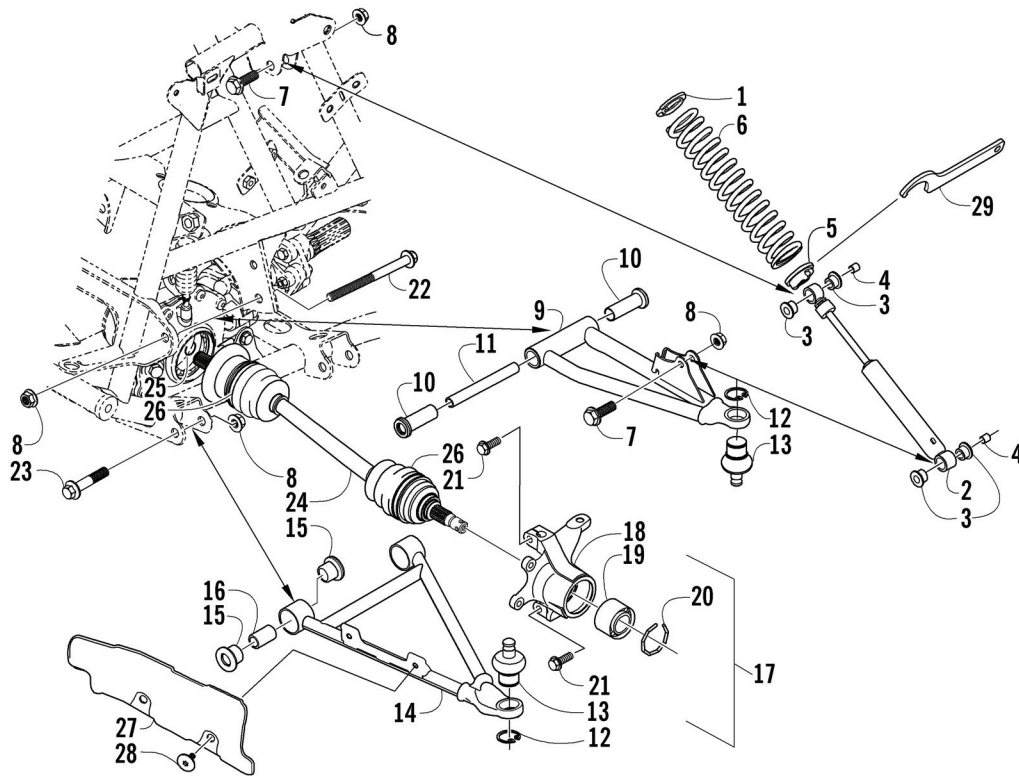
Ref.	Part No.	Qty.	Description	Ref.	Part No.	Qty.	Description
1	8408-860	4	Screw, Cap	11	0423-073	1	Washer
2	0405-035	4	Cap, Steering Adjuster	12	8409-020	1	Screw, Cap
3	0423-505	2	Screw, Shoulder	13	0505-408	2	Tie Rod - Assembly (inc. 14-18)
4	0405-166	1	Cap, Housing	14	0405-083	2	● Ball Joint, Tie Rod - Left
5	0405-138	1	Housing, Lower	15	0423-013	2	● Nut - Left
6	0405-139	1	Housing, Upper	16	0405-107	2	● Tie Rod
7	0505-451	1	Post, Steering	17	8420-002	2	● Nut - Right
8	8408-816	2	Screw, Cap	18	0405-082	2	● Ball Joint, Tie Rod - Right
9	0602-233	1	Flange, Bearing	19	0423-157	4	Nut, Top Lock
10	0405-052	1	Bearing w/Inverted Oil Seal	20	0623-175	4	Pin, Cotter



## HANDLEBAR ASSEMBLY

0740-646 \*Optional

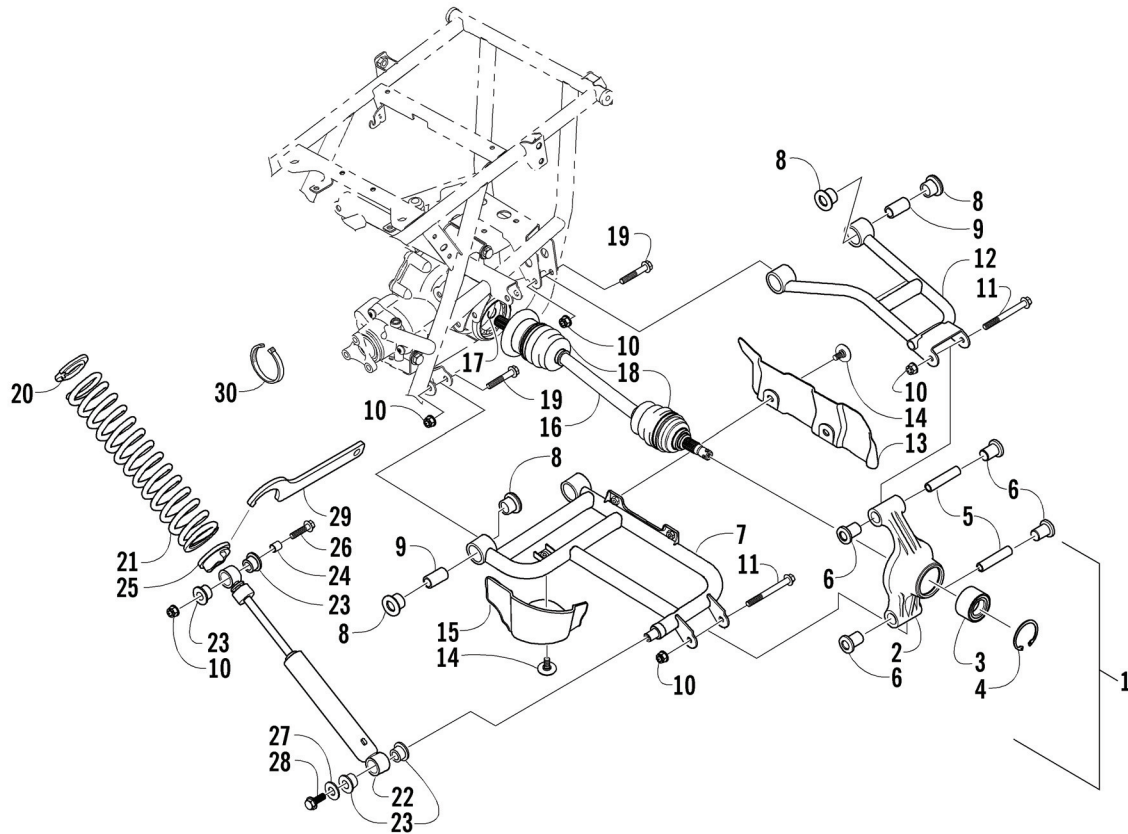
Ref.	Part No.	Qty.	Description	Ref.	Part No.	Qty.	Description
1	0505-448	1	Tube, Handlebar	10	1506-578	1	Bracket, Mounting - Instrument Pod
2	0405-218	2	Plug, Handlebar	11	0405-191	1	Instrument Pod
3	0405-149	2	End Cap, Handlebar	12	0423-535	2	Rivet, Reinstallable
4	8050-247	2	Washer	13	0520-002	1	Gauge, Digital
5	8477-845	2	Screw, Machine	14	0420-065	1	Clamp, Plastic
6	0405-147	2	Grip, Handlebar	15	0423-493	2	Nut, w/Washer
7	0409-013	1	Cover, Key	16	0502-527	1	Control, Differential Lock (inc. 17)
8	0430-036	1	Switch, Ignition - Assembly (inc. 9)	17	0502-613	1	● Clamp, Differential Lock Control - Kit
9	3409-007	1	● Key, Ignition - Blank (C Series)	18	0487-030	1	Cable, Differential Lock
	3409-011	1	● Key, Ignition - Blank (D Series)	19	0706-371	1	Trim*
	3409-012	1	● Key, Ignition - Blank (E Series)	20	0641-897	1	Outlet, Accessory - 12V
	3409-013	1	● Key, Ignition - Blank (F Series)				



## FRONT SUSPENSION ASSEMBLY

0739-603 \*Not a Service Part

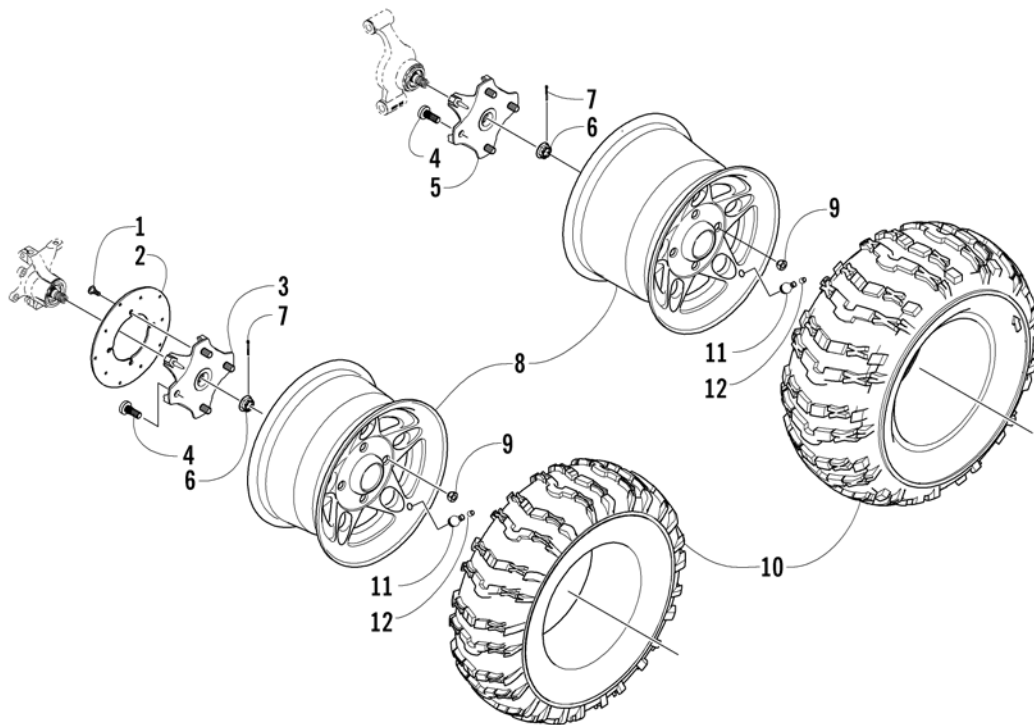
Ref.	Part No.	Qty.	Description	Ref.	Part No.	Qty.	Description
1	1603-889	2	Retainer, Spring	16	0403-114	4	● Collar
2	0403-127	2	Shock Absorber - Front (inc. 3-4)	17	<u>0505-460</u>	1	Knuckle - Assembly - Right (inc. 18-20)
3	0604-310	8	● Bushing, Shock Absorber		<u>0505-461</u>	1	Knuckle - Assembly - Left (inc. 18-20)
4	0403-028	4	● Sleeve, Shock	18	*	1	● Knuckle, Steering - Right
5	0403-102	2	Cam, Spring Adjuster		*	1	● Knuckle, Steering - Left
6	<u>0403-145</u>	2	Spring, Shock Absorber - Black	19	1402-027	2	● Bearing, Wheel Hub
7	8409-040	4	Screw, Cap	20	0423-423	2	● Ring, Retaining
8	8428-002	10	Nut, Lock	21	8409-030	4	Screw, Cap
9	0503-196	1	A-Arm, Upper Right - Black (inc. 10-13)	22	0423-334	2	Screw, Cap
	0503-197	1	A-Arm, Upper Left - Black (inc. 10-13)	23	8409-075	4	Screw, Cap
10	0403-081	4	● Bushing	24	<u>0502-812</u>	1	Axle, Drive - Front - Right (inc. 25-26)
11	0403-080	2	● Collar		<u>0502-813</u>	1	Axle, Drive - Front - Left (inc. 25-26)
12	0423-009	4	● Clip, Ball Joint	25	1441-109	4	● Clip, Retaining
13	0405-115	4	● Ball Joint - Front	26	0436-276	2	● Repair Kit, Boot - Front Axle
14	0503-220	1	A-Arm, Lower Right - Black (inc. 12-13 and 15-16)	27	1406-034	1	Guard, Boot - Right - Black
	0503-221	1	A-Arm, Lower Left - Black (inc. 12-13 and 15-16)		1406-035	1	Guard, Boot - Left - Black
15	0403-115	8	● Bushing	28	0423-101	4	Screw, Body
				29	0441-587	1	Wrench, Spanner



## REAR SUSPENSION ASSEMBLY

0740-328 \*Not a Service Part

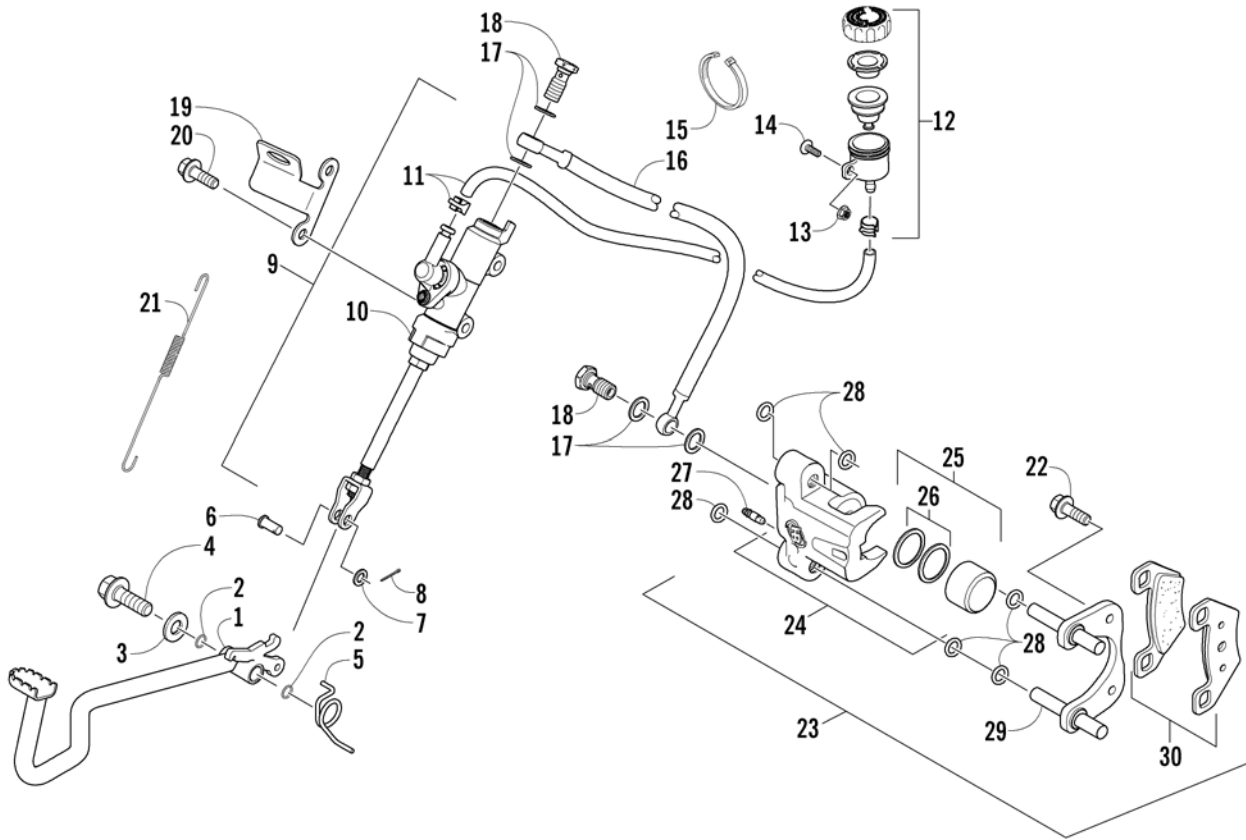
Ref.	Part No.	Qty.	Description	Ref.	Part No.	Qty.	Description
1	0504-372	1	Knuckle, Right Rear - Assembly (inc. 2-6)	14	0423-101	6	Screw, Body
	0504-373	1	Knuckle, Left Rear - Assembly (inc. 2-6)	15	1406-071	1	Guard, Boot - Right
2	*	1	● Knuckle - Right		1406-072	1	Guard, Boot - Left
	*	1	● Knuckle - Left	16	<u>0502-811</u>	2	Axle, Drive (inc. 17-18)
3	1402-027	2	● Bearing, Wheel Hub	17	0441-893	2	● Clip, Retaining
4	0423-423	2	● Ring, Retaining	18	0436-276	2	● Repair Kit, Boot - Rear Axle
5	0403-038	4	● Collar, Suspension Bushing	19	8409-075	8	Screw, Cap
6	0403-032	8	● Bushing, Suspension	20	1603-889	2	Retainer, Spring
7	0504-320	1	A-Arm, Rear - Lower Right - Black (inc. 8-9)	21	<u>0404-112</u>	2	Spring, Suspension - Black
	0504-321	1	A-Arm, Rear - Lower Left - Black (inc. 8-9)	22	0404-085	2	Shock Absorber - Rear (inc. 23-24)
8	0403-115	16	● Bushing	23	0604-310	8	● Bushing, Shock Absorber
9	0403-114	8	● Collar	24	0403-028	2	● Sleeve, Shock Absorber
10	8428-002	14	Nut, Lock	25	0404-057	2	Cam, Spring Adjuster
11	8409-000	4	Screw, Cap	26	8409-040	1	Screw, Cap - Right
12	0504-318	1	A-Arm, Rear - Upper Right - Black (inc. 8-9)		8409-050	1	Screw, Cap - Left
	0504-319	1	A-Arm, Rear - Upper Left - Black (inc. 8-9)	27	0423-087	2	Washer
13	1406-068	1	Guard, Boot - Rear - Right	28	8408-820	2	Screw, Cap
	1406-069	1	Guard, Boot - Rear - Left	29	0441-587	1	Wrench, Spanner
				30	0123-788	2	Cable Tie



## WHEEL AND TIRE ASSEMBLY

0740-567

Ref.	Part No.	Qty.	Description	Ref.	Part No.	Qty.	Description
1	0423-557	12	Screw, Shoulder w/Loctite	8	<u>1402-424</u>	2	Wheel - Front
2	1402-225	3	Disc, Brake		<u>1402-425</u>	2	Wheel - Rear
3	0502-599	2	Hub, Wheel - Front (inc. 4)	9	<u>0423-618</u>	16	Nut, Mounting - Wheel
4	0402-974	16	● Stud, Wheel Hub	10	1402-100	2	Tire - Front
5	0502-601	1	Hub, Wheel - Rear - Left (inc. 4)		1402-137	2	Tire - Rear
	0502-599	1	Hub, Wheel - Rear - Right (inc. 4)	11	0402-064	4	Stem, Valve (inc. 12)
6	<u>0423-607</u>	4	Nut, Castle	12	0402-140	4	● Cap, Valve Stem
7	0423-407	4	Pin, Cotter				

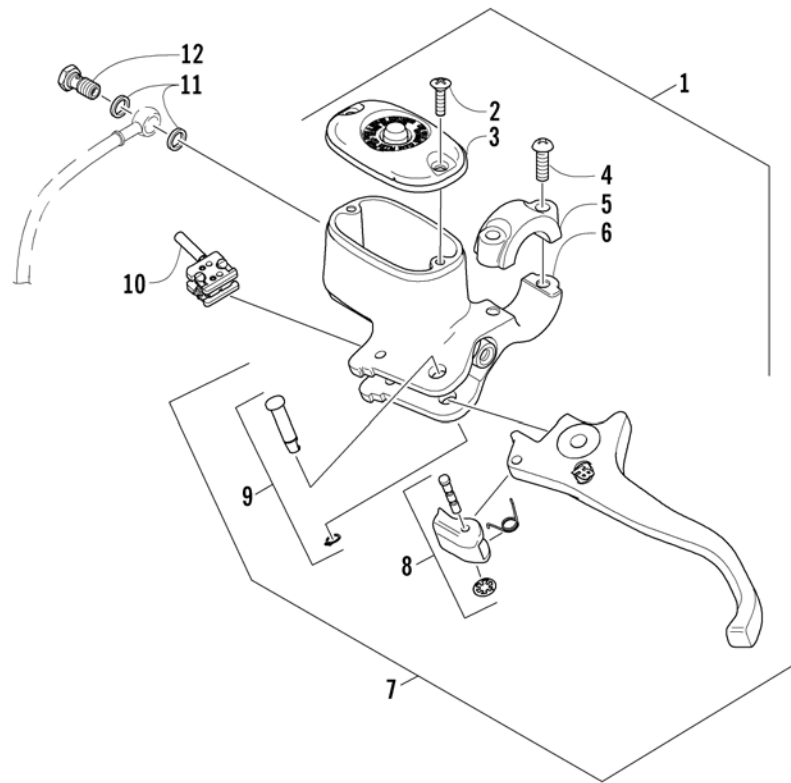


## AUXILIARY BRAKE ASSEMBLY

(Fully Bled Master Cylinder Replacement Kit p/n 0502-938)

0740-359 \*No a Service Part

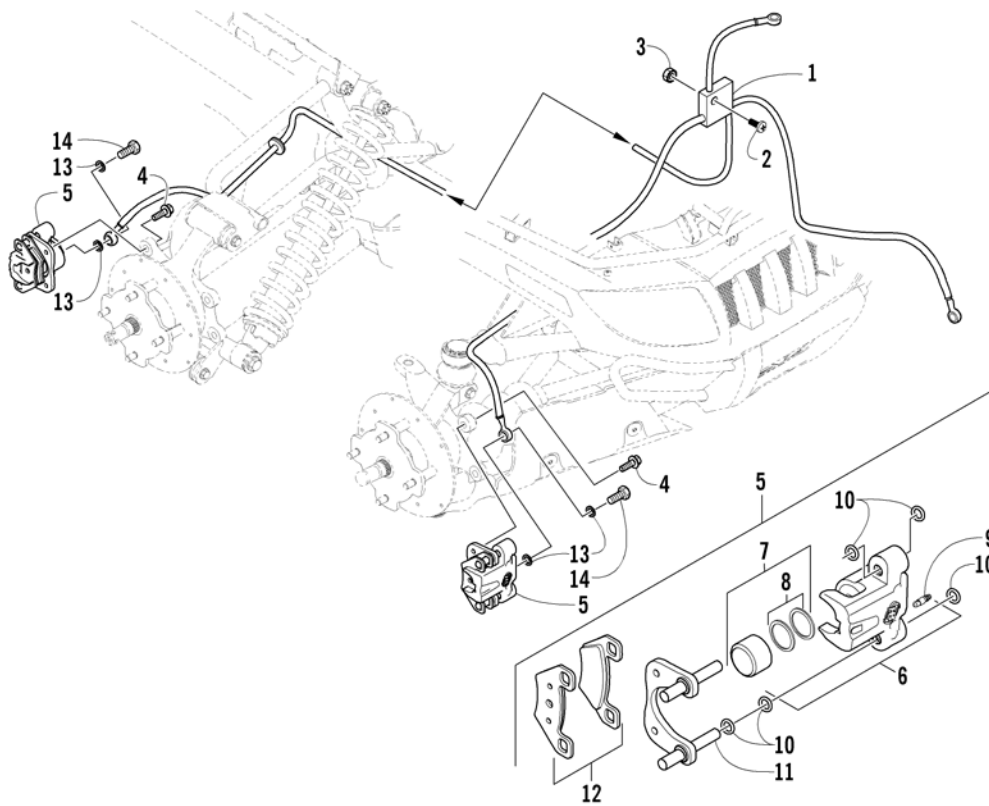
Ref.	Part No.	Qty.	Description	Ref.	Part No.	Qty.	Description
1	<u>0502-805</u>	1	Lever, Brake	17	0423-178	4	Washer, Crush
2	1602-213	2	O-Ring	18	0423-413	2	Bolt, Banjo Fitting
3	8050-252	1	Washer	19	<u>0502-840</u>	1	Bracket, Switch
4	8408-816	1	Screw, Cap	20	8408-625	2	Screw, Cap
5	<u>0502-807</u>	1	Spring, Brake Lever	21	<u>0502-785</u>	1	Spring, Brake Switch
6	1402-377	1	Pin, Clevis	22	8408-820	2	Screw, Cap
7	8050-217	1	Washer	23	0502-602	1	Caliper, Brake (inc. 24-30)
8	0402-584	1	Pin, Cotter	24	0502-603	1	● Housing, Caliper - Assembly - Right Front (inc. 25-27)
9	<u>0502-881</u>	1	Brake Assembly (inc. 10-12)	25	0502-606	1	●● Piston/Seal Set (inc. 26)
10	*	1	● Master Cylinder	26	0502-607	1	●●● Seal Set
11	<u>0502-880</u>	1	● Hose, Brake Reservoir	27	0502-609	1	●● Valve, Bleed
12	<u>0502-877</u>	1	● Reservoir, Brake	28	0502-608	1	● O-Ring, Guide - Set
13	0623-038	1	Nut, Flanged	29	0502-605	1	● Bracket Assembly
14	8476-616	1	Screw, Machine	30	0502-604	1	● Pad, Brake - Set
15	0123-788	1	Cable Tie - 7.5 in.				
16	<u>1402-413</u>	1	Hose, Brake				



## HYDRAULIC HAND BRAKE ASSEMBLY

0739-479

Ref.	Part No.	Qty.	Description	Ref.	Part No.	Qty.	Description
1	<u>0502-914</u>	1	Brake Assembly (inc. 2-10)	7	<u>0502-866</u>	1	● Lever Assembly - Kit (inc. 8-9)
2	0502-566	1	● Screw, Reservoir Cover - Kit	8	<u>0502-867</u>	1	●● Lock, Brake Lever - Kit
3	<u>0502-868</u>	1	● Cover, Reservoir - Kit	9	0502-580	1	●● Lever Pin - Kit
4	0502-568	1	● Screw, Master Cylinder Clamp - Kit	10	0502-564	1	● Switch, Brake - Kit
5	<u>0502-869</u>	1	● Clamp, Master Cylinder - Kit	11	0423-178	2	Washer, Crush
6	0502-704	1	● Master Cylinder Assembly - Kit	12	0423-413	1	Bolt, Banjo

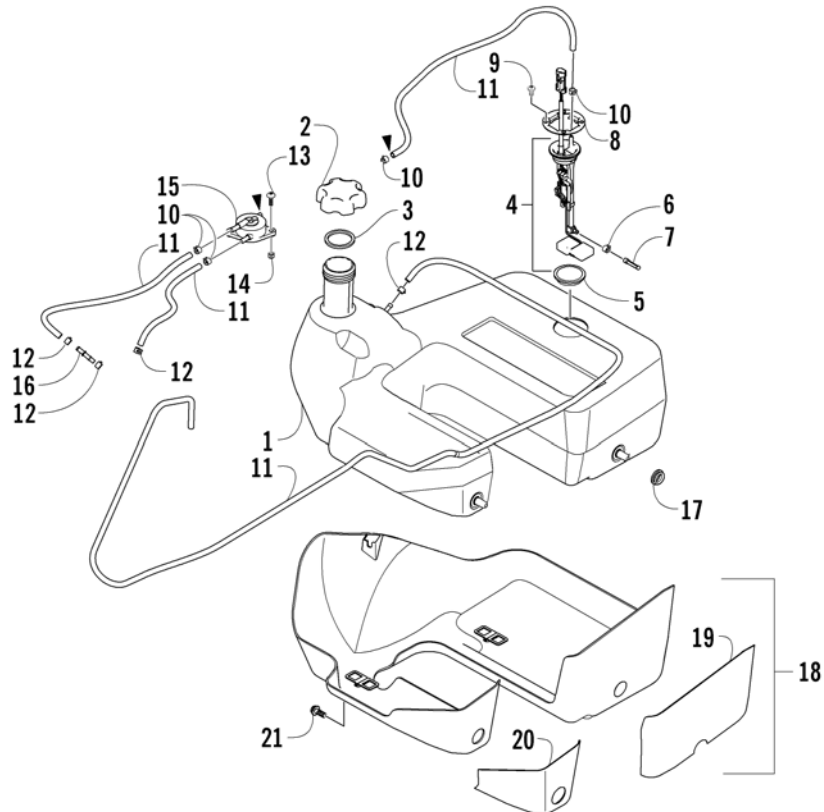


## HYDRAULIC BRAKE ASSEMBLY

0740-295

Ref.	Part No.	Qty.	Description	Ref.	Part No.	Qty.	Description
1	0502-627	1	Hose, Brake - Assembly	7	0502-606	3	● ● Piston/Seal Set (inc. 8)
2	8476-625	1	Screw, Cap	8	0502-607	3	● ● ● Seal Set
3	0623-038	1	Nut w/Washer	9	0502-609	3	● ● Valve, Bleed
4	8408-820	6	Screw, Cap	10	0502-608	3	● O-Ring, Guide - Set
5	0502-602	1	Caliper, Brake - Right Front (inc. 6-12)	11	0502-605	3	● Bracket Assembly
	0502-610	2	Caliper, Brake - Left Front and Right Rear (inc. 6-12)	12	0502-604	3	● Pad, Brake - Set
6	0502-603	1	● Housing, Caliper - Assembly - Right Front (inc. 7-9)	13	0423-178	6	Washer, Crush
	0502-611	2	● Housing, Caliper - Assembly - Left Front and Right Rear (inc. 7-9)	14	0423-413	3	Bolt, Banjo Fitting

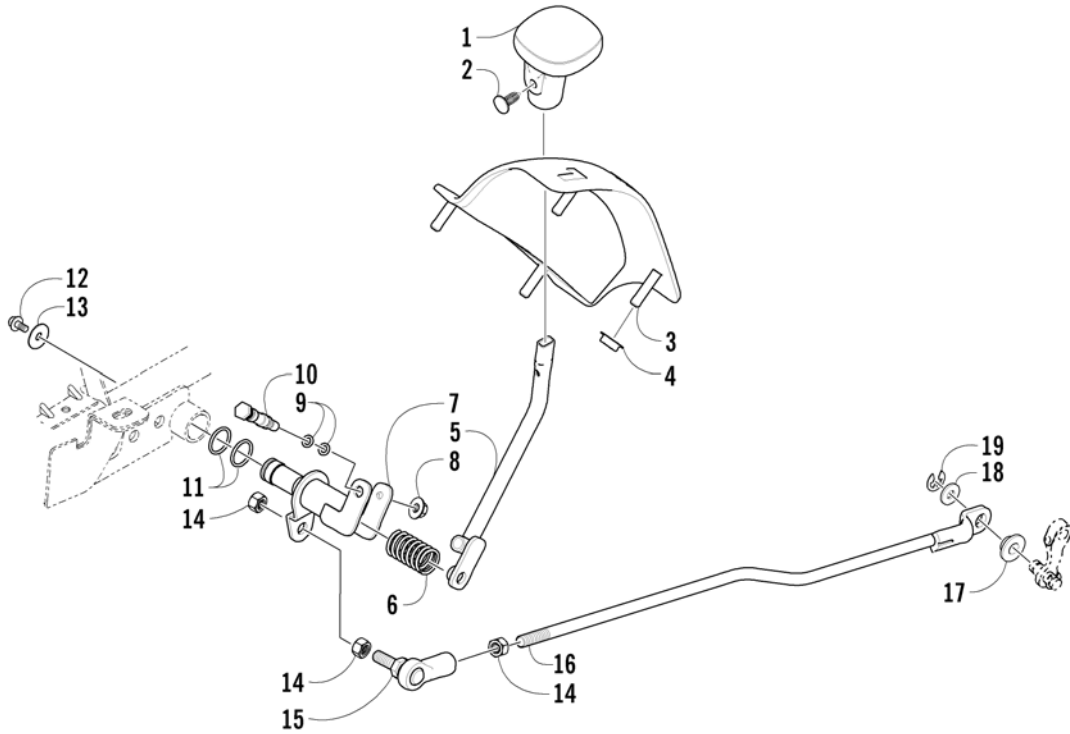




## GAS TANK ASSEMBLY

0740-974

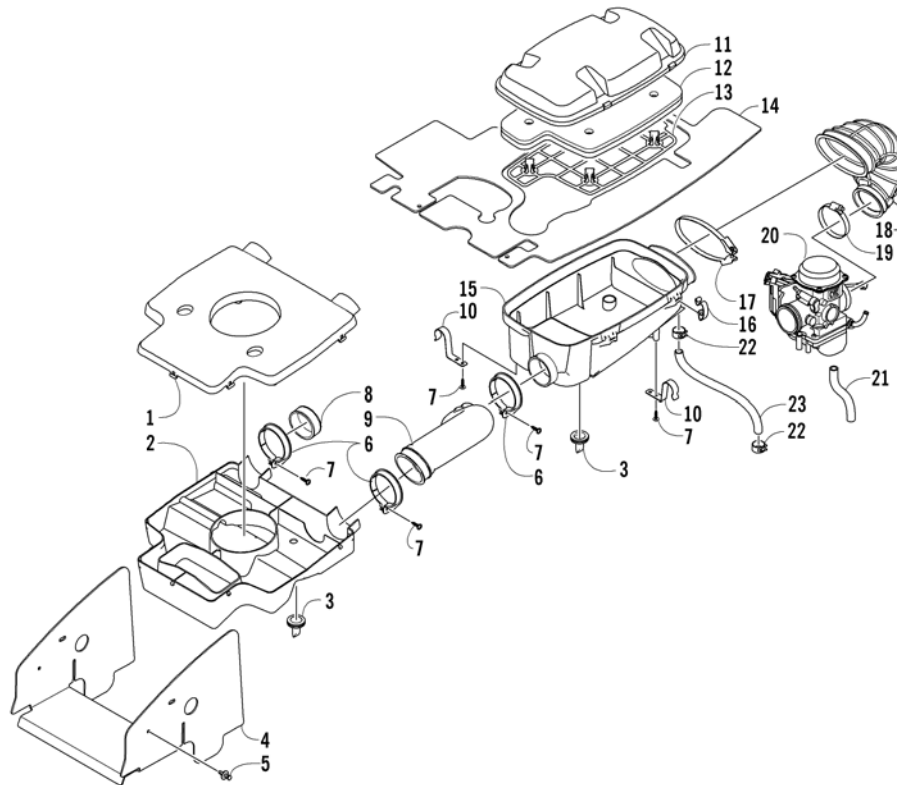
Ref.	Part No.	Qty.	Description	Ref.	Part No.	Qty.	Description
1	0570-102	1	Tank, Gas - Assembly (inc. 2-9)	12	1623-233	4	Clamp, Hose
2	0470-438	1	● Cap, Gas Tank (inc. 3)	13	8476-620	2	Screw, Machine
3	0109-733	1	●● Gasket, Tank Cap	14	0623-038	2	Nut, Lock
4	0570-112	1	● Sensor, Fuel Level (inc. 5-7)	15	0470-519	1	Pump, Fuel
5	0470-521	1	●● Seal, Fuel Level Sensor	16	0470-527	1	Fitting, Straight
6	0423-603	1	●● Clamp, Hose	17	0423-460	2	Grommet
7	0470-475	1	●● Filter, Fuel	18	0570-081	1	Shield, Gas Tank - Assembly (inc. 19-20)
8	0470-546	1	● Plate, Mounting - Fuel Level Sensor	19	0470-499	1	● Shield, Heat
9	1623-158	4	● Screw, Self-Tapping	20	0470-498	1	● Shield, Heat
10	0423-461	4	Clamp, Hose	21	8408-816	2	Screw, Cap
11	0410-070	AR	Hose, Gasline - 25 ft				



## REVERSE SHIFT LEVER ASSEMBLY

0739-701

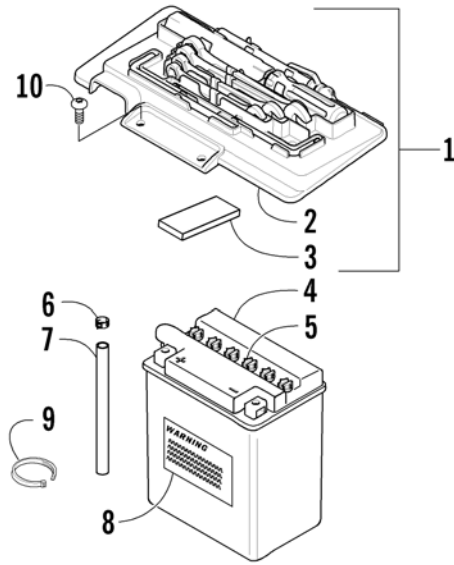
Ref.	Part No.	Qty.	Description	Ref.	Part No.	Qty.	Description
1	0402-843	1	Knob, Reverse Shift Lever	11	0423-299	2	O-Ring
2	0423-345	1	Clip, Push	12	8408-812	1	Screw, Cap
3	1402-110	1	Plate, Shift	13	0423-087	1	Washer
4	0423-357	4	Nut, Stamped	14	0623-294	3	Nut
5	0502-659	1	Lever, Reverse Shift	15	1402-270	1	End, Rod
6	0502-410	1	Spring, Reverse Shift Lever	16	0502-989	1	Linkage, Shift
7	0502-742	1	Axle, Reverse Shift Lever	17	0423-091	1	Bushing, Shift Linkage
8	8424-602	1	Nut	18	8050-242	1	Washer
9	0423-182	2	O-Ring	19	0423-169	1	E-Ring
10	0402-675	1	Axle, Pivot				



## AIR INTAKE ASSEMBLY

0740-975

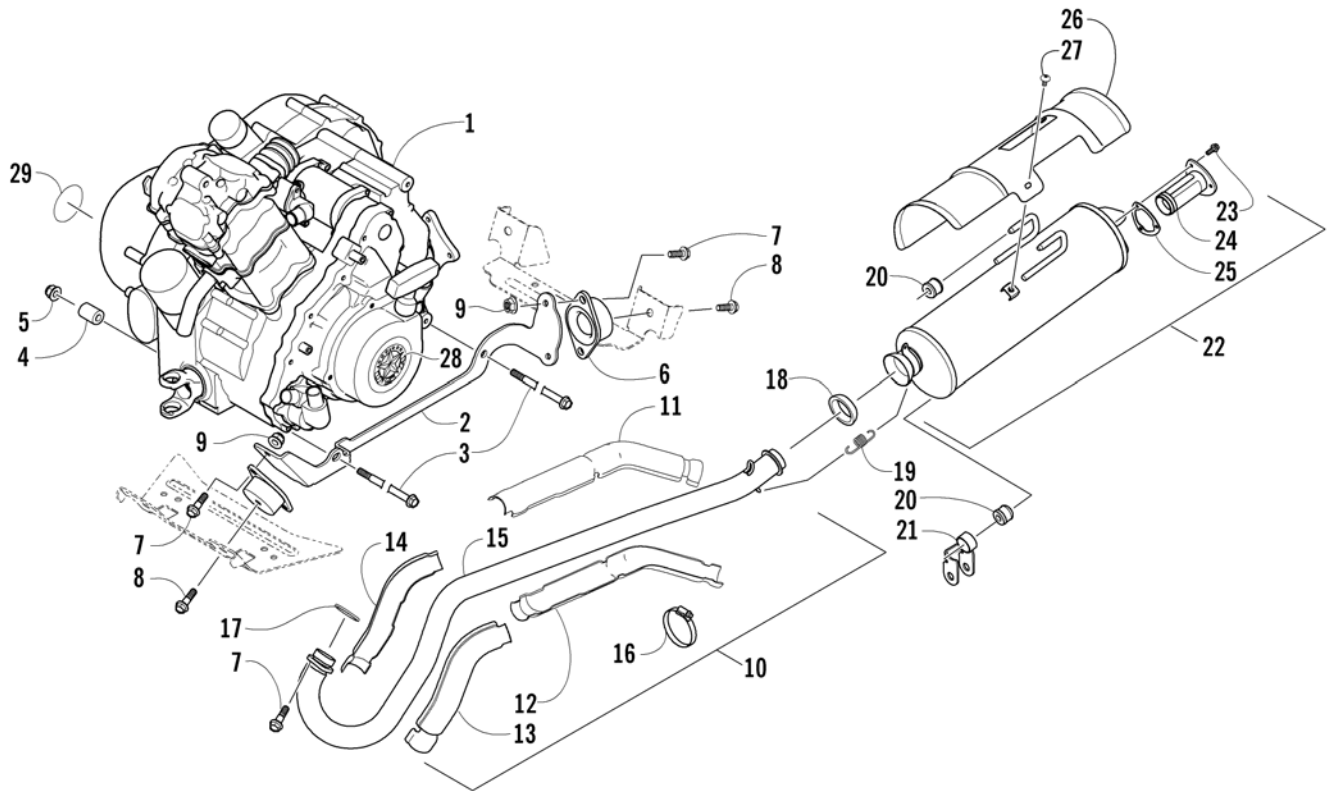
Ref.	Part No.	Qty.	Description	Ref.	Part No.	Qty.	Description
1	0413-091	1	Diverter, Air - Top	13	0470-516	1	Screen, Air Filter
2	0413-093	1	Diverter, Air - Bottom	14	2406-009	1	Panel, Shield
3	0470-442	2	Valve, Drain	15	0470-515	1	Housing, Air Intake
4	1406-973	1	Shroud, Splash	16	0423-455	4	Clip, Spring
5	0623-362	2	Rivet, Reinstallable	17	0423-554	1	Clamp, Boot
6	0423-551	3	Clamp	18	0470-511	1	Boot, Carburetor
7	0423-342	7	Screw, Self-Tapping	19	0423-019	1	Clamp, Boot
8	0413-096	1	Cap, Air Intake - Diverter	20	0470-482	1	Carburetor, CVK40-AE
9	0470-529	1	Boot, Air Intake	21	0510-592	1	Hose, Carburetor Drain
10	0423-454	2	Clip, Mounting - Air Intake	22	0423-045	2	Clamp, Hose
11	0470-554	1	Cover, Air Intake	23	0410-079	1	Hose, Vent - Crankcase
12	0470-494	1	Filter, Air				



## BATTERY ASSEMBLY

0739-740 \*Not Illustrated

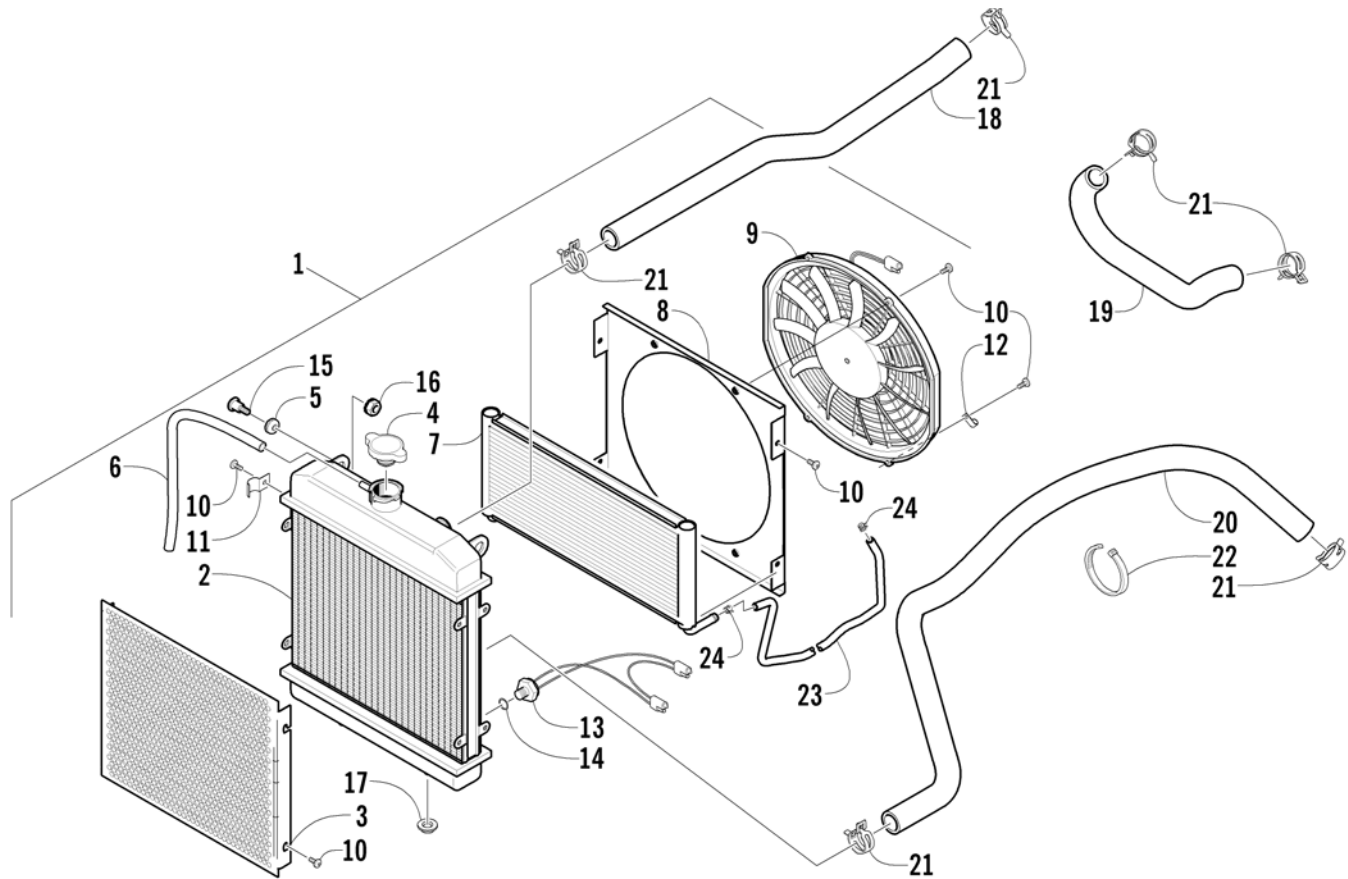
Ref.	Part No.	Qty.	Description	Ref.	Part No.	Qty.	Description
1	5990-839	1	Battery Cover/Tool Tray Assembly (inc. 2-3)	5	0645-045	6	● Cap, Battery
2	1406-507	1	● Cover, Battery	6	0645-152	1	● Clamp, Hose
3	0406-288	2	● Pad, Battery	7	0645-263	1	● Hose, Battery Vent
*	0444-122	1	Kit, Tool	8	0645-151	1	● Label, Warning - Battery
4	0745-045	1	Battery Assembly (inc. 5-8)	9	0123-903	4	Cable Tie - 11.5 in.
				10	8476-616	2	Screw, Machine



## ENGINE AND EXHAUST

0740-986

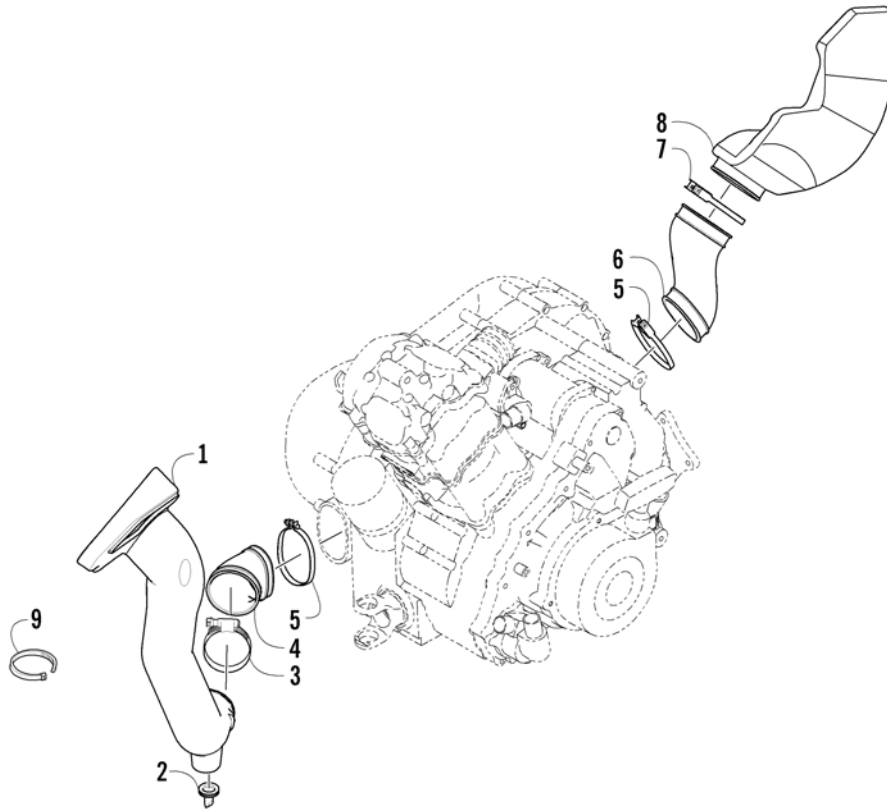
Ref.	Part No.	Qty.	Description	Ref.	Part No.	Qty.	Description
1	0800-016	1	Engine	15	0512-274	1	● Pipe, Exhaust
2	1506-740	1	Bracket, Engine - Right	16	0423-317	3	● Hose Clamp
	1506-741	1	Bracket, Engine - Left	17	0412-338	1	Gasket, Exhaust Pipe
3	0423-405	2	Screw, Cap	18	0412-256	1	Seal, Exhaust
4	0423-042	2	Spacer, Engine	19	0612-668	2	Spring, Extension
5	8428-002	2	Nut, Lock	20	0412-215	3	Bushing, Exhaust Pipe
6	2406-065	4	Mount, Rubber - Engine	21	1506-732	1	Channel, Muffler Support
7	8408-820	10	Screw, Cap	22	0512-289	1	Muffler - Assembly (inc. 23-25)
8	8408-012	4	Screw, Cap	23	8408-616	3	● Screw, Cap
9	8432-802	8	Nut	24	0512-219	1	● Arrester, Spark - Assembly
10	0512-275	1	Pipe, Exhaust - Assembly (inc. 11-16)	25	0412-313	1	● Gasket, Spark Arrester
11	0412-350	1	● Shield, Exhaust Pipe - Outer - Rear	26	0412-329	1	Cover, Muffler
12	0412-339	1	● Shield, Exhaust Pipe - Inner - Rear	27	8477-610	4	Screw, Machine
13	0412-349	1	● Shield, Exhaust Pipe - Inner - Front	28	1411-176	1	Decal - "Duramatic"
14	0412-348	1	● Shield, Exhaust Pipe - Outer - Front	29	1411-177	1	Decal - "USA"



## COOLING ASSEMBLY

0740-363

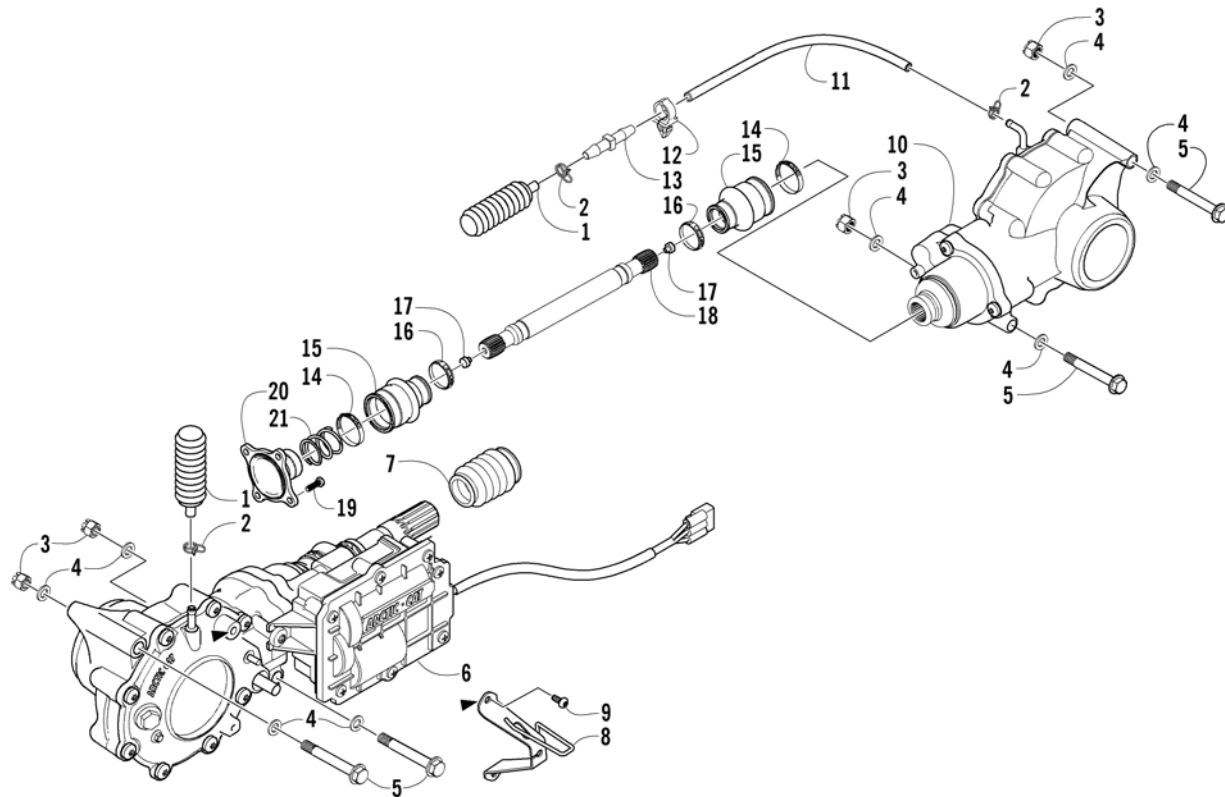
Ref.	Part No.	Qty.	Description	Ref.	Part No.	Qty.	Description
1	0413-116	1	Radiator Assembly (inc. 2-14)	13	0413-045	1	● Sender, Temperature - Coolant
2	0413-043	1	● Radiator	14	0423-390	1	● O-Ring
3	0413-007	1	● Screen, Radiator	15	0423-484	2	Screw, Shoulder
4	0413-002	1	● Cap, Radiator	16	0623-038	2	Nut w/Washer
5	0423-030	2	● Grommet	17	0423-028	2	Bushing, Stem
6	0610-016	AR	● Hose - 25 ft	18	0410-002	1	Hose, Coolant - Upper
7	0413-122	1	● Cooler, Oil	19	0410-022	1	Hose, Coolant - Crossover
8	0413-124	1	● Shroud, Fan	20	0410-041	1	Hose, Coolant - Lower
9	0413-123	1	● Fan, Cooling	21	0423-496	6	Clamp, Hose
10	8475-512	12	● Screw, Machine	22	0123-788	2	Cable Tie
11	0423-351	1	● Clamp, Wire	23	0410-100	2	Hose, Oil Cooler
12	0123-397	1	● Clamp, Cable	24	0423-632	4	Clamp, Hose



## CASE/BELT COOLING ASSEMBLY

0740-267

Ref.	Part No.	Qty.	Description	Ref.	Part No.	Qty.	Description
1	0413-115	1	Duct, Belt Cooling - Front	6	0413-097	1	Boot, Duct - Rear
2	0470-442	1	Valve, Drain	7	0423-554	1	Clamp, Boot
3	0423-578	1	Clamp, Boot	8	0413-119	1	Duct, Belt Cooling - Rear
4	0413-114	1	Boot, Duct - Front	9	0123-903	1	Cable Tie - 11.5 in.
5	0423-539	2	Clamp, Boot				

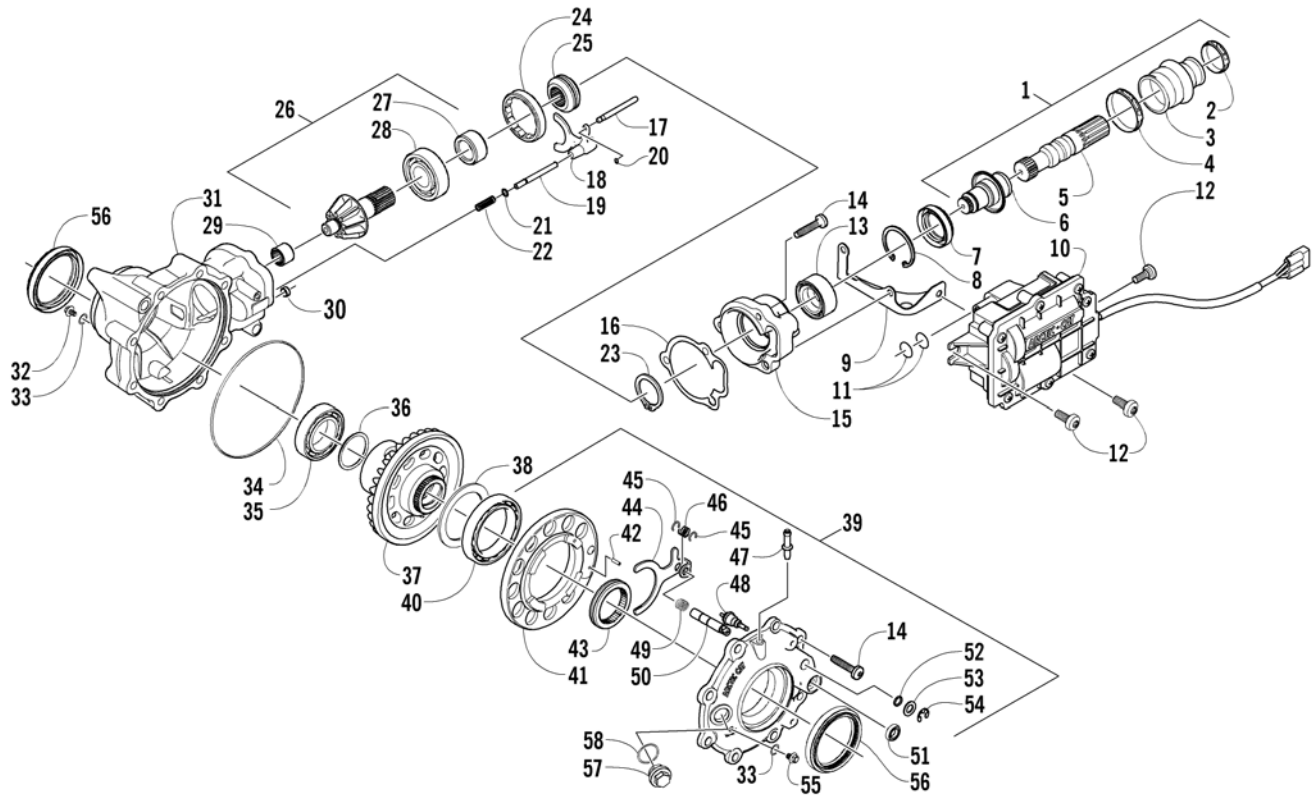


## DRIVE TRAIN ASSEMBLY

0740-751

Ref.	Part No.	Qty.	Description	Ref.	Part No.	Qty.	Description
1	0402-147	2	Bladder, Gearcase	12	0623-101	1	Clip, Routing - Snap-In
2	0423-315	4	Clamp, Fitting	13	0470-462	1	Fitting, Vent
3	8428-002	4	Nut, Lock	14	0423-393	2	Clamp, Boot
4	0423-426	10	Washer	15	0402-985	2	Boot
5	0423-404	4	Screw, Cap	16	0423-411	2	Clamp, Boot
6	0502-754	1	Gearcase, Front	17	0673-618	2	Bumper, Propeller Shaft
7	0402-966	1	Boot, Shaft	18	1402-233	1	Shaft, Propeller
8	0502-500	1	Plate, Cable	19	8408-820	4	Screw, Cap
9	0423-396	2	Screw, Self-Tapping	20	0402-950	1	Flange, Output
10	<u>0502-820</u>	1	Gearcase, Rear	21	1402-026	2	Spring
11	0410-049	AR	Hose, Vent				



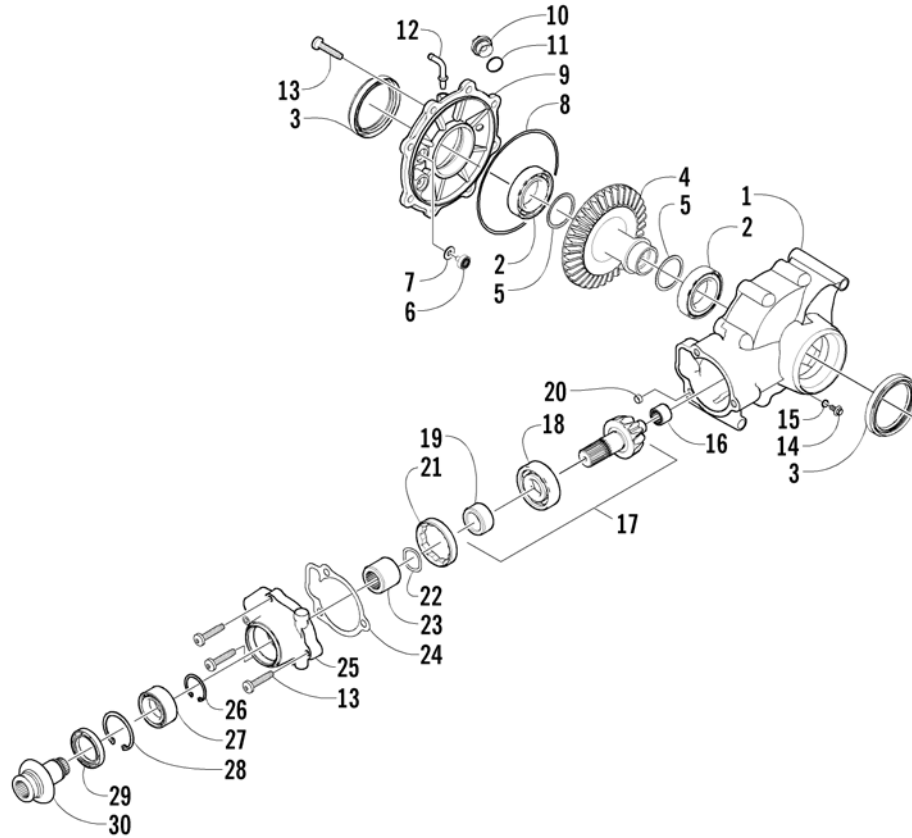


## FRONT DRIVE GEARCASE ASSEMBLY

(Complete Assembly p/n 0502-754)

0740-455

Ref.	Part No.	Qty.	Description	Ref.	Part No.	Qty.	Description
1	0502-385	1	Shaft, Propeller - Assembly (inc. 2-6)	35	0402-393	1	Bearing
2	0423-411	1	● Clamp, Boot	36	0402-405	AR	Shim
3	0402-985	1	● Boot, Propeller Shaft		0402-406	AR	Shim
4	0423-393	1	● Clamp, Boot		0402-407	AR	Shim
5	1402-045	1	● Shaft, Output		0402-408	AR	Shim
6	0502-407	1	● Shaft, Input		0402-409	AR	Shim
7	1402-011	1	Seal	37	0502-851	1	Gear, Ring - 36T
8	0423-423	1	Ring, Retaining	38	1402-074	AR	Shim
9	0502-347	1	Bracket, Actuator		1402-075	AR	Shim
10	0502-579	1	Actuator (inc. one No. 11)		1402-076	AR	Shim
11	0423-498	2	● O-Ring		1402-077	AR	Shim
12	0423-396	3	Screw, Self-Tapping		1402-078	AR	Shim
13	1402-043	1	Bearing	39	0502-434	1	Cover, Gearcase (inc. one No. 33, 40-55, and one No. 56)
14	0423-118	11	Screw, Self-Tapping	40	1402-053	1	● Bearing
15	0502-528	1	Housing, Pinion	41	0502-413	1	● Flange, Bearing
16	0402-947	1	Gasket, Flange	42	1402-079	1	● Pin, Parallel
17	0402-997	1	Shaft, Selector	43	1402-042	1	● Collar, Sliding
18	0402-998	1	Fork, Selector	44	1402-054	1	● Fork
19	0402-417	1	Shaft, Shuttle	45	1402-058	2	● Ring, Retaining
20	0423-402	1	Ring, Retaining	46	1402-057	1	● Spring
21	0423-147	1	O-Ring	47	1402-104	1	● Fitting
22	0402-999	1	Spring, Return	48	0402-419	1	● Switch, Indicator
23	0423-417	1	Ring, Retaining	49	1402-063	1	● Spring
24	0402-357	1	Collar, Lock	50	1402-055	1	● Shaft, Lock
25	0402-413	1	Coupler, Drive	51	1402-056	1	● Seal
26	0502-783	1	Gear, Pinion - Assembly - 10T (inc. 27-28)	52	0423-133	1	● O-Ring
27	0402-336	1	● Collar, Retaining	53	0423-132	1	● Washer
28	0402-327	1	● Bearing	54	0423-424	1	● Ring, Retaining
29	0402-328	1	Bearing	55	1402-211	1	● Plug, Oil Level (inc. one No. 33)
30	0402-411	1	Pin, Dowel	56	0402-394	2	● Seal
31	0502-514	1	Housing, Gearcase	57	0402-333	1	Plug, Fill (inc. 58)
32	1402-210	1	Plug, Magnetic (inc. one No. 33)	58	0423-154	1	● O-Ring
33	0423-153	2	● O-Ring				
34	0423-149	1	O-Ring				

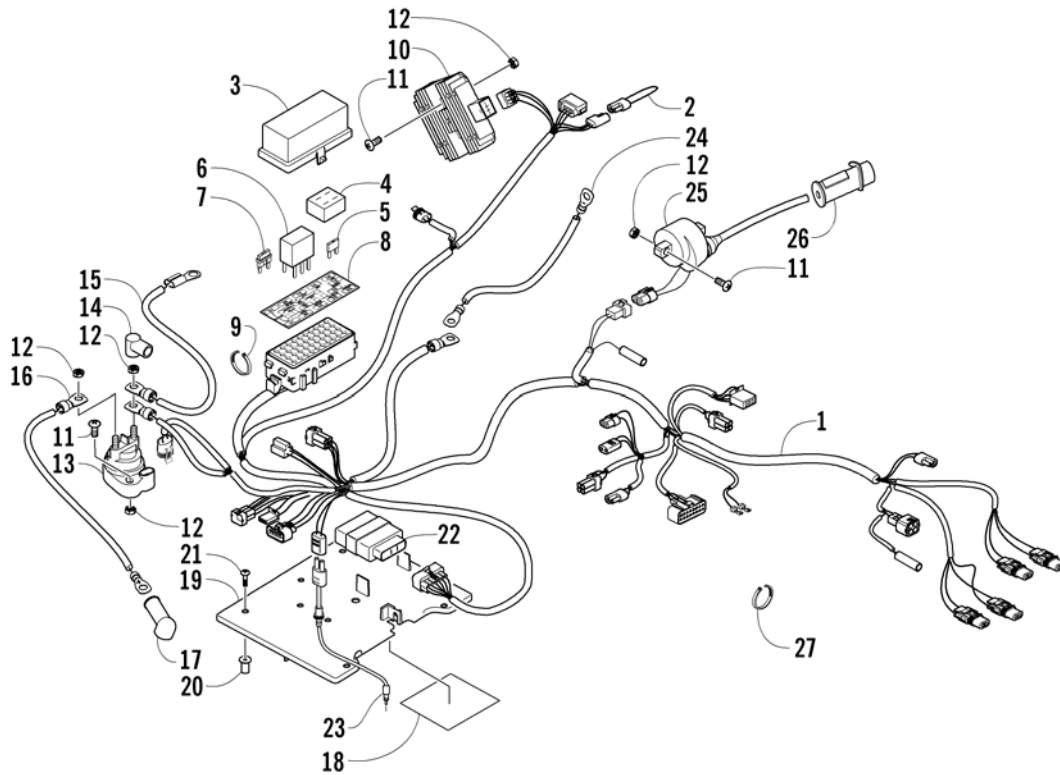


## REAR DRIVE GEARCASE ASSEMBLY

(Complete Assembly p/n 0502-820)

0740-457

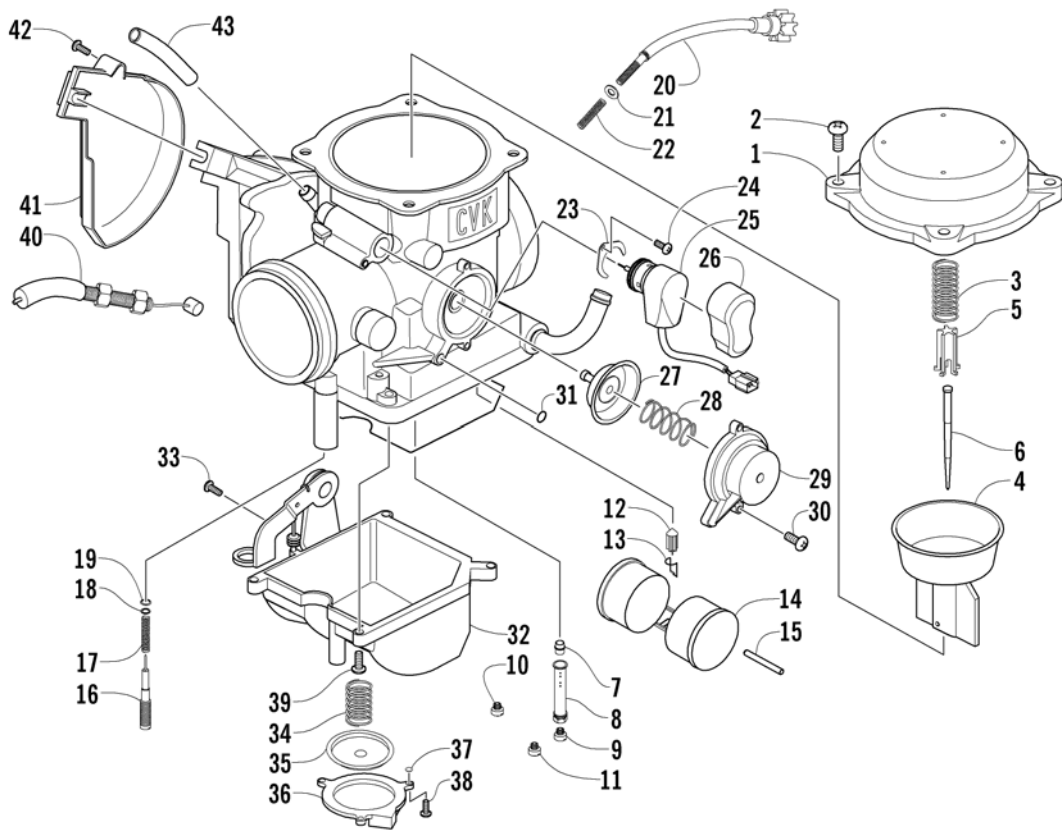
Ref.	Part No.	Qty.	Description	Ref.	Part No.	Qty.	Description
1	0502-622	1	Housing, Gearcase	12	1402-102	1	Fitting
2	0402-393	2	Bearing	13	0423-118	11	Screw, Self-Tapping
3	0402-394	2	Seal	14	0402-450	1	Plug, Magnetic (inc. 15)
4	1402-032	1	Gear, Ring - 36T	15	0423-153	1	● O-Ring
5	0402-405	AR	Shim	16	0402-328	1	Bearing
	0402-406	AR	Shim	17	<u>0502-783</u>	1	Gear, Pinion - Assembly - 10T (inc. 18-19)
	0402-407	AR	Shim	18	0402-327	1	● Bearing
	0402-408	AR	Shim	19	0402-336	1	● Collar, Retaining
	0402-409	AR	Shim	20	0402-411	1	Pin, Dowel
6	0402-326	1	Button, Thrust	21	0402-331	1	Collar, Lock
7	0402-429	AR	Shim	22	0402-982	1	Washer, Wave
	0402-430	AR	Shim	23	0402-981	1	Collar, Shaft
	0402-431	AR	Shim	24	0402-947	1	Gasket, Flange
	0402-432	AR	Shim	25	0502-529	1	Housing, Pinion
	0402-433	AR	Shim	26	0423-417	1	Ring, Retaining
8	0423-149	1	O-Ring	27	1402-043	1	Bearing
9	0502-346	1	Cover, Gearcase	28	0423-423	1	Ring, Retaining
10	0402-333	1	Plug, Fill (inc. 11)	29	1402-011	1	Seal
11	0423-154	1	● O-Ring	30	0502-407	1	Shaft, Input



## WIRING HARNESS ASSEMBLY

0740-976R

Ref.	Part No.	Qty.	Description	Ref.	Part No.	Qty.	Description
1	<u>0486-186</u>	1	Harness, Main (inc. 2-8 and two No. 9)	14	0645-327	1	Boot, Terminal
2	0486-164	1	● Tether, Accessory Connector	15	0445-044	1	Cable, Solenoid/Starter
3	0530-008	1	● Cover, Fuse Block	16	0445-046	1	Cable, Battery/Solenoid
4	0430-037	1	● Holder, Fuse	17	0645-019	1	Boot, Terminal
5	0430-034	3	● Diode	18	0412-291	1	Shield, Heat
6	0430-033	4	● Relay	19	1406-787	1	Tray, Electrical
7	0430-032	2	● Fuse - 10 Amp	20	0123-010	4	Nut, Expansion
	0430-031	4	● Fuse - 15 Amp	21	0623-121	4	Screw, Machine
	0430-030	2	● Fuse - 30 Amp	22	0824-034	1	CDI Unit
8	1411-130	1	● Decal, Fuse Block	23	<u>0409-072</u>	1	Switch, Brake - Assembly
9	0123-788	AR	● Cable Tie - 7.5 in.	24	0445-045	1	Cable, Battery/Ground
10	0824-020	1	Regulator, Voltage	25	<u>0824-036</u>	1	Coil, Ignition - Assembly
11	8476-625	4	Screw, Machine	26	0824-021	1	Cap, Spark Plug
12	0623-038	8	Nut w/Washer	27	0123-903	AR	Cable Tie - 11.5 in.
13	0445-036	1	Solenoid				

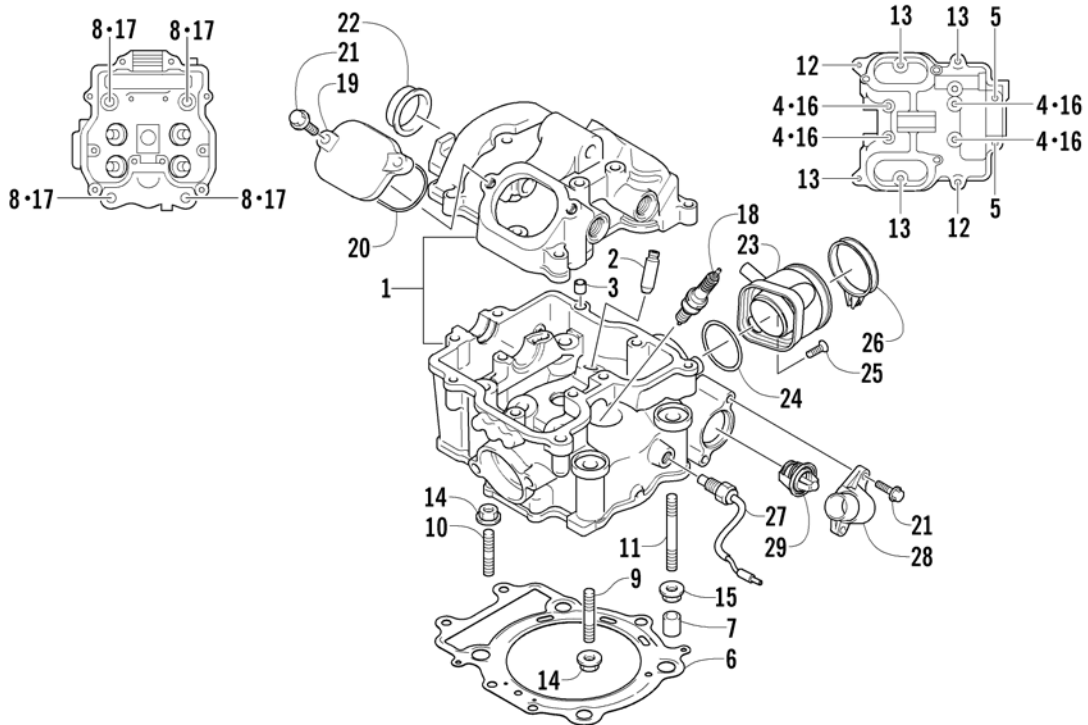


# CARBURETOR

CVK40-AE (Complete Assembly p/n 0470-482)

0740-596 \*Not a Service Part \*\*Optional

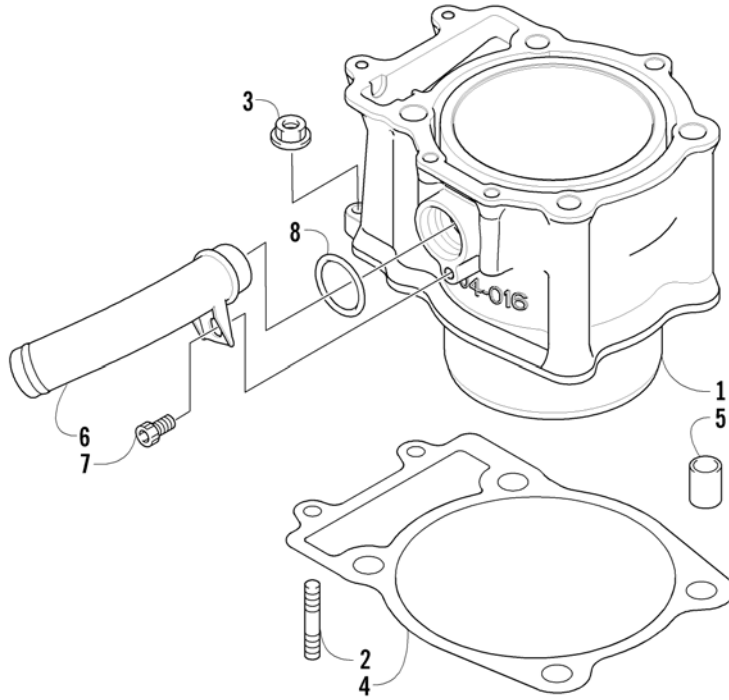
Ref.	Part No.	Qty.	Description	Ref.	Part No.	Qty.	Description
1	5507-186	1	Cover, Top	17	*	1	● Spring
2	5507-187	4	Screw, Top Cover	18	*	1	● Washer
3	5507-188	1	Spring	19	*	1	● O-Ring
4	5507-189	1	Piston, Vacuum	20	5507-027	1	Screw, Idle Adjust
5	5507-190	1	Seat, Spring	21	5507-028	1	Washer
6	5507-191	1	Jet Needle	22	5507-029	1	Spring
7	5507-192	1	Needle Jet	23	5507-115	1	Plate
8	5507-193	1	Holder, Needle Jet	24	5507-117	1	Screw
9	5507-076	1	Main Jet - 138	25	5507-196	1	Choke, Electric
	5507-072	1	Main Jet - 125**	26	5507-114	1	Cover, Electric Choke
	5507-073	1	Main Jet - 128**	27	5507-116	1	Diaphragm Assembly
	5507-074	1	Main Jet - 130**	28	5507-104	1	Spring
	5507-075	1	Main Jet - 132**	29	5507-105	1	Cover
	5507-057	1	Main Jet - 135**	30	5507-106	2	Screw
	5507-043	1	Main Jet - 142**	31	5507-102	1	U-Ring
	5507-042	1	Main Jet - 145**	32	*	1	Chamber, Float - Assembly (inc. 33-38)
	5507-041	1	Main Jet - 148**	33	5507-195	1	● Screw, Drain
	5507-086	1	Main Jet - 148**	34	5507-032	1	● Spring
	5507-009	1	Main Jet - 150**	35	5507-197	1	● Diaphragm Assembly - Pump Housing
	5507-077	1	Main Jet - 152**	36	*	1	● Housing, Pump
	5507-078	1	Main Jet - 155**	37	5507-034	1	● U-Ring
10	5507-194	1	Slow Jet	38	5507-035	3	● Screw
11	5507-112	1	Starter Jet - 85	39	5507-017	4	Screw
12	5507-183	1	Valve, Float - Set (inc. 13)	40	0487-021	1	Cable, Throttle
13	*	1	● Clip	41	5507-036	1	Cover
14	5507-039	1	Float Set (inc. 15)	42	5507-037	1	Screw
15	*	1	● Pin, Float	43	0410-056	1	Hose, Vent
16	5507-111	1	Screw, Pilot Air - Set (inc. 17-19)				



## CYLINDER HEAD ASSEMBLY

0739-926

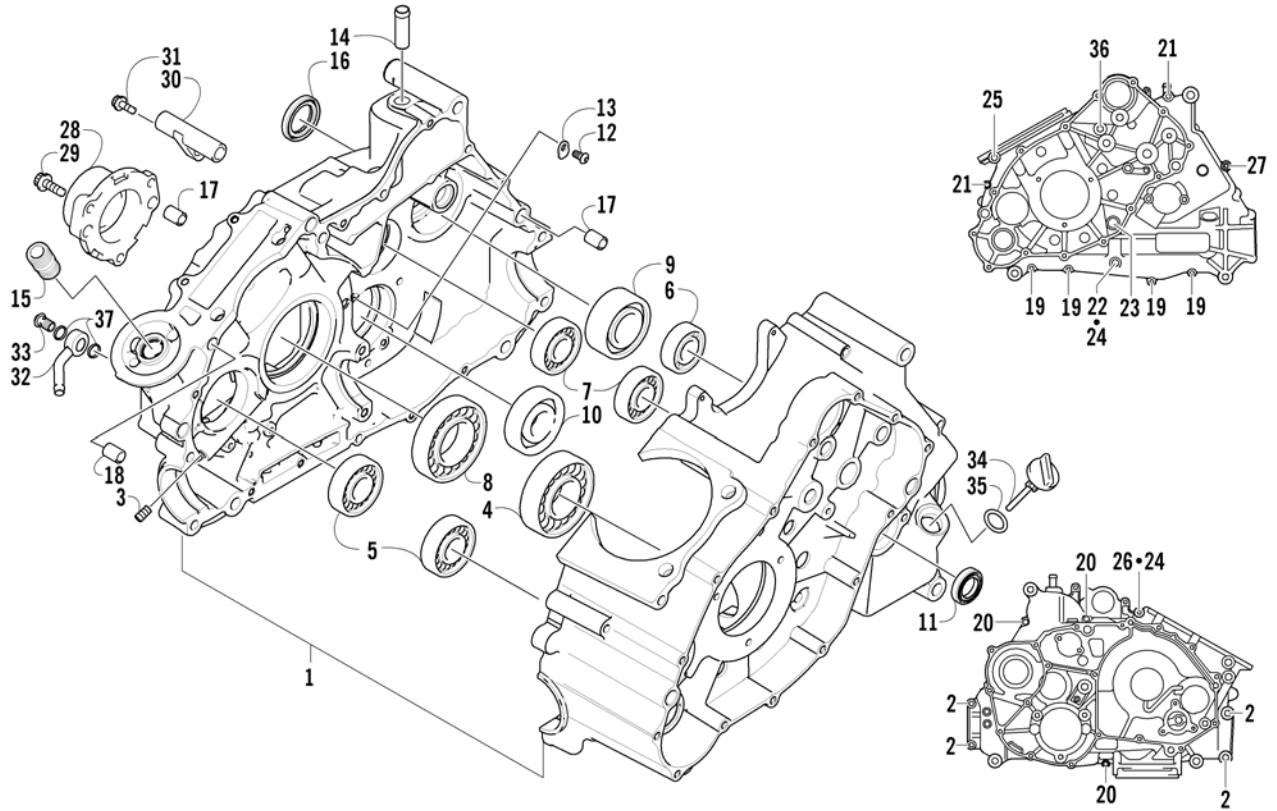
Ref.	Part No.	Qty.	Description	Ref.	Part No.	Qty.	Description
1	0808-047	1	Head, Cylinder - Assembly (inc. 2-4)	16	0830-107	4	Gasket - Seal, Fastener
2	0808-002	4	● Guide, Valve	17	0830-003	4	Washer, Crush
3	0829-001	2	● Dowel, Sleeve	18	0217-727	1	Spark Plug (RG6YC)
4	0826-001	4	● Screw, Cap	19	0808-003	2	Cap, Inspection
5	0826-002	2	Screw, Cap	20	0830-004	2	O-Ring
6	0830-124	1	Gasket, Cylinder Head	21	0826-007	4	Screw, Cap
7	0829-002	2	Pin, Dowel	22	0808-077	1	Plug, Cylinder Head
8	0808-037	4	Screw, Cap	23	0570-101	1	Pipe, Intake - Assembly
9	0827-030	2	Bolt, Stud	24	0830-090	1	O-Ring
10	0827-002	2	Bolt, Stud	25	0826-008	2	Screw, Machine
11	0827-031	1	Bolt, Stud	26	0423-066	1	Clamp, Intercooler
12	0826-005	2	Screw, Cap	27	0808-007	1	Switch, Water Temperature - Assembly
13	0826-006	4	Screw, Cap	28	0808-008	1	Cover, Thermostat
14	8424-604	4	Nut	29	0808-078	1	Thermostat
15	8424-804	1	Nut				



## CYLINDER ASSEMBLY

0739-929

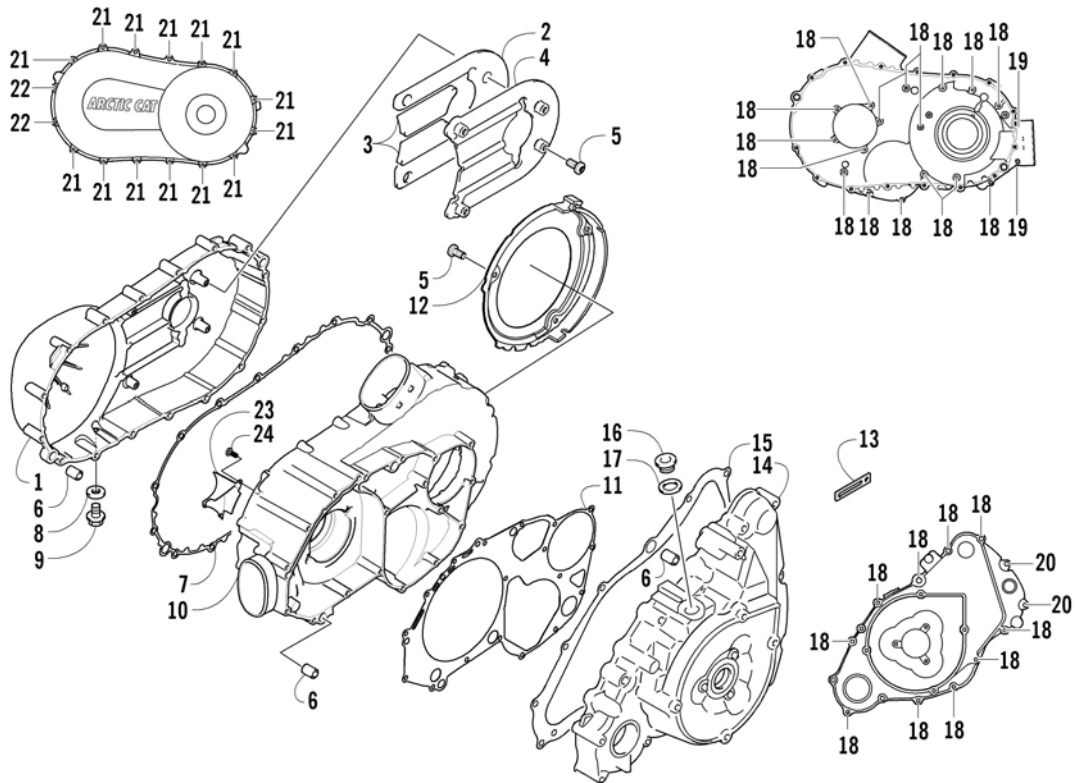
Ref.	Part No.	Qty.	Description	Ref.	Part No.	Qty.	Description
1	0804-016	1	Cylinder	5	0829-002	2	Pin, Dowel
2	0827-002	2	Bolt, Stud	6	0804-002	1	Union, Water Hose
3	8424-604	2	Nut	7	8468-612	1	Screw, Machine
4	0830-084	1	Gasket, Base	8	0830-007	1	O-Ring



## CRANKCASE ASSEMBLY

0739-931

Ref.	Part No.	Qty.	Description	Ref.	Part No.	Qty.	Description
1	0801-056	1	Crankcase Assembly (inc. 2-16)	20	8468-655	3	Screw, Machine
2	8412-850	4	● Screw, Cap	21	8468-675	2	Screw, Machine
3	0801-002	2	● Plug	22	8412-860	1	Screw, Cap
4	0832-003	1	● Bearing	23	0826-017	1	Screw, Cap
5	0832-005	2	● Bearing	24	0830-008	2	Gasket
6	0832-013	1	● Bearing	25	0826-019	1	Screw, Cap
7	0832-014	2	● Bearing	26	0826-018	1	Screw, Cap
8	0832-002	1	● Bearing	27	8468-695	1	Screw, Machine
9	0832-012	1	● Bearing	28	0801-006	1	Housing, Secondary Shaft Bearing
10	0832-015	1	● Bearing	29	0826-105	3	Bolt
11	0822-052	1	● Seal, Countershaft	30	0801-003	1	Pipe, Breather
12	0826-100	2	● Screw, Cap	31	0826-038	1	Bolt, Breather Pipe
13	0822-010	2	● Retainer, Bearing	32	0812-028	2	Fitting, Oil Cooler
14	0801-028	1	● Pipe, Breather	33	0812-025	2	Bolt, Oil Cooler Fitting
15	0812-008	1	● Union, Oil Filter	34	0801-005	1	Stick, Oil Level
16	0830-035	1	● Seal, Driveshaft	35	0830-010	1	O-Ring, Oil Level Stick
17	0829-002	5	Pin, Dowel	36	8468-680	1	Screw, Machine
18	0829-003	1	Pin, Dowel	37	0812-026	4	Gasket
19	8468-645	4	Screw, Machine				

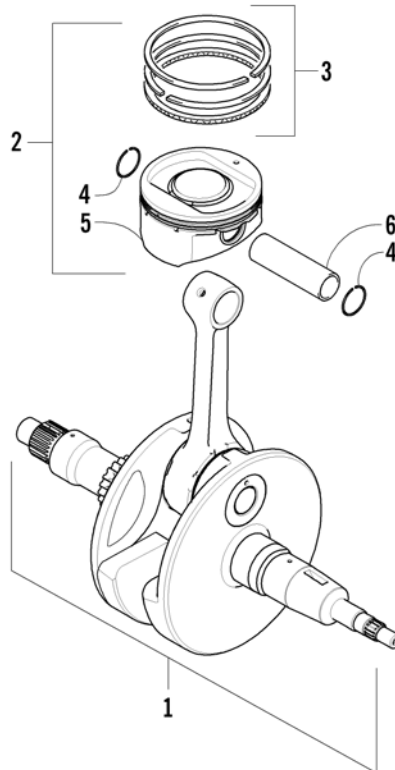


## CLUTCH/V-BELT/MAGNETO COVER ASSEMBLY

0739-939

Ref.	Part No.	Qty.	Description	Ref.	Part No.	Qty.	Description
1	0806-014	1	Cover, V-Belt	13	3002-964	1	Clamp, Wire
2	0806-015	1	Damper, V-Belt Cover	14	0806-021	1	Cover, Magneto
3	0806-016	2	Damper, V-Belt Cover	15	0830-128	1	Gasket, Magneto Cover
4	0806-017	1	Plate, V-Belt Cover	16	0806-022	1	Plug
5	0826-029	7	Screw	17	0830-015	1	Gasket, Plug
6	0829-002	4	Pin, Dowel	18	8468-640	26	Screw, Machine
7	0830-012	1	Gasket, V-Belt Cover	19	8468-675	2	Screw, Machine
8	0830-013	1	Gasket	20	8468-625	2	Screw, Machine
9	8408-812	1	Screw, Cap	21	8468-645	14	Screw, Machine
10	0806-013	1	Cover, Clutch	22	8468-655	2	Screw, Machine
11	0830-116	1	Gasket, Clutch Cover	23	0806-061	1	Deflector, Air - Clutch Cover
12	0806-048	1	Plate, Air Intake	24	0623-914	3	Screw, Self-Tapping

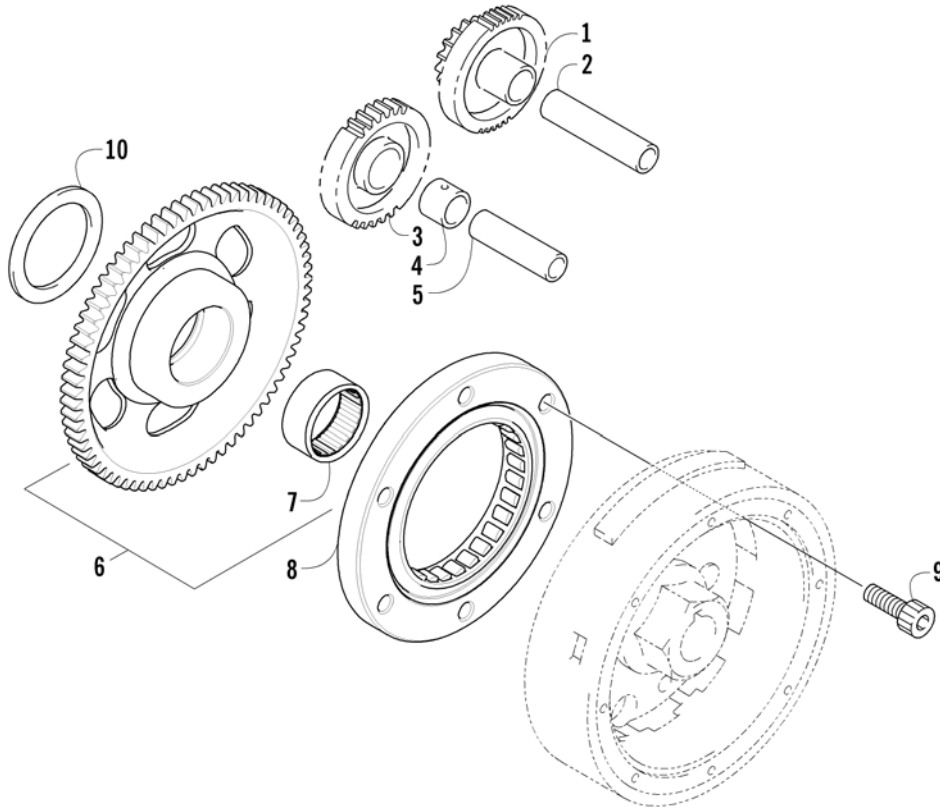




## CRANKSHAFT ASSEMBLY

0739-932

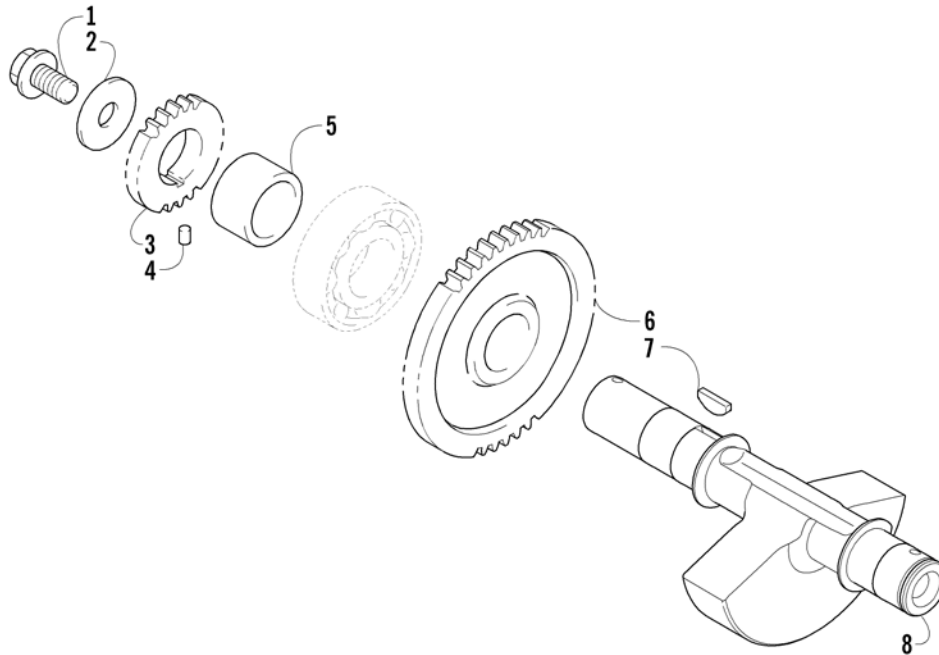
Ref.	Part No.	Qty.	Description	Ref.	Part No.	Qty.	Description
1	0805-032	1	Crankshaft Assembly	4	0831-001	2	● Circlip, Piston Pin
2	0805-035	1	Piston Set (inc. 3-6)	5	0805-010	1	● Piston
3	0805-011	1	● Ring, Piston - Set	6	0805-012	1	● Pin, Piston



## STARTER CLUTCH ASSEMBLY

0739-940

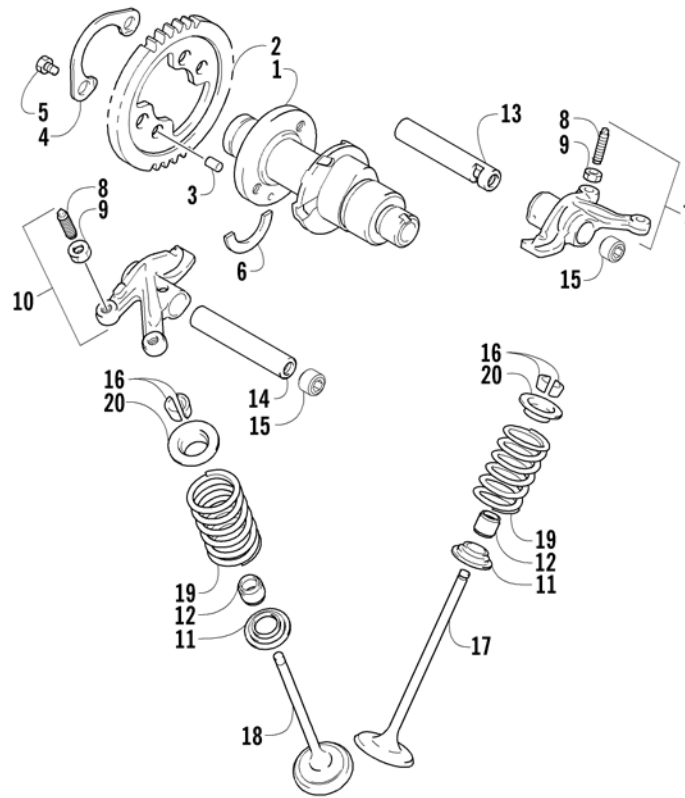
Ref.	Part No.	Qty.	Description	Ref.	Part No.	Qty.	Description
1	0815-001	1	Gear, Starter Idler - No. 1	6	0815-004	1	Gear, Starter Clutch (inc. 7)
2	0829-004	1	Shaft, Starter Gear	7	0832-004	1	● Bearing
3	0815-002	1	Gear, Starter Idler - No. 2	8	0802-035	1	Clutch, Starter
4	0815-003	1	Spacer, Starter Idler Gear No. 2	9	0826-069	6	Screw, Machine
5	0829-005	1	Shaft, Starter Gear	10	0828-002	1	Washer



## CRANK BALANCER ASSEMBLY

0739-941

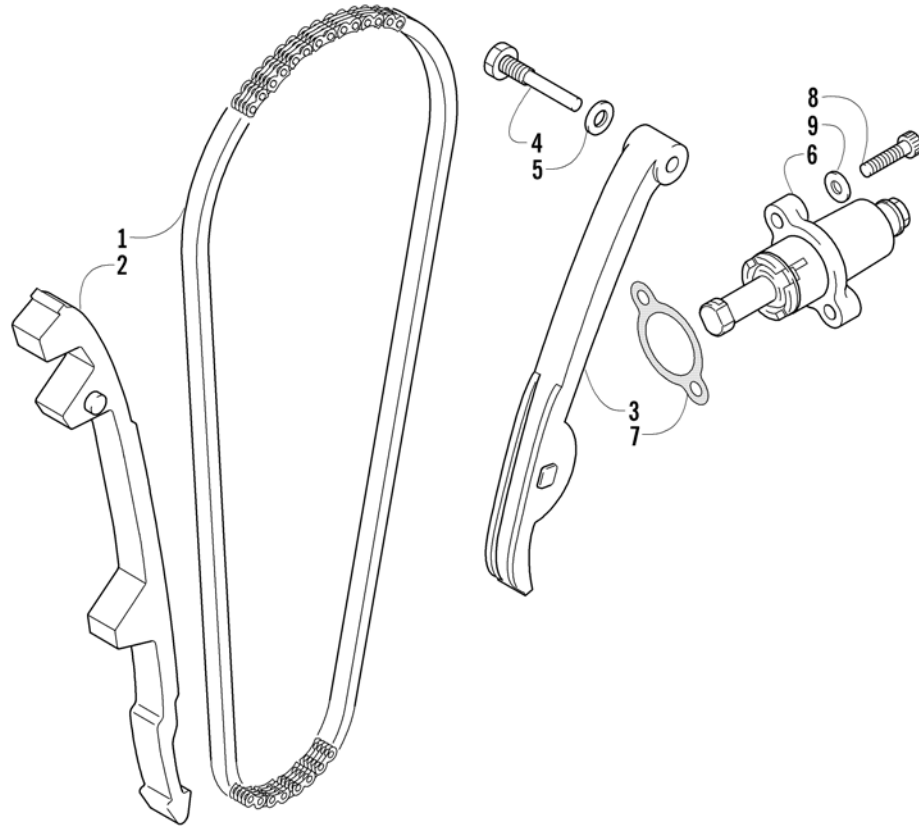
Ref.	Part No.	Qty.	Description	Ref.	Part No.	Qty.	Description
1	0826-033	1	Screw, Cap	5	0811-004	1	Spacer
2	0828-003	1	Washer	6	0811-002	1	Gear, Driven
3	0811-003	1	Gear, Oil Pump Drive	7	0829-006	1	Key
4	0829-007	1	Pin, Dowel - Solid	8	0811-017	1	Balancer, Crank



## CAMSHAFT/VALVE ASSEMBLY

0739-942

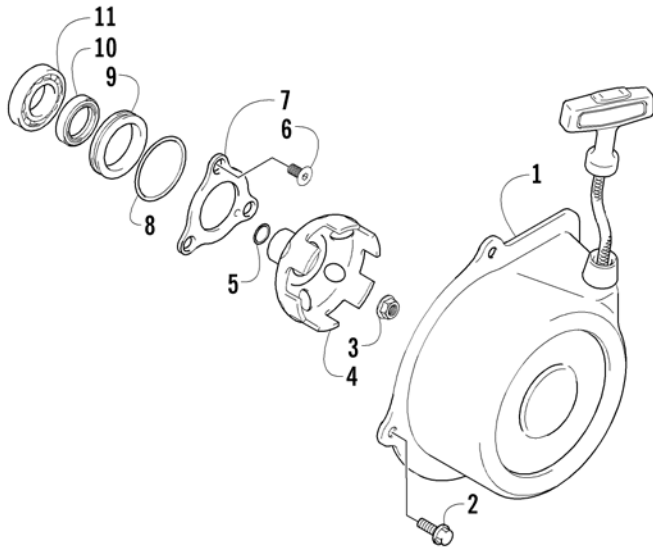
Ref.	Part No.	Qty.	Description	Ref.	Part No.	Qty.	Description
1	0809-128	1	Camshaft	11	0809-006	4	Seat, Spring
2	0809-002	1	Sprocket	12	0830-016	4	Seal, Oil
3	0829-008	1	Pin	13	0809-007	1	Shaft, Rocker Arm
4	0828-004	1	Washer	14	0809-008	1	Shaft, Rocker Arm
5	0826-034	2	Bolt	15	0831-041	2	Plug, Shaft
6	0809-003	1	C-Ring	16	0809-014	8	Cotter, Valve
7	0809-004	1	Arm, Valve Rocker - Intake (inc. two No. 8-9)	17	0809-039	2	Valve, Intake
8	0809-033	4	● Screw	18	0809-040	2	Valve, Exhaust
9	0827-007	4	● Nut	19	0809-012	4	Spring, Valve
10	0809-005	1	Arm, Valve Rocker - Exhaust (inc. two No. 8-9)	20	0809-013	4	Retainer, Spring



## CAM CHAIN ASSEMBLY

0732-308

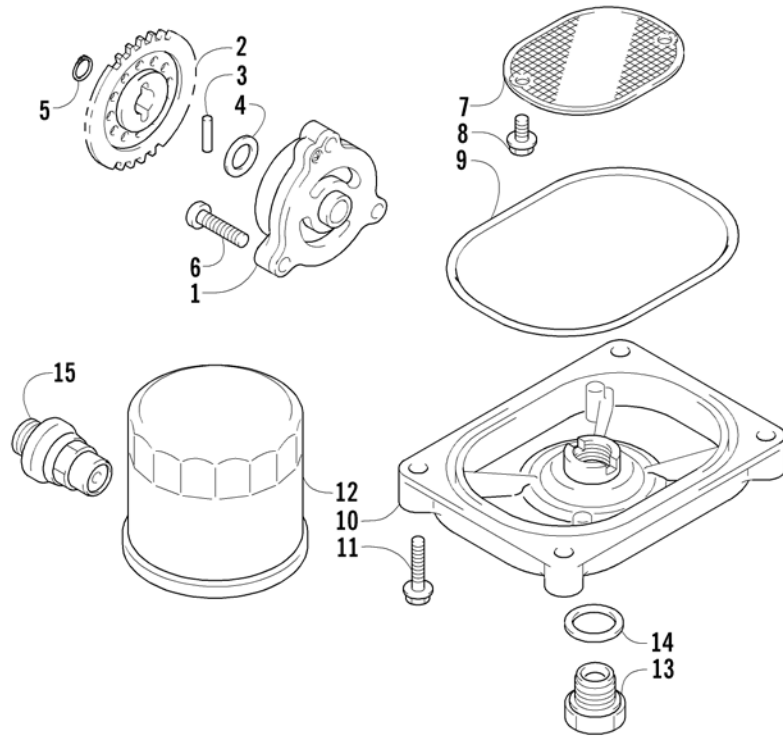
Ref.	Part No.	Qty.	Description	Ref.	Part No.	Qty.	Description
1	0810-001	1	Chain, Cam	6	0810-004	1	Adjuster, Tensioner - Assembly
2	0810-002	1	Guide, Chain	7	0830-018	1	Gasket
3	0810-003	1	Tensioner, Chain	8	8468-625	2	Screw, Machine
4	0826-036	1	Bolt	9	0830-107	2	Gasket
5	0830-025	1	Washer				



## RECOIL STARTER ASSEMBLY

0739-943

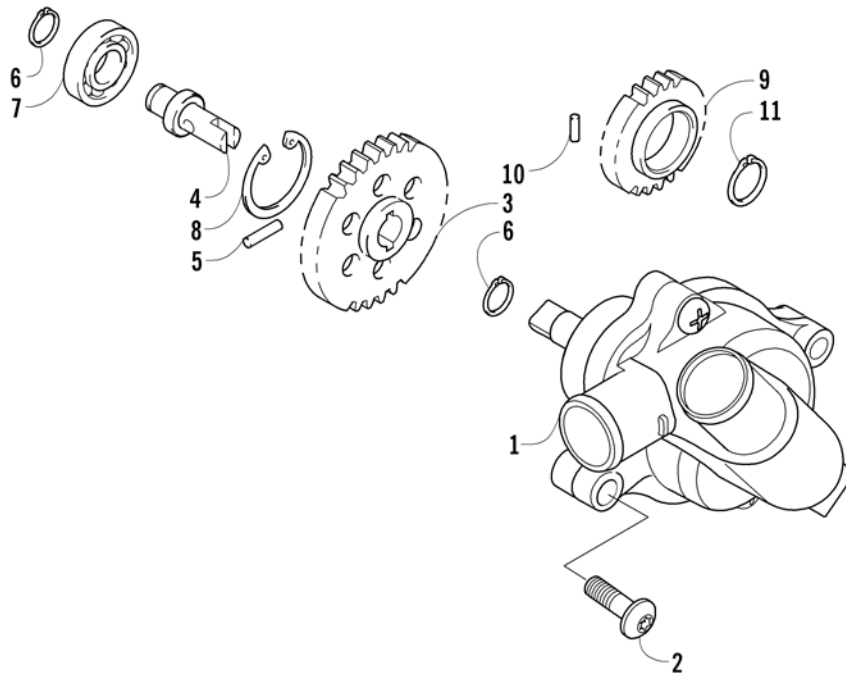
Ref.	Part No.	Qty.	Description	Ref.	Part No.	Qty.	Description
1	0820-001	1	Starter, Recoil - Assembly	7	0805-008	1	Retainer, Oil Seal
2	0826-038	4	Screw, Machine	8	0830-021	1	O-Ring
3	0827-008	1	Nut	9	0820-007	1	Spacer
4	0820-006	1	Cup, Starter	10	0830-022	1	Seal, Oil
5	0830-108	1	O-Ring	11	0832-006	1	Bearing
6	0826-031	3	Screw				



## OIL FILTER/PUMP ASSEMBLY

0739-944

Ref.	Part No.	Qty.	Description	Ref.	Part No.	Qty.	Description
1	0812-023	1	Pump, Oil	9	0830-023	1	O-Ring
2	0812-002	1	Gear, Driven	10	0812-004	1	Cap, Oil Strainer
3	0829-009	1	Pin	11	8468-625	4	Screw, Machine
4	0828-007	1	Washer	12	0812-029	1	Filter, Oil
5	0831-002	1	Circlip	13	0812-006	1	Plug, Drain
6	0826-039	3	Screw, Cap	14	0830-017	1	Gasket, Drain Plug
7	0812-003	1	Strainer, Oil	15	0812-007	1	Valve, Oil Relief - Assembly
8	0826-040	2	Screw, Machine				

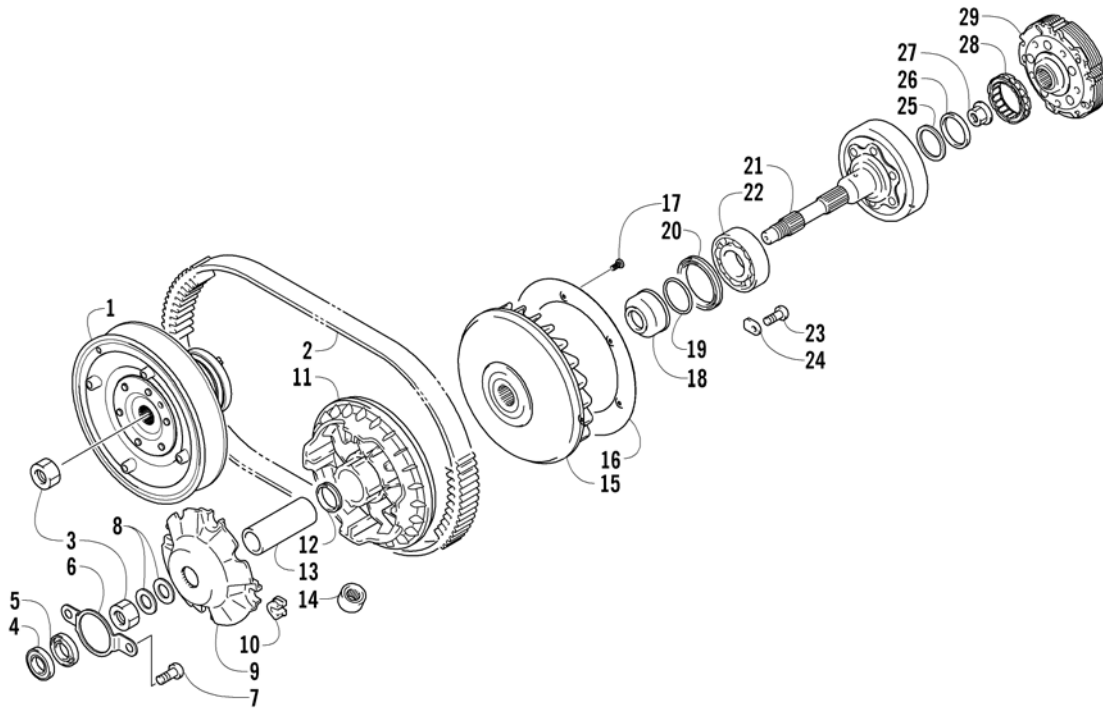


## WATER PUMP ASSEMBLY

0739-945

Ref.	Part No.	Qty.	Description	Ref.	Part No.	Qty.	Description
1	0813-001	1	Pump, Water - Assembly	7	0832-008	1	Bearing, Shaft
2	8468-665	2	Screw, Machine	8	0831-004	1	Circlip, Shaft Bearing
3	0813-004	1	Gear, Driven	9	0811-003	1	Gear, Water Pump Drive
4	0813-005	1	Shaft, Driven Gear	10	0829-007	1	Pin, Drive Gear
5	0829-009	1	Pin, Driven Gear	11	0831-005	1	Circlip, Drive Gear
6	0831-002	2	Circlip, Driven Gear				

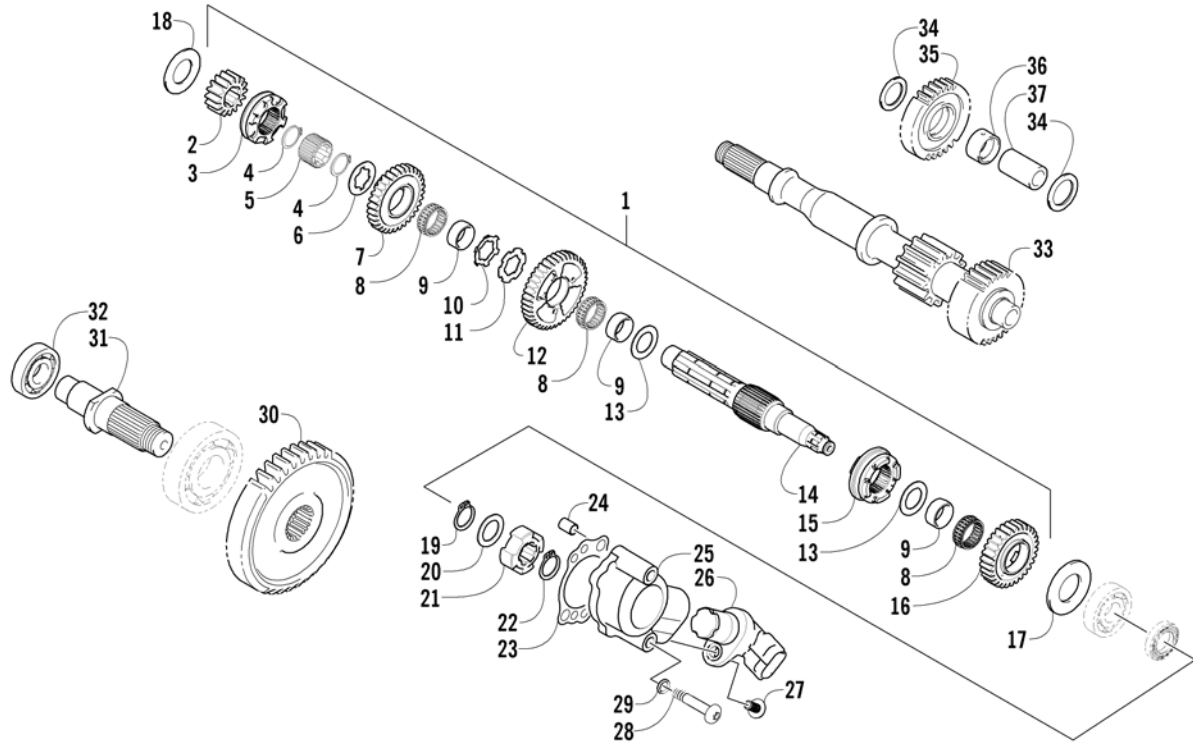




## TRANSMISSION ASSEMBLY

0741-055

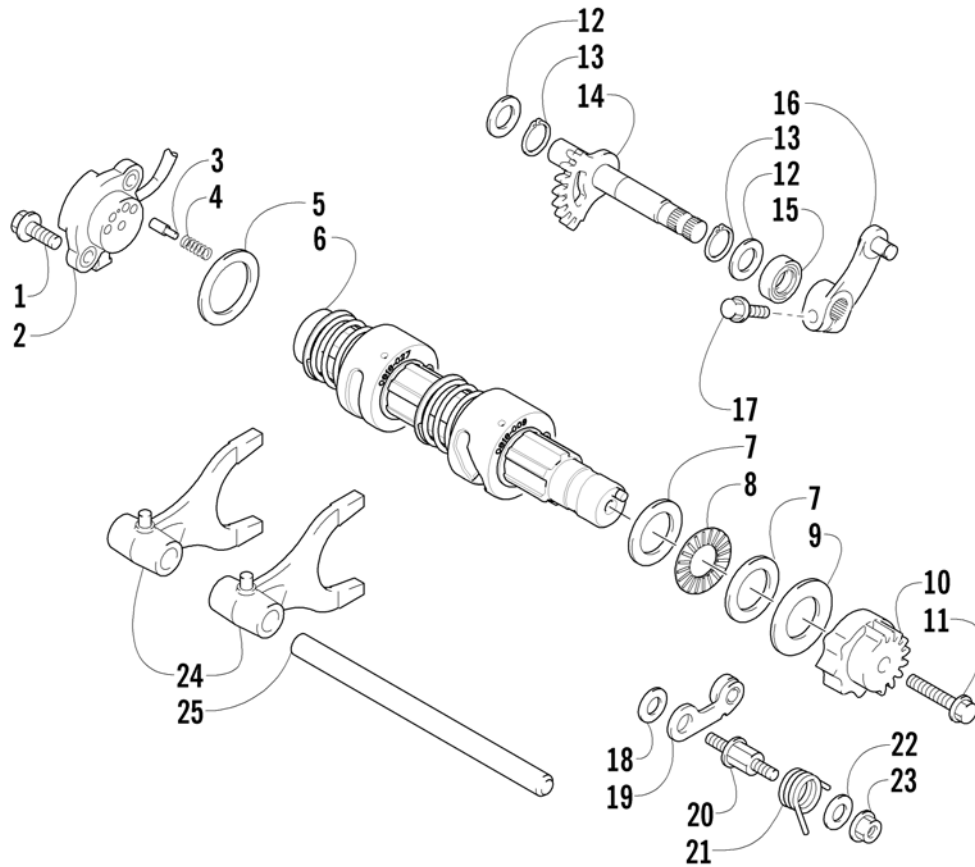
Ref.	Part No.	Qty.	Description	Ref.	Part No.	Qty.	Description
1	0823-157	1	Pulley, Driven - Assembly	16	0823-131	1	Shroud, Drive Face
2	0823-013	1	Belt, Drive	17	0623-914	6	Screw, Self-Tapping
3	0827-010	2	Nut	18	0823-015	1	Spacer, Fixed Drive Face
4	0832-010	1	Bearing	19	0470-531	1	O-Ring
5	0823-016	1	Seal, Clutch Housing - Right	20	0830-034	1	Seal, Clutch Housing - Right
6	0823-020	1	Retainer, Bearing	21	0823-096	1	Housing, Clutch
7	0826-031	2	Screw	22	0832-009	1	Bearing
8	0822-046	2	Shim	23	0826-029	2	Screw, Bearing Retainer
9	0823-008	1	Plate, Movable Drive Face	24	0822-010	2	Retainer, Bearing
10	0823-010	4	Damper, Movable Drive Face	25	0828-075	1	Shim
11	0823-002	1	Face, Movable Drive (inc. 12)	26	0823-017	1	Seal, Clutch Housing - Left
12	0830-030	2	● Seal, Movable Drive Face	27	0827-011	1	Nut
13	0823-133	1	Spacer, Movable Drive Face	28	0823-018	1	Clutch, One-Way
14	0823-012	8	Roller, Movable Drive Face	29	0823-098	1	Clutch, Centrifugal - 6 Plate
15	0823-001	1	Face, Fixed Drive				



## SECONDARY TRANSMISSION ASSEMBLY

0739-954

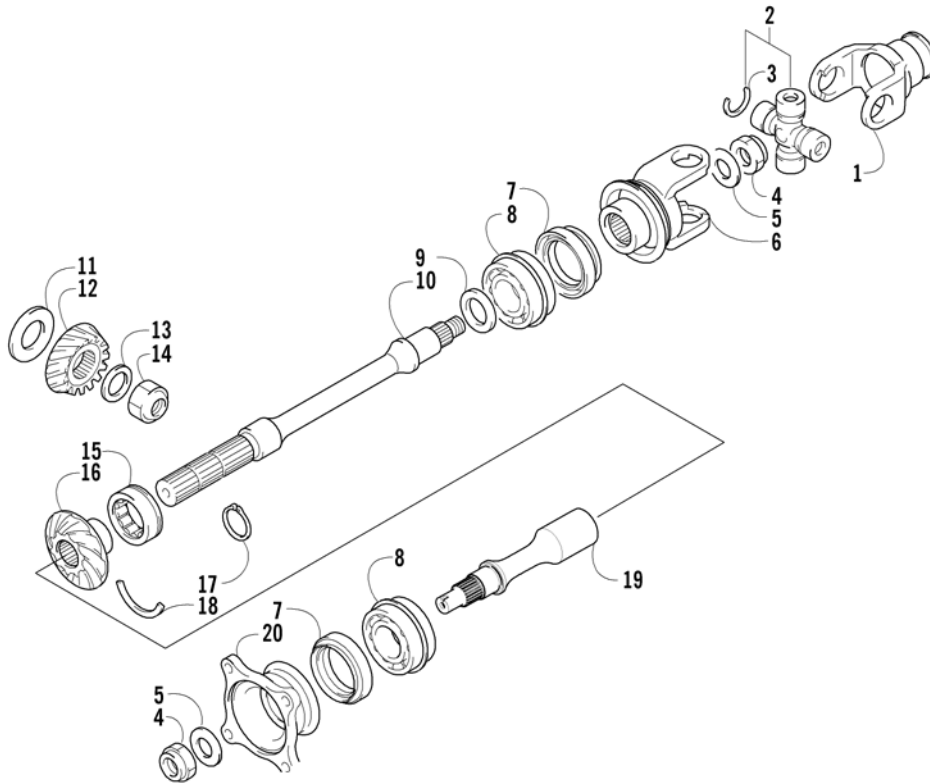
Ref.	Part No.	Qty.	Description	Ref.	Part No.	Qty.	Description
1	0822-048	1	Countershaft Assembly (inc. 2-16)	20	0828-069	1	Washer, Thrust
2	0822-008	1	● Gear, Drive - No. 2	21	0822-050	1	Trigger, Speedometer Sensor
3	0822-014	1	● Dog, Reverse Driven Gear	22	0831-040	1	Ring, Retaining
4	0831-011	2	● Circlip	23	0830-129	1	Gasket
5	0822-045	1	● Spacer, Reverse Driven Gear	24	0829-023	2	Pin, Dowel
6	0828-008	1	● Washer	25	0822-049	1	Housing, Speedometer Sensor
7	0822-013	1	● Gear, Reverse Driven	26	0824-015	1	Sensor, Speedometer
8	0832-011	3	● Bearing	27	8468-620	1	Screw, Machine
9	0822-005	3	● Bushing	28	8468-645	2	Screw, Machine
10	0828-014	1	● Washer, Lock	29	0830-107	2	Seal, Fastener
11	0828-015	1	● Washer, Lock	30	0822-009	1	Gear, Driven - No. 2
12	0822-004	1	● Gear, Driven - Low	31	0822-037	1	Shaft, Output
13	0822-046	2	● Washer, Driven Gear	32	0832-014	1	Bearing
14	0822-003	1	● Countershaft	33	0822-001	1	Driveshaft
15	0822-007	1	● Dog, Sliding	34	0828-016	2	Washer, Reverse Idle Gear
16	0822-006	1	● Gear, Driven - High	35	0822-011	1	Gear, Reverse Idle
17	0828-011	1	Washer, Drive Gear - Left	36	0822-012	1	Bushing, Reverse Idle Gear
18	0828-010	1	Washer, Drive Gear - Right	37	0822-015	1	Shaft, Reverse Idle
19	0831-039	1	Ring, Retaining				



## GEAR SHIFTING ASSEMBLY

0739-957

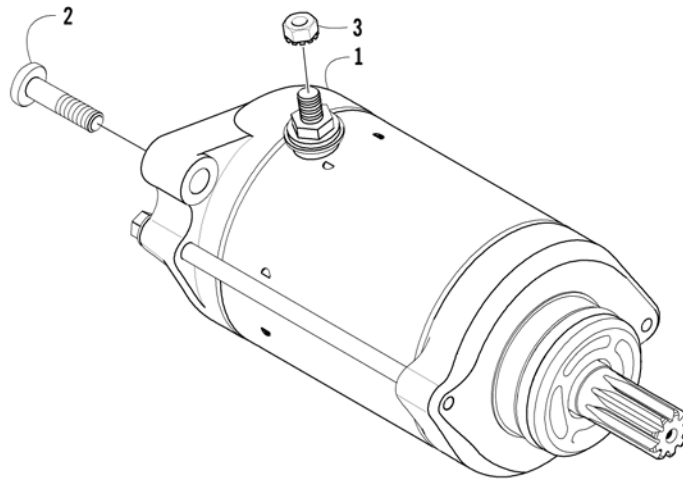
Ref.	Part No.	Qty.	Description	Ref.	Part No.	Qty.	Description
1	8470-520	2	Screw, Machine	14	0818-007	1	Shaft, Sub-Gear Shift
2	0818-049	1	Base, Gear Shift - Assembly	15	0830-044	1	Seal, Sub-Gear Shift Shaft
3	0818-013	2	Contact	16	0818-014	1	Arm, Select
4	0818-017	2	Spring	17	8468-620	1	Screw, Machine
5	0828-040	1	Washer, Shift Shaft	18	0828-038	1	Washer, Cam Stopper
6	0818-046	1	Shaft, Gear Shift - Assembly	19	0818-002	1	Stopper, Cam
7	0828-067	2	Washer, Shift Shaft	20	0818-004	1	Support, Cam Stopper
8	0832-034	1	Bearing	21	0818-028	1	Spring, Cam Stopper
9	0828-037	1	Washer, Gear Shift Cam Plate	22	0828-035	1	Washer, Cam Stopper Spring
10	0818-005	1	Plate, Gear Shift Cam	23	8424-602	1	Nut, Cam Stopper Spring
11	0826-006	1	Bolt, Gear Shift Cam Plate	24	0818-045	2	Fork, Shift
12	0828-036	2	Washer, Sub-Gear Shift Shaft	25	0818-006	1	Shaft, Shift Fork
13	0831-010	2	Circlip, Sub-Gear Shift Shaft				



## SECONDARY DRIVE ASSEMBLY

0739-956

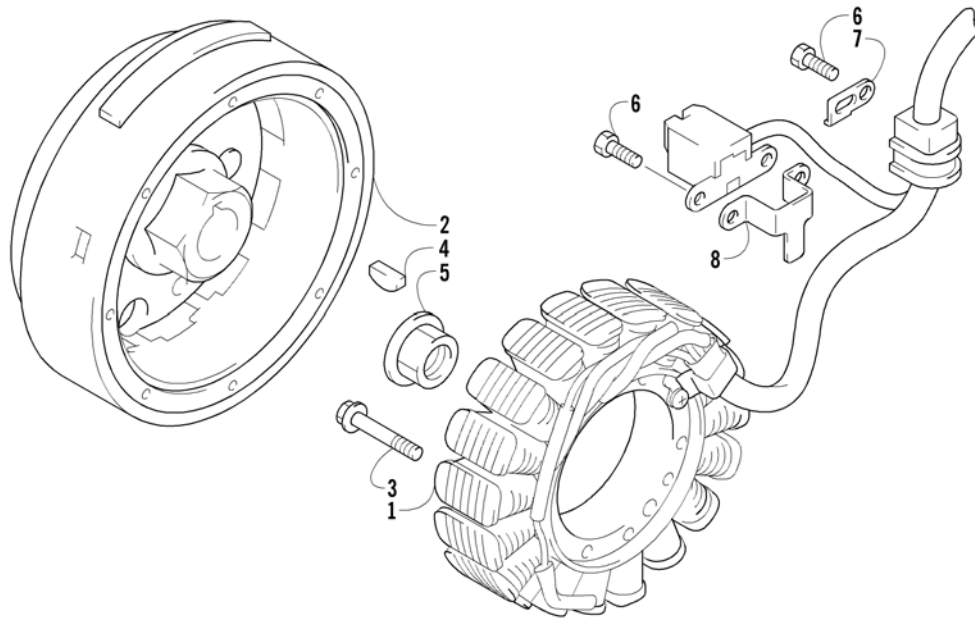
Ref.	Part No.	Qty.	Description	Ref.	Part No.	Qty.	Description
1	0819-063	1	Yoke, Propeller Shaft Joint	11	0828-030	AR	Shim, 24 x 34 x 0.25 mm
2	1402-164	1	Joint, Universal - Set (inc. 3)		0828-031	AR	Shim, 24 x 34 x 0.30 mm
3	0423-450	4	● Circlip		0828-032	AR	Shim, 24 x 34 x 0.35 mm
4	0827-013	2	Nut, Rear Output Joint		0828-033	AR	Shim, 24 x 34 x 0.90 mm
5	0828-020	2	Washer, Rear Output Flange		0828-018	AR	Shim, 24 x 34 x 0.95 mm
6	0819-061	1	Yoke, Drive Output - Front		0828-062	AR	Shim, 24 x 34 x 1.00 mm
7	0830-043	2	Seal, Oil - Driven Shaft		0828-063	AR	Shim, 24 x 34 x 1.05 mm
8	0832-017	2	Bearing, Driven Shaft		0828-064	AR	Shim, 24 x 34 x 1.10 mm
9	0828-021	AR	Shim, 25 x 34 x 0.25 mm		0828-065	AR	Shim, 24 x 34 x 1.15 mm
	0828-022	AR	Shim, 25 x 34 x 0.30 mm	12	0819-001	1	Gear, Secondary Drive
	0828-023	AR	Shim, 25 x 34 x 0.70 mm	13	0828-019	1	Washer
	0828-024	AR	Shim, 25 x 34 x 0.90 mm	14	0827-012	1	Nut
	0828-025	AR	Shim, 25 x 34 x 0.95 mm	15	0832-016	1	Bearing, Driven Gear
	0828-026	AR	Shim, 25 x 34 x 1.00 mm	16	0819-002	1	Gear, Secondary Driven
	0828-027	AR	Shim, 25 x 34 x 1.05 mm	17	0831-008	1	Circlip, Secondary Driven Gear
	0828-028	AR	Shim, 25 x 34 x 1.10 mm	18	0819-011	1	Ring, Driven Bearing
	0828-029	AR	Shim, 25 x 34 x 1.15 mm	19	0819-053	1	Shaft, Secondary Driven - Rear
10	0819-003	1	Shaft, Secondary Driven - Front	20	0819-005	1	Flange, Output Joint - Rear



## STARTER MOTOR ASSEMBLY

0739-958

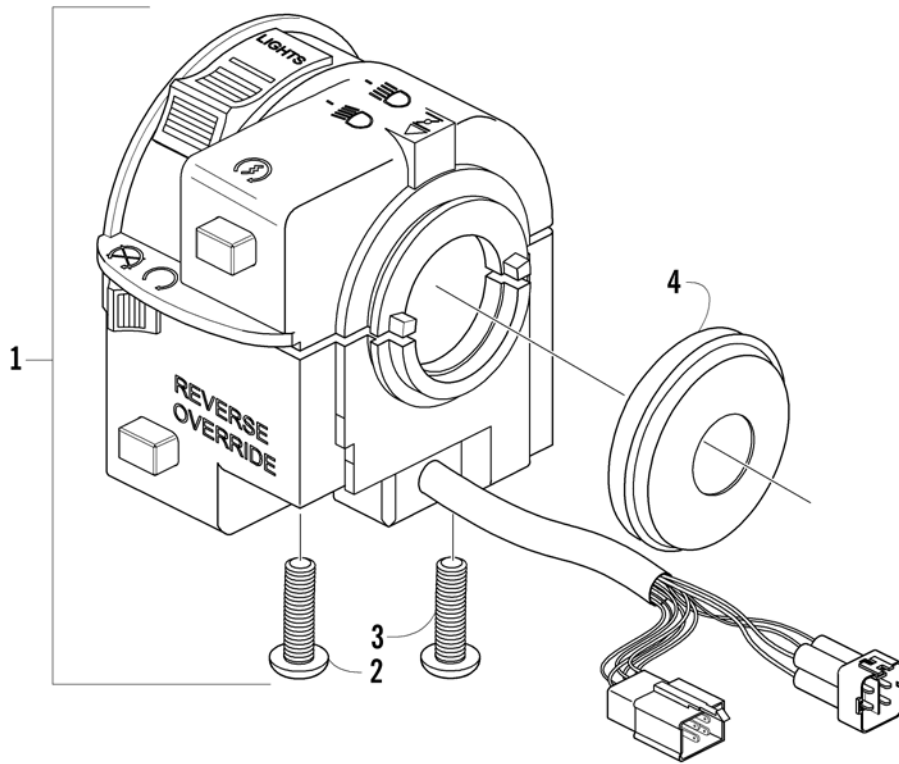
Ref.	Part No.	Qty.	Description	Ref.	Part No.	Qty.	Description
1	0825-001	1	Motor, Starter - Assembly	3	0623-038	1	Nut w/Washer
2	8468-630	2	Screw, Machine				



## MAGNETO ASSEMBLY

0737-780

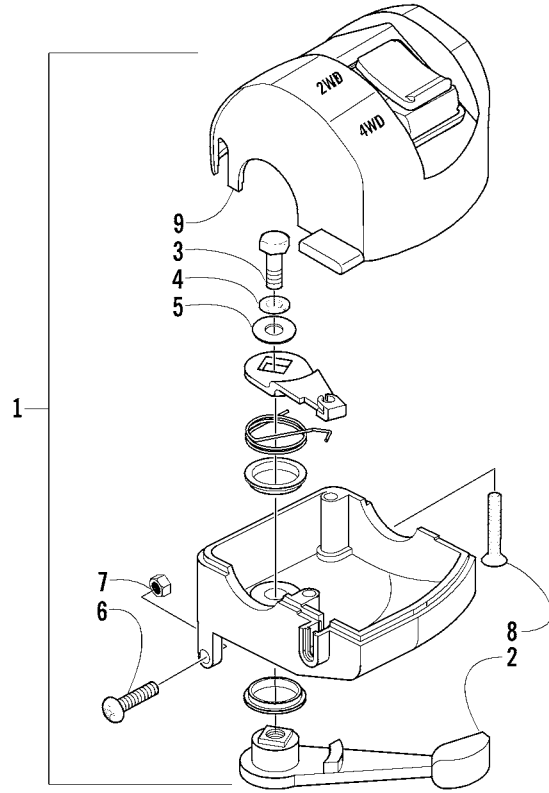
Ref.	Part No.	Qty.	Description	Ref.	Part No.	Qty.	Description
1	0802-037	1	Stator - Assembly	5	0827-014	1	Nut
2	0802-036	1	Rotor/Flywheel	6	8470-510	3	Screw, Machine
3	0826-102	3	Screw, Machine	7	0802-015	1	Clamp - No. 1
4	0829-012	1	Key	8	0802-016	1	Clamp - No. 2



## CONTROL SWITCH HOUSING ASSEMBLY

0739-980

Ref.	Part No.	Qty.	Description	Ref.	Part No.	Qty.	Description
1	0509-014	1	Switch, Control - Assembly (inc. 2-3)	3	0409-028	1	● Screw
2	0409-027	1	● Screw	4	3409-019	1	Cover, Choke Lever



## THROTTLE CASE ASSEMBLY

0738-414

Ref.	Part No.	Qty.	Description	Ref.	Part No.	Qty.	Description
1	0509-012	1	Case, Throttle - Assembly (inc. 2-9)	6	3423-014	1	● Screw
2	3409-001	1	● Lever	7	3423-327	1	● Nut
3	3004-533	1	● Screw, Cap	8	3423-199	2	● Screw
4	3004-447	1	● Washer, Lock	9	0409-048	1	● Cover, Throttle Case w/Switch
5	3003-030	1	● Washer				



# RELATED ITEMS

## 2006 ATV 650 H1 SE

(Model No. A2006IBS4BUSO)

0436-479	Articulating Spool Mount	0436-787	License Plate Kit
0436-548	Articulating Spool Receiver Mount Adapter	0436-463	Light Bar
0436-679	Bag, Fender - Black	2257-461	Manual, Illustrated Parts
0436-660	Bag, Rack, Front - Black	2257-299	Manual, Operator's (E)
0436-480	Bar, Utility/Gun Rack	2257-313	Manuel d'utilisation (F)
0436-811	Basket, Open-End	0436-635	Plow Attachment Kit
0436-462	Bucket Holder	0436-228	Plow Blade, 50 in. - Straight
0436-464	Camp Stove Cradle	0436-287	Plow Blade, 50 in. - One-Way
0436-454	Cargo Box	0436-296	Plow Blade, 60 in. - Straight
0436-625	Cargo Box Quick-Release Kit	0436-360	Plow Blade, 60 in. - One-Way
0436-828	Carrier, Pro Grip	0436-636	Plow, Push Frame
0436-459	Carryall (9 x 12)	0436-626	Rack Basket
0436-460	Carryall (11 x 17)	0436-647	Rack Extension, 4 in. (Front)
0436-652	Carryall (14 x 27)	0436-646	Rack Extension, 8 in. (Rear)
0436-476	Chain Saw Lock	0436-629	Rapid Blind (Break-Up)
0436-477	Cord Reel	0436-630	Rapid Blind (Shadow Grass)
0436-664	Cover, Black and Green	0436-628	Rapid Shack (Blue Ice)
0436-668	Cover, Timber Camo	0436-511	Rod Holder - Adjustable
0436-005	Engine Oil - 10W40	0436-471	Speedclamp, Double
0436-003	Engine Oil - 5W30	0436-624	Sprayer System
0436-466	Fender Box	0436-741	Sprayer Boom (120 in.)
0436-538	Gear Cradle	0436-744	Sway Bar Kit
0436-007	Gear Lube (Diff) - 80W90	1402-028	Tire, Titan AT589 (25x8-12, Mud - Snow)
0436-501	Grease, High-Performance	0402-563	Tire, Titan AT589 (25x10-12, Mud - Snow)
0436-627	Gun Scabbard Kit	0436-297	Tool Holder - Double
0436-706	Gun Scabbard Mount	0436-263	Tool Holder - Single
0436-505	Hand Guards - Black	0436-792	Tree Stand/Bow Case Holder
0436-352	Hand/Thumb Warmers	0436-655	Winch, 2500 lb
0436-639	Ice Auger Holder	0436-623	Windshield, Clear w/Black Accent
0436-795	King Kong Pack	0436-470	Workbase (8 in.)
0436-793	Laydown Blind		

■NOTE: For a complete list of related items, refer to the current accessory catalog.

