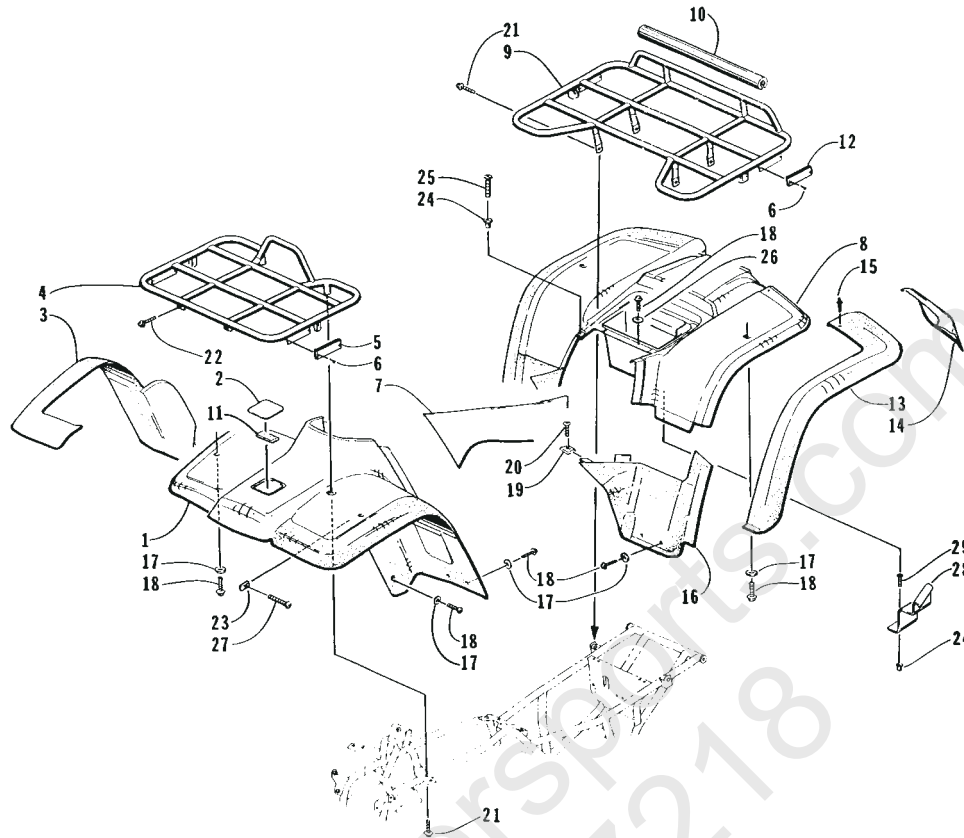


# Table Of Contents

Model No. 98A4C-AP & 98A2C-AP	
BODY PANEL ASSEMBLY (4x4)	1
BODY PANEL ASSEMBLY (2x4)	2
TAILLIGHT ASSEMBLY	3
DECALS (4x4)	4
DECALS (2x4)	5
FRAME AND RELATED PARTS (4x4)	6
FRAME AND RELATED PARTS (2x4)	7
SEAT ASSEMBLY	8
STEERING ASSEMBLY	9
FRONT SUSPENSION ASSEMBLY	10
REAR SUSPENSION ASSEMBLY	11
WHEEL AND TIRE ASSEMBLY	12
MECHANICAL BRAKE ASSEMBLY	13
HYDRAULIC BRAKE CONTROL ASSEMBLY	14
HYDRAULIC BRAKE ASSEMBLY	15
FUEL TANK ASSEMBLY	16
REVERSE SHIFT LEVER ASSEMBLY	17
AIR INTAKE ASSEMBLY	18
STORAGE BOX AND BATTERY ASSEMBLY	19
ENGINE AND EXHAUST	20
COOLING ASSEMBLY	21
REAR AXLE ASSEMBLY	22
WIRING HARNESS ASSEMBLY	23
CARBURETOR	24
CYLINDER HEAD ASSEMBLY	25
CYLINDER ASSEMBLY	26
CRANKCASE ASSEMBLY	27
CRANKCASE COVER ASSEMBLY	28
CRANKSHAFT ASSEMBLY	29
STARTER CLUTCH ASSEMBLY	30
CRANK BALANCER ASSEMBLY	31
CAM SHAFT VALVE ASSEMBLY	32
CAM CHAIN ASSEMBLY	33
RECOIL STARTER ASSEMBLY	34
OIL FILTER/PUMP ASSEMBLY	35
WATER PUMP ASSEMBLY	36
CLUTCH ASSEMBLY	37
TRANSMISSION ASSEMBLY	38
SECONDARY TRANSMISSION ASSEMBLY (4x4)	39
SECONDARY TRANSMISSION ASSEMBLY (2x4)	40
SPEEDOMETER DRIVE ASSEMBLY	41
SECONDARY DRIVE ASSEMBLY (4x4)	42
SECONDARY DRIVE ASSEMBLY (2x4)	43
GEAR SHIFTING ASSEMBLY	44
HI/LOW SHIFTER ASSEMBLY (4x4)	45
SHIFTER ASSEMBLY (2x4)	46
FRONT BEVEL GEAR ASSEMBLY (4x4)	47
REAR BEVEL GEAR ASSEMBLY	48
STARTER MOTOR ASSEMBLY	49
MAGNETO ASSEMBLY	50

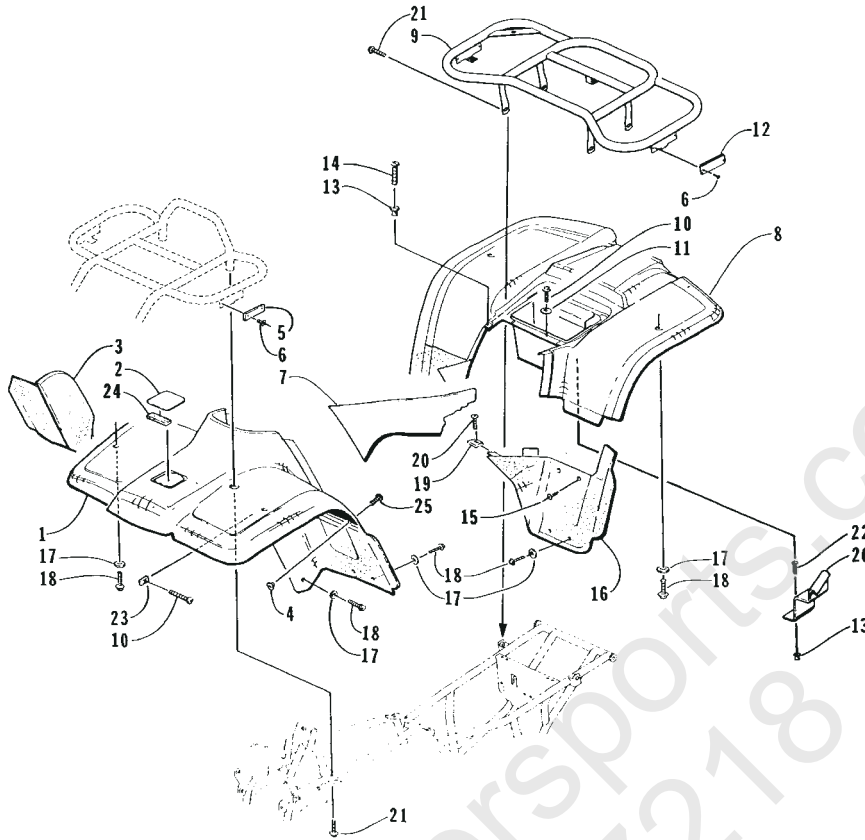
**NOTE:** The illustrations used in this Parts Manual are for reference to replacement part numbers only and are not to be used for assembly. For assembly procedures, use Arctic Cat Service Manuals.  
Underlined part numbers are new for the 1997 model year.



## BODY PANEL ASSEMBLY

0733-395

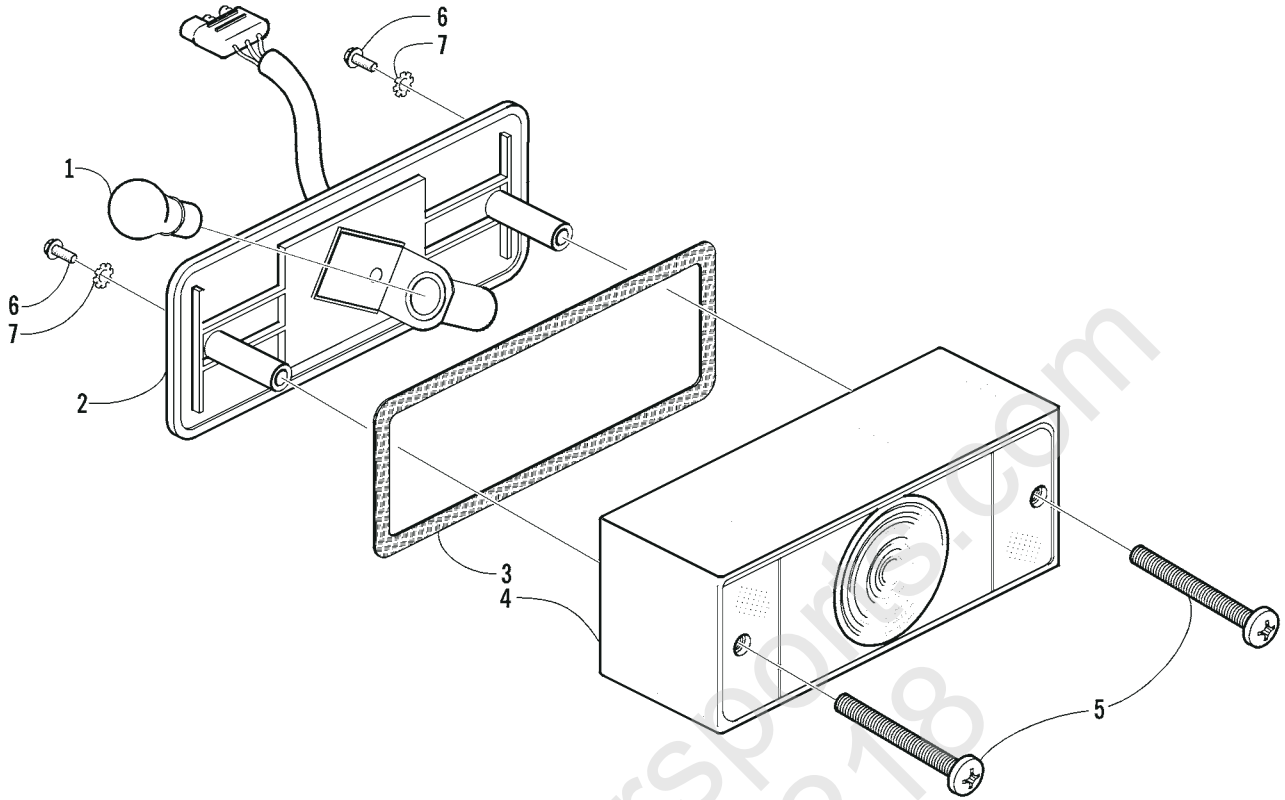
Ref.	Part No.	Qty.	Description	Ref.	Part No.	Qty.	Description
1	0506-156	1	Panel, Fender - Front	15	0423-046	56	Rivet, Plastic
2	0506-179	1	Cover, Radiator Access	16	0506-160	1	Fender Extension - Rear Right
3	0406-080	1	Flare - Front Right	0506-161	1	Fender Extension - Rear Left	
	0406-081	1	Flare - Front Left	17	0423-010	17	Washer, Body
4	0506-104	1	Rack - Front	18	8474-616	17	Screw, Machine
5	0606-526	2	Reflector - Yellow	19	0423-060	2	Clip, Tinerman
6	0623-269	8	Clip, Retaining	20	0623-309	2	Screw, Self-Tapping
7	0506-164	1	Panel, Side - Right	21	8409-020	6	Screw, Cap
	0506-165	1	Panel, Side - Left	22	8408-812	2	Screw, Cap
8	0506-157	1	Panel, Fender - Rear	23	0423-031	2	Nut, Speed
9	0506-103	1	Rack - Rear	24	0123-010	3	Nut, Expansion
10	0406-293	1	Wrap, Tube - Rear Rack	25	0423-068	2	Screw, Machine
11	0417-002	1	Foam, Radiator Access Panel	26	0623-184	1	Washer
12	0606-029	2	Reflector - Red	27	8477-616	2	Screw, Machine
13	0406-082	1	Flare - Rear Right	28	0406-297	1	Plate, Heat - Rear Panel
	0406-083	1	Flare - Rear Left	29	0123-549	1	Screw, Machine
14	0406-086	1	Mud Flap - Right				
	0406-087	1	Mud Flap - Left				



## BODY PANEL ASSEMBLY

0733-415

Ref.	Part No.	Qty.	Description	Ref.	Part No.	Qty.	Description
1	<u>0506-239</u>	1	Panel, Fender - Front	14	0423-068	2	Screw, Machine
2	<u>0506-153</u>	1	Cover, Radiator Access	15	0423-046	8	Rivet, Plastic
3	0406-140	1	Flair, Fender - Front Right	16	0406-084	1	Extension, Fender - Rear Right
	0406-141	1	Flair, Fender - Front Left		0406-085	1	Extension, Fender - Rear Left
4	0423-074	4	T-Nut	17	0423-010	21	Washer, Body
5	0606-526	2	Reflector - Yellow	18	8474-616	21	Screw, Machine
6	0623-269	8	Clip, Retaining	19	0423-060	2	Clip, Tinerman
7	<u>0506-242</u>	1	Panel, Side - Right	20	0623-309	2	Screw, Self-Tapping
	<u>0506-243</u>	1	Panel, Side - Left	21	8409-020	6	Screw, Cap
8	<u>0506-240</u>	1	Panel, Fender - Rear	22	0123-549	1	Screw, Machine
9	0506-143	1	Rack - Rear	23	0423-031	2	Nut, Speed
10	8477-616	3	Screw, Machine	24	<u>0417-002</u>	1	Foam, Radiator Access Panel
11	0623-184	1	Washer	25	8477-610	4	Screw, Machine
12	0606-029	2	Reflector - Red	26	0406-297	1	Plate, Heat - Rear Panel
13	0123-010	3	Nut, Expansion				

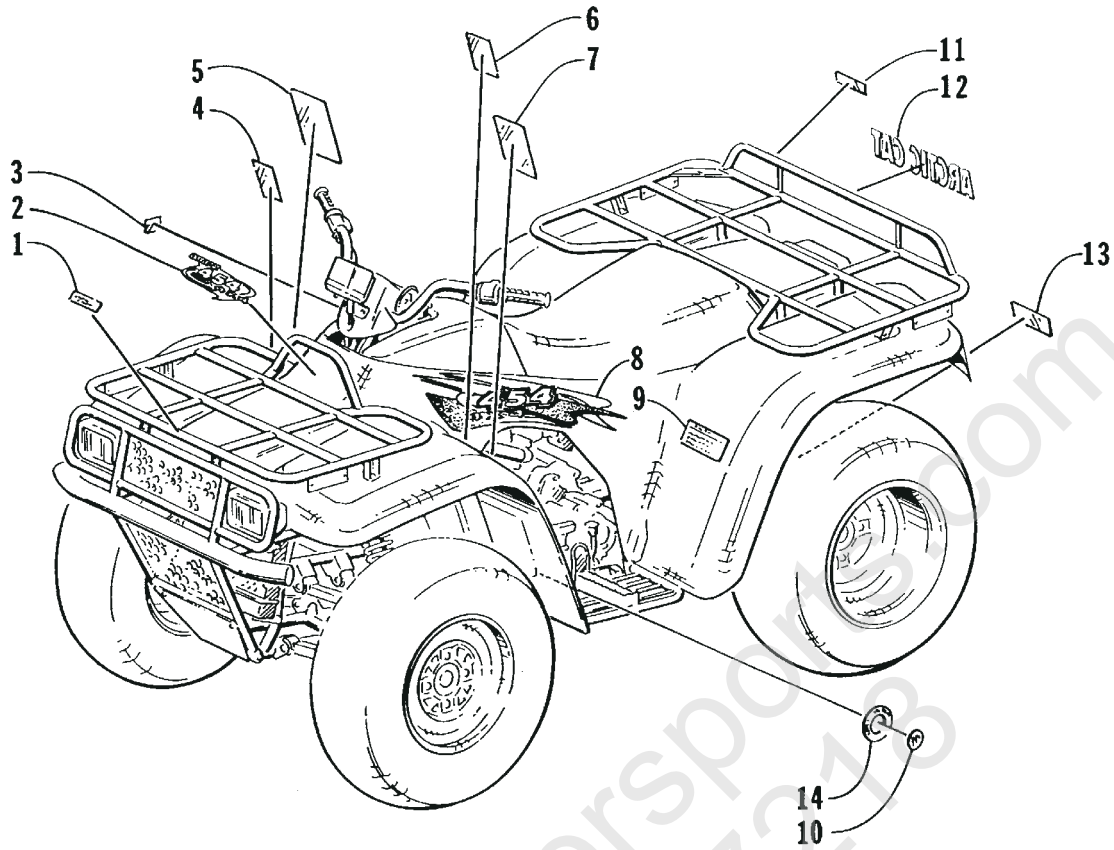


## TAILLIGHT ASSEMBLY

(Complete Taillight Assembly p/n 0409-002)

0732-336

Ref.	Part No.	Qty.	Description	Ref.	Part No.	Qty.	Description
1	0109-460	1	Bulb, Stop - Taillight	5	0409-010	2	Screw, Machine
2	0409-011	1	Taillight w/Socket Assembly	6	0623-301	2	Screw, Self-Tapping
3	0409-012	1	Gasket, Taillight	7	8053-212	2	Washer, Lock - External Tooth
4	0409-007	1	Lens, Taillight				

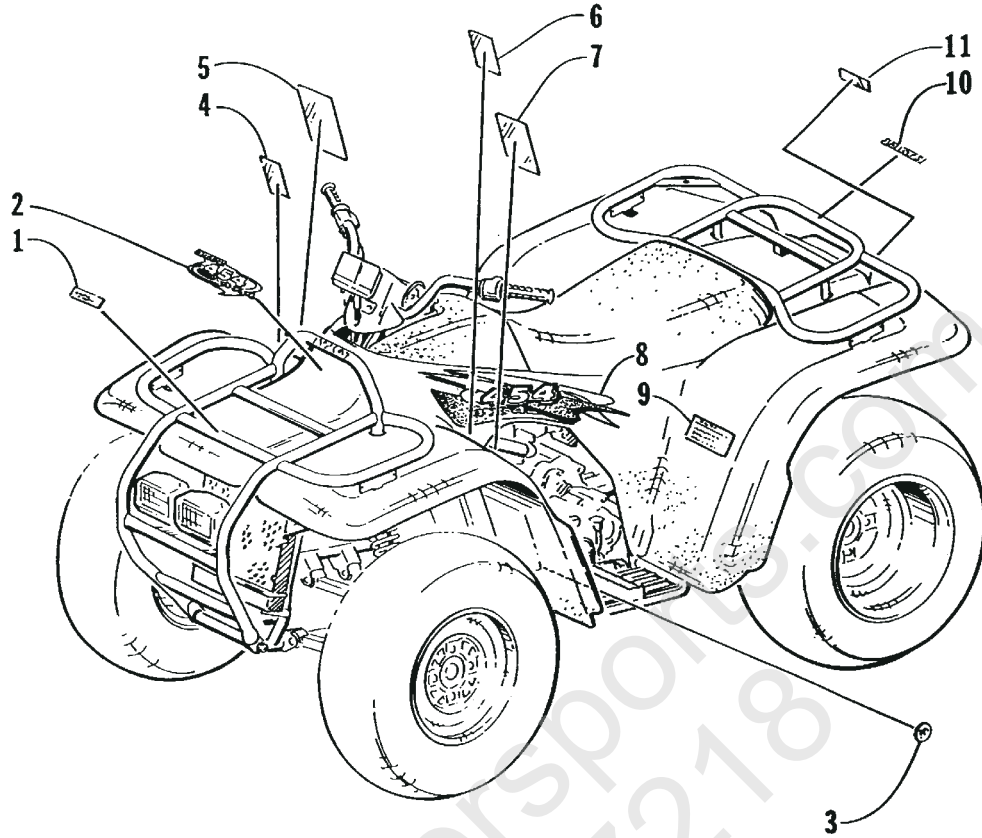


## DECALS

(French Decal Kit p/n 0436-137)

0733-435

Ref.	Part No.	Qty.	Description	Ref.	Part No.	Qty.	Description
1	0411-006	1	Decal, Warning - Front Rack Load	9	0411-097	1	Decal, Warning - Tire Pressure
2	0411-103	1	Decal, Front	10	0411-003	1	Decal, Shift Pattern
3	0411-011	1	Decal, Caution - Electrical	11	0411-007	1	Decal, Warning - Rear Rack Load
4	0411-045	1	Decal, Warning - Turn	12	0411-043	1	Decal, "Arctic Cat"
5	0411-008	1	Decal, Warning - Reverse/Pre-Ride	13	0411-013	1	Decal, Warning - Towing
6	0411-040	1	Decal, Warning - Age	14	0411-009	1	Decal, Hi/Low Range
7	0411-010	1	Decal, Warning - General				
8	0411-104	1	Decal, Side - Right				
	0411-105	1	Decal, Side - Left				

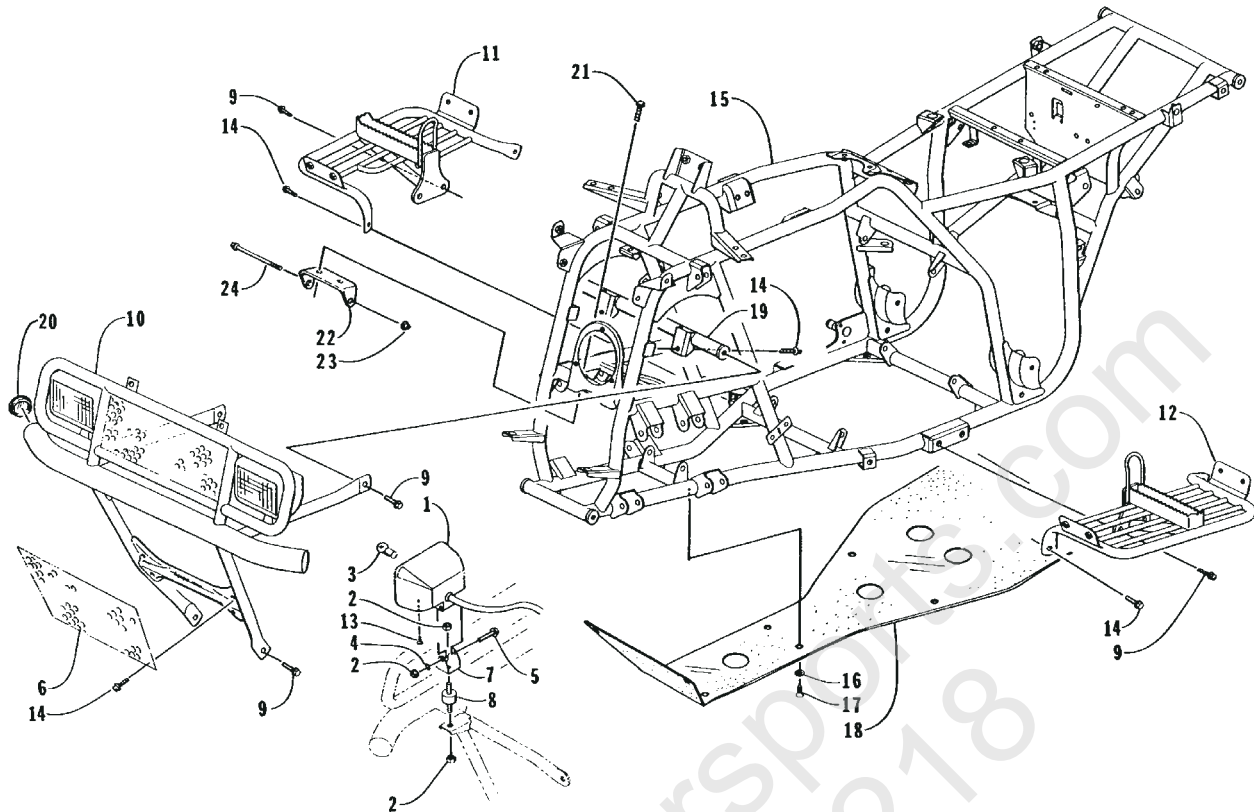


## DECALS

(French Decal Kit p/n 0436-138)

0733-436

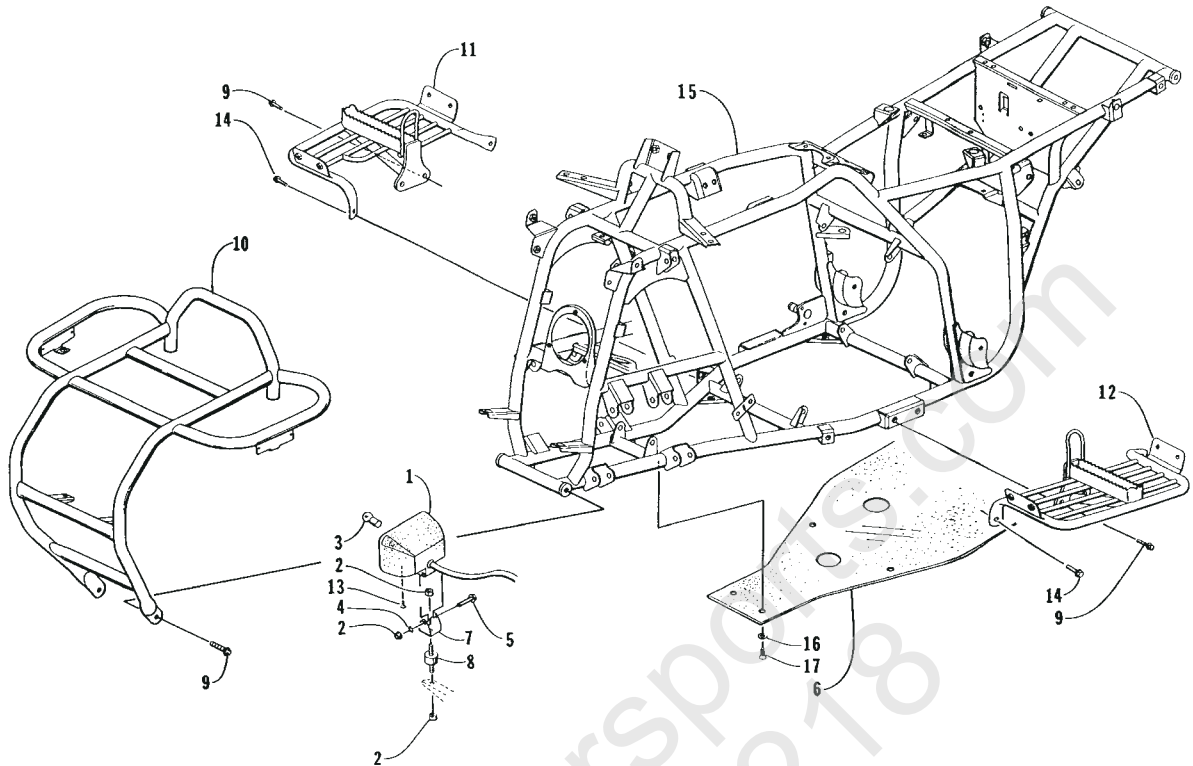
Ref.	Part No.	Qty.	Description	Ref.	Part No.	Qty.	Description
1	0411-098	1	Decal, Warning - Front Rack Load	7	0411-010	1	Decal, Warning - General
2	0411-102	1	Decal, Front	8	0411-100	1	Decal, Side - Right
3	0411-003	1	Decal, Shift Pattern		0411-101	1	Decal, Side - Left
4	0411-045	1	Decal, Warning - Turn	9	0411-012	1	Decal, Warning - Tire Pressure
5	0411-008	1	Decal, Warning - Reverse/Pre-Ride	10	0411-060	2	Decal, "Arctic Cat"
6	0411-040	1	Decal, Warning - Age	11	0411-099	1	Decal, Warning - Rear Rack Load



## FRAME AND RELATED PARTS

0733-396

Ref. Part No.	Qty.	Description	Ref. Part No.	Qty.	Description		
1	0409-001	2	Headlight (inc. 3 and 13)	13	0123-590	2	Screw, Machine
2	8424-802	6	Nut, Lock	14	8408-816	10	Screw, Cap
3	0409-005	2	Bulb, Headlight	15	0506-133	1	Frame
4	8053-242	2	Washer, Lock	16	0423-010	10	Washer, Shoulder
5	8408-850	2	Screw, Cap	17	8474-616	10	Screw, Machine
6	0406-175	1	Screen, Bumper	18	0406-354	1	Panel, Belly
7	0406-261	2	Yoke, Headlight	19	0506-079	1	Tube, Cross
8	0406-262	2	Mount, Headlight	20	0406-130	2	Cap, Bumper
9	8409-020	8	Screw, Cap	21	8408-820	2	Screw, Cap
10	0506-186	1	Bumper - Front	22	0506-149	1	Bracket, Front Gear Case
11	0506-066	1	Footrest - Right	23	8428-002	2	Nut, Lock
12	0506-067	1	Footrest - Left	24	3423-010	2	Screw, Cap

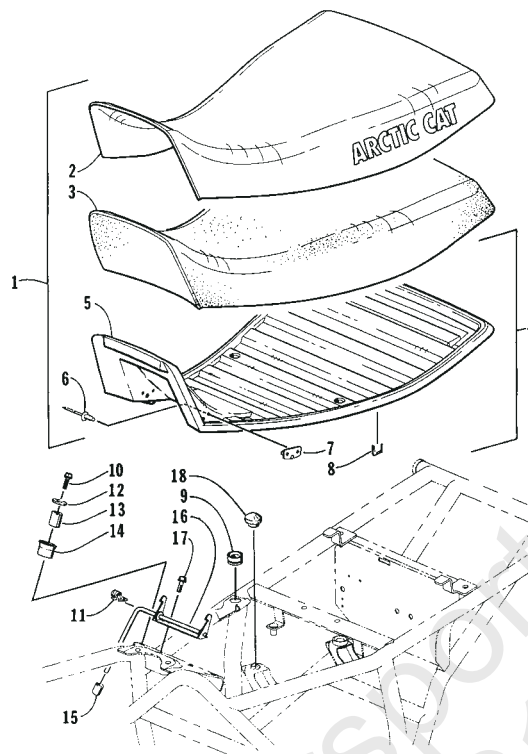


## FRAME AND RELATED PARTS

0732-915

Ref.	Part No.	Qty.	Description	Ref.	Part No.	Qty.	Description
1	0409-001	2	Headlight (inc. 3 and 13)	10	0506-144	1	Bumper - Front
2	8424-802	6	Nut, Lock	11	0506-066	1	Footrest - Right
3	0409-005	2	Bulb, Headlight	12	0506-067	1	Footrest - Left
4	8053-242	2	Washer, Lock	13	0123-590	2	Screw, Machine
5	8408-850	2	Screw, Cap	14	8408-816	4	Screw, Cap
6	0406-280	1	Panel, Belly	15	0506-133	1	Frame
7	0406-261	2	Yoke, Headlight	16	0423-010	8	Washer, Shoulder
8	0406-262	2	Mount, Headlight	17	8474-616	8	Screw, Machine
9	8409-020	6	Screw, Cap				

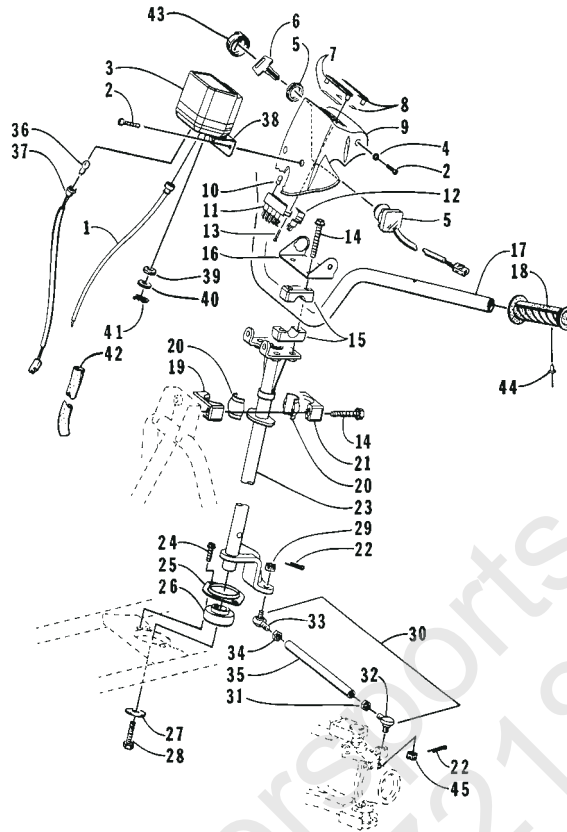




## SEAT ASSEMBLY

0733-423 \* Not a Service Part

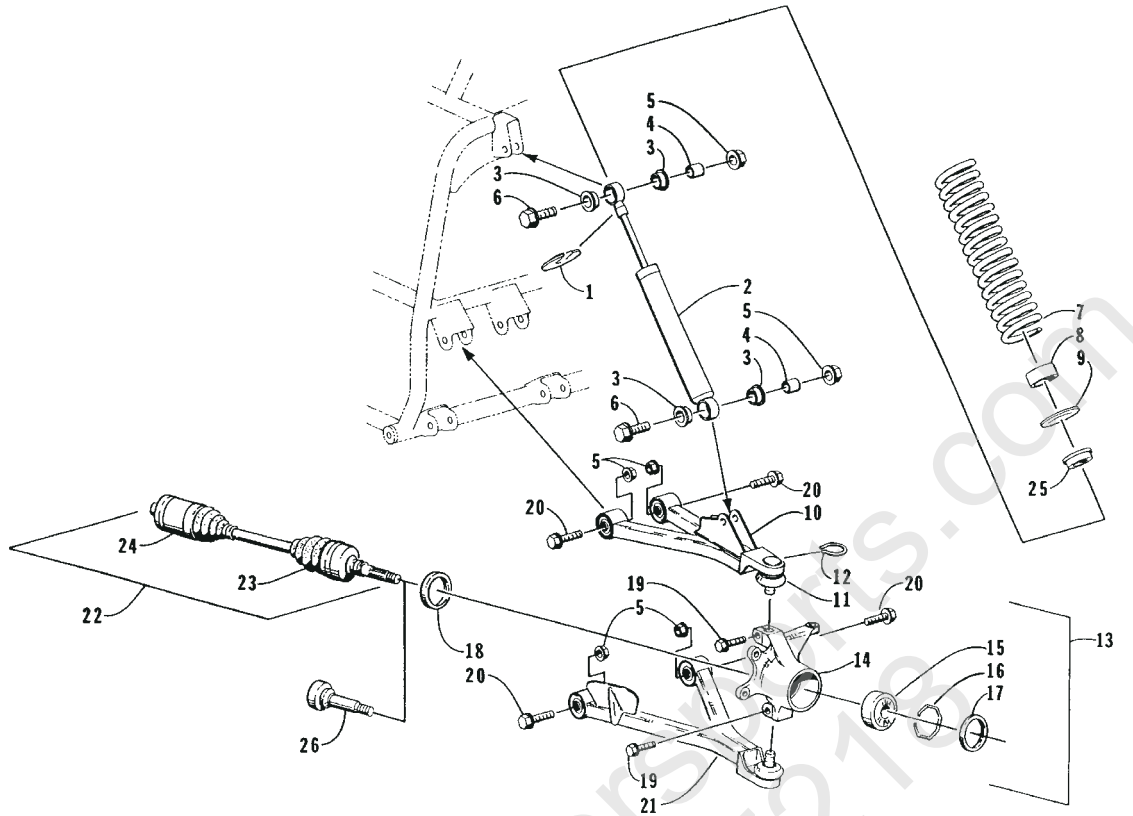
Ref.	Part No.	Qty.	Description	Ref.	Part No.	Qty.	Description
1	<u>5990-069</u>	1	Seat - Assembly (inc. 2-8)	10	8476-620	2	Screw, Cap
2	0506-054	1	● Cover, Seat	11	0406-235	1	Spring, Seat Latch
3	0506-056	1	● Foam, Seat	12	8050-217	2	Washer
4	<u>0506-223</u>	1	● Base, Seat - Assembly (inc. 5-7)	13	0406-199	2	Collar, Front Seat Base
5	*	1	●● Base, Seat	14	0406-171	2	Bumper, Seat Base - Front
6	8061-628	4	●● Rivet	15	0623-404	1	Cap, Protector
7	0506-147	1	●● Pin, Seat Base - Front	16	0406-103	1	Latch, Seat - Assembly
8	0624-263	AR	● Staple	17	8477-616	2	Screw, Machine
9	<u>0406-309</u>	2	Grommet, Seat - Center	18	0406-270	2	Bumper, Seat Base - Center



## STEERING ASSEMBLY

0733-398

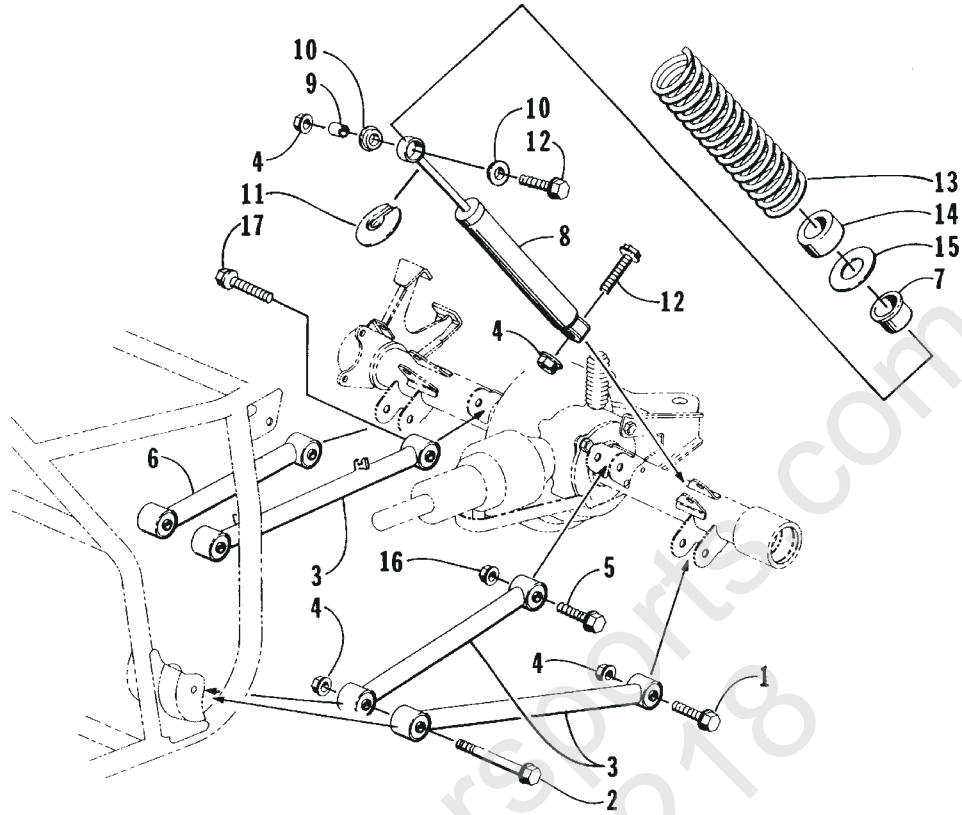
Ref.	Part No.	Qty.	Description	Ref.	Part No.	Qty.	Description
1	0487-005	1	Cable, Speedometer	25	0602-233	1	Flange, Bearing
2	8477-616	3	Screw, Machine	26	0602-807	1	Bearing - w/Inverted Oil Seal
3	0420-003	1	Speedometer (inc. 36-41)	27	0423-073	1	Washer
4	0423-052	1	Collar, Body	28	8409-020	1	Screw, Cap
5	3430-013	1	Switch, Ignition - Assembly (inc. 6)	29	8422-002	2	Nut, Hex Castle (4X4)
6	3409-007	1	• Key, Ignition - Blank (C Series)		0423-072	2	Nut, Hex Castle (2X4)
	3409-011	1	• Key, Ignition - Blank (D Series)	30	0505-021	1	Tie Rod, Assembly (inc. 31-35) (4X4)
7	0420-011	1	Bezel/Lens, Warning - Assembly		0505-001	1	Tie Rod, Assembly (inc. 31-35) (2X4)
8	0420-012	1	Bezel/Lens, Shifting - Assembly	31	8420-002	2	• Nut
9	0405-019	1	Instrument Pod	32	0405-040	2	• Ball Joint, Tie Rod - Right (4X4)
10	0420-013	9	Bulb, Light Bar		0405-010	2	• Ball Joint, Tie Rod - Right (2X4)
11	0420-001	1	Light, Warning - Assembly	33	0405-041	2	• Ball Joint, Tie Rod - Left (4X4)
12	0420-004	1	Light, Shift Indicator - Assembly		0405-011	2	• Ball Joint, Tie Rod - Left (2X4)
13	0123-950	4	Screw, Self-Tapping	34	0423-013	2	• Nut - Left
14	8408-860	6	Screw, Cap	35	0405-032	2	• Tie Rod
15	0405-035	4	Cap, Steering Adjuster	36	0420-019	1	Bulb, Speedometer
16	0506-139	1	Bracket, Key Switch	37	0420-014	1	Harness, Speedometer
17	0505-028	1	Tube, Handlebar	38	0420-018	1	Bracket, Speedometer
18	0405-039	2	Grip, Handlebar	39	0420-016	2	Mount, Rubber
19	0605-171	1	Housing, Bearing - Lower	40	0420-017	2	Washer
20	0405-020	2	Bearing, Steering Post	41	0420-015	2	Pin, Retainer
21	0605-147	1	Housing, Bearing - Upper	42	0423-067	1	Tube, Loom
22	0623-175	4	Pin, Cotter (4X4)	43	0409-013	1	Cover, Key
	0117-868	4	Pin, Cotter (2X4)	44	8060-428	2	Rivet
23	0505-012	1	Post, Steering	45	8422-002	2	Nut, Lock (4X4)
24	8408-816	2	Screw, Cap		0423-014	2	Nut, Lock (2X4)



## FRONT SUSPENSION ASSEMBLY

0733-414\*Serial Numbers below ...13000

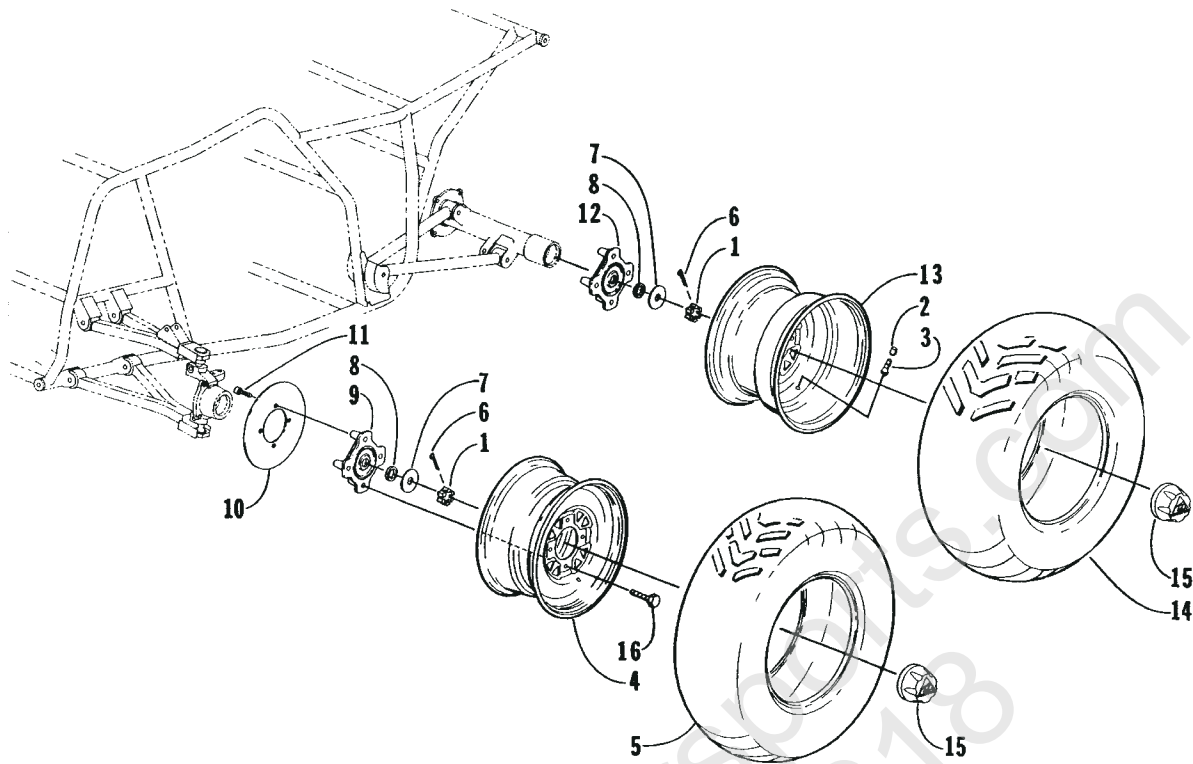
Ref.	Part No.	Qty.	Description	Ref.	Part No.	Qty.	Description
1	0603-033	2	Retainer, Spring	14	<u>0505-024</u>	1	● Knuckle, Steering - Right (4X4)
2	0403-001	2	Shock Absorber - Front (inc. 3-4) (4X4)		<u>0505-025</u>	1	● Knuckle, Steering - Left (4X4)
	<u>0403-034</u>	2	Shock Absorber - Front (inc. 3-4) (2X4)		<u>0505-030</u>	1	● Knuckle, Steering - Right (2X4)
3	0604-310	8	● Bushing, Shock Absorber		<u>0505-031</u>	1	● Knuckle, Steering - Left (2X4)
4	0403-028	4	● Sleeve, Shock	15	0402-085	2	● Bearing, Wheel Hub - Front
5	8428-002	12	Nut, Lock	16	0423-034	2	● Clip, Bearing
6	8409-040	4	Screw, Cap	17	0402-089	2	● Seal, Wheel Bearing - Front
7	0403-002	2	Spring, Shock Absorber	18	0402-069	2	● Seal, Wheel Bearing - Front
8	0403-025	2	Collar, Spring	19	8409-030	4	Screw, Cap
9	0403-013	2	Washer, Spring	20	8409-060	8	Screw, Cap
10	0503-026	1	A-Arm, Upper Right - Assembly (inc. one No. 11-12)	21	0503-012	1	A-Arm, Lower Right (inc. one No. 11-12) (4X4)
	0503-027	1	A-Arm, Upper Left - Assembly (inc. one No. 11-12)		0503-013	1	A-Arm, Lower Left (inc. one No. 11-12) (4X4)
11	0405-001	4	● Ball Joint - Front		0503-007	2	A-Arm, Lower (inc. one No. 11-12) (2X4)
12	0423-009	4	● Clip, Ball Joint	22	0402-098	2	Axle, Drive - Front (4X4)*
13	<u>0505-026</u>	1	Knuckle - Assembly - Right (inc. 14 and one No. 15-18) (4X4)		<u>0402-179</u>	2	Axle, Drive - Front (4X4)
	<u>0505-027</u>	1	Knuckle - Assembly - Left (inc. 14 and one No. 15-18) (4X4)	23	0436-038	2	Repair Kit, Outer Boot - Front Axle (4X4)*
	<u>0505-032</u>	1	Knuckle - Assembly - Right (inc. 14 and one No. 15-18) (2X4)		<u>0436-131</u>	2	Repair Kit, Outer Boot - Front Axle (4X4)
	<u>0505-033</u>	1	Knuckle - Assembly - Left (inc. 14 and one No. 15-18) (2X4)	24	0436-037	2	Repair Kit, Inner Boot - Front Axle (4X4)*
					<u>0436-130</u>	2	Repair Kit, Inner Boot - Front Axle (4X4)
				25	0403-027	2	Retainer, Spring - Lower
				26	<u>0402-183</u>	2	Axle, Stub (2X4)



## REAR SUSPENSION ASSEMBLY

0733-399

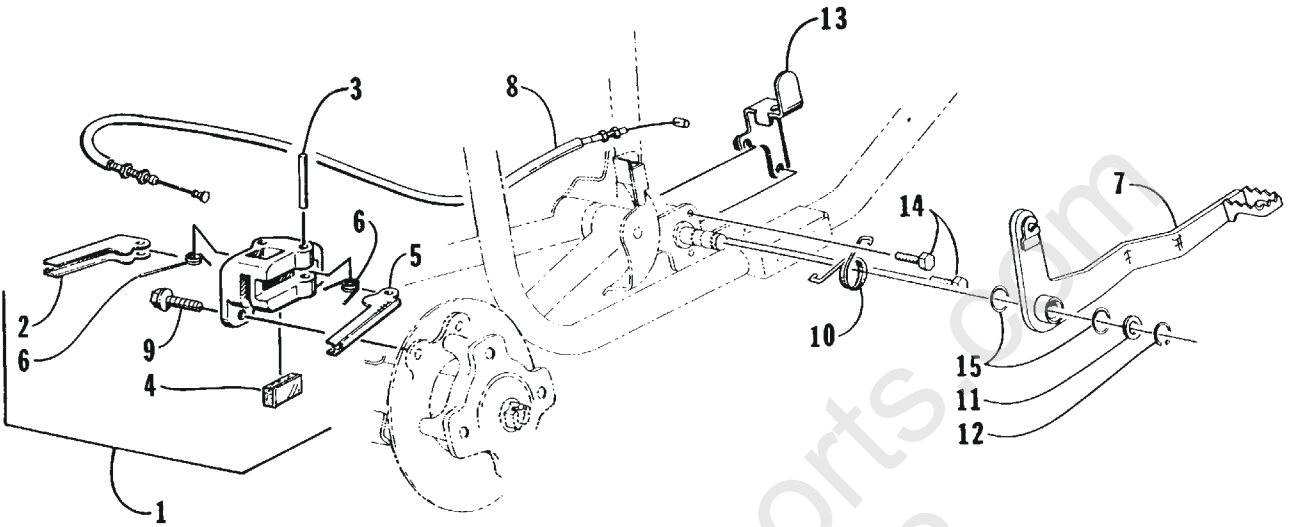
Ref.	Part No.	Qty.	Description	Ref.	Part No.	Qty.	Description
1	8409-060	2	Screw, Cap	9	0403-028	4	• Sleeve, Shock
2	8409-000	2	Screw, Cap	10	0604-310	8	• Bushing, Shock Absorber
3	0504-001	3	Arm, Swing	11	0603-033	2	Retainer, Spring
4	8428-002	8	Nut, Lock	12	8409-040	4	Screw, Cap
5	8409-055	1	Screw, Cap	13	0404-006	2	Spring, Shock Absorber (4X4)
6	0504-005	1	Arm, Swing	14	0404-009	2	Spring, Shock Absorber (2X4)
7	0403-027	2	Retainer, Spring - Lower	15	0403-025	2	Collar, Spring
8	0404-001	2	Shock Absorber - Rear (inc. two No. 9 and four No. 10) (4X4)	16	8422-002	1	Nut, Lock
	0404-008	2	Shock Absorber - Rear (inc. two No. 9 and four No. 10) (2X4)	17	8409-065	1	Screw, Cap



## WHEEL AND TIRE ASSEMBLY

0733-366\*Serial Numbers below . . .13000

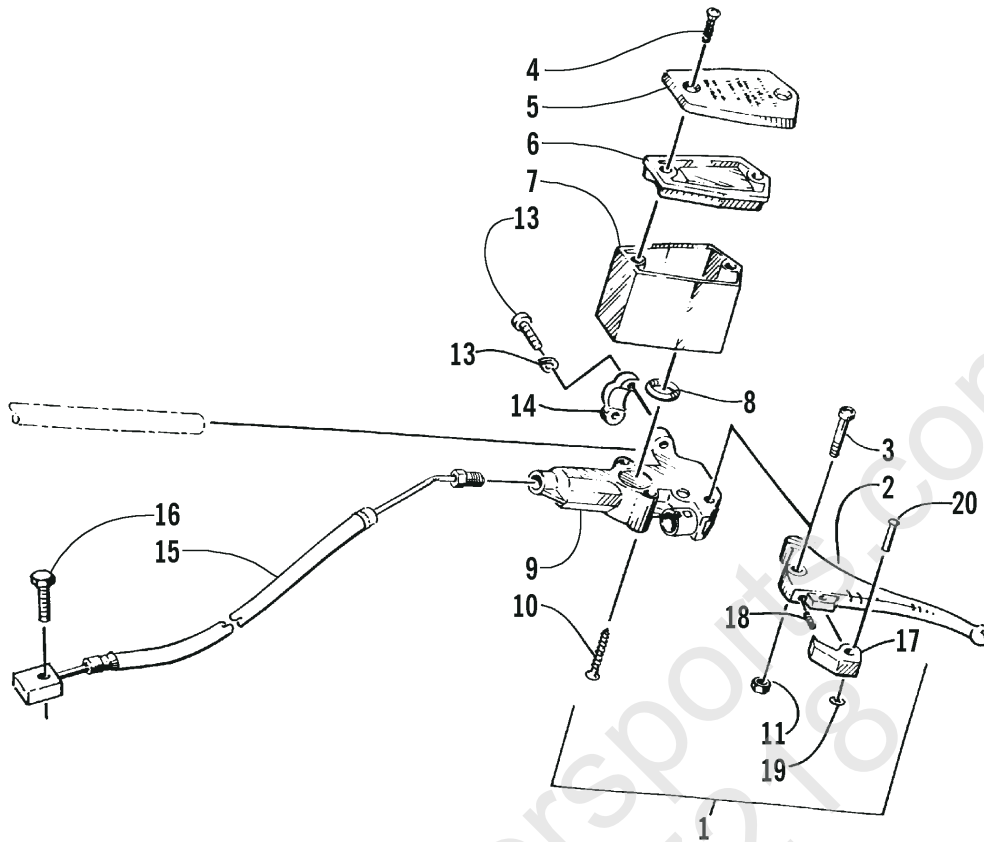
Ref.	Part No.	Qty.	Description	Ref.	Part No.	Qty.	Description
1	0423-015	4	Nut, Hex*	9	0502-041	2	Hub, Wheel - Front (4X4)
	3423-213	4	Nut, Hex		0502-040	2	Hub, Wheel - Front (2X4)
2	0402-140	4	Cap, Valve Stem	10	0402-009	3	Disc, Brake
3	0402-064	4	Valve, Stem	11	0423-029	12	Screw, Machine
4	0402-215	2	Wheel - Front	12	0502-042	2	Hub, Wheel - Rear
5	0402-153	2	Tire - Front (4X4)	13	0402-224	2	Wheel - Rear
	0402-152	2	Tire - Front (2X4)	14	0402-153	2	Tire - Rear
6	0123-458	4	Pin, Cotter	15	0403-035	4	Cap, Wheel - Center
7	0423-021	4	Washer*	16	8409-020	16	Screw, Cap
	0423-080	4	Washer				
8	0402-099	4	Seal, Hub*				
	0402-181	4	Seal, Hub				



## MECHANICAL BRAKE ASSEMBLY

0733-403

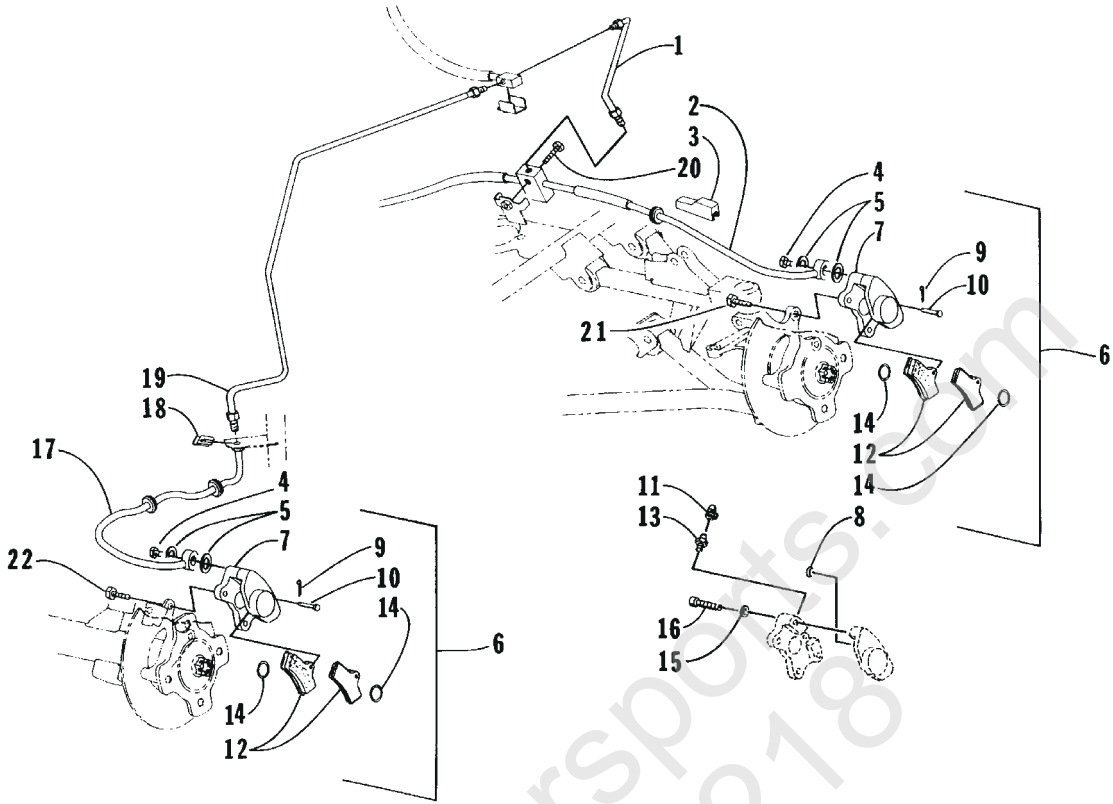
Ref.	Part No.	Qty.	Description	Ref.	Part No.	Qty.	Description
1	<u>0502-048</u>	1	Mechanical Brake Assembly (inc. 2-6)	9	8408-820	2	Screw, Cap
2	<u>0402-206</u>	1	• Arm, Inner	10	0402-161	1	Spring, Foot Brake
3	<u>0402-208</u>	2	• Pin, Arm	11	0423-027	1	Washer, Brake Lever
4	<u>0402-210</u>	2	• Pad, Mechanical Brake	12	0623-237	1	Ring, Snap
5	<u>0402-207</u>	1	• Arm, Outer	13	<u>0502-056</u>	1	Bracket, Brake Switch
6	<u>0402-209</u>	2	• Spring, Arm	14	8476-616	2	Screw, Cap
7	0502-024	1	Lever, Foot Brake	15	0670-183	2	O-Ring
8	<u>0487-006</u>	1	Cable, Brake - Rear				



## HYDRAULIC BRAKE CONTROL ASSEMBLY

0733-434 \*Not a Service Part

Ref.	Part No.	Qty.	Description	Ref.	Part No.	Qty.	Description
1	<u>0502-061</u>	1	Brake, Lever - Assembly (inc. 2-14 and 17-20)	11	0623-056	1	• Nut, Lock
2	<u>0402-242</u>	1	• Lever, Brake	12	8052-212	2	• Washer, Lock
3	0623-430	1	• Bolt, Lever Mounting	13	0623-629	2	• Screw, Clamp
4	0623-506	2	• Screw, Cover - Master Cylinder	14	0602-907	1	• Clamp
5	0602-742	1	• Cover, Master Cylinder	15	0402-050	1	Hose, Master Cylinder
6	0602-741	1	• Gasket, Cover - Master Cylinder	16	8476-625	1	Screw, Cap
7	0602-740	1	• Reservoir, Hydraulic Brake	17	<u>0402-240</u>	1	Wedge, Parking Brake
8	0602-587	1	• O-Ring, Reservoir	18	<u>0402-245</u>	1	Spring
9	*	1	• Master Cylinder	19	<u>0423-090</u>	1	Nut, Press
10	0623-432	2	• Screw, Reservoir Mount	20	<u>0402-246</u>	1	Pin



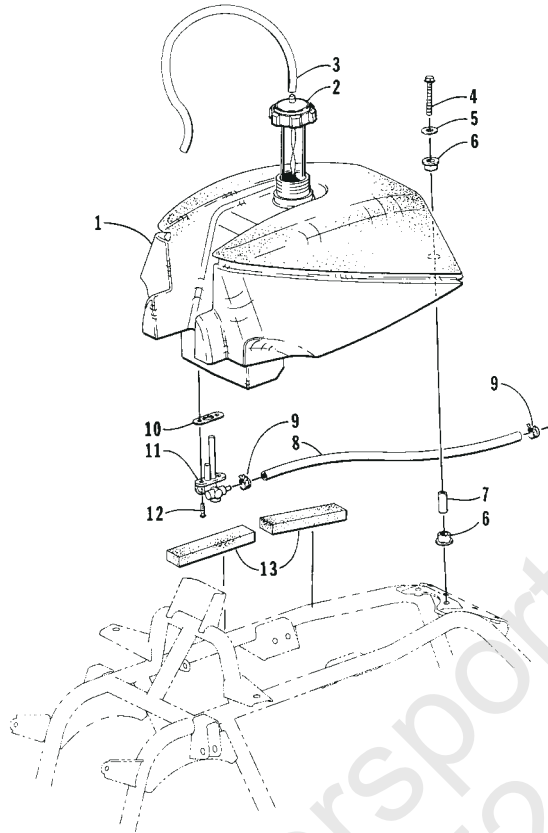
## HYDRAULIC BRAKE ASSEMBLY

0732-339 \* Not a Service Part

Ref.	Part No.	Qty.	Description	Ref.	Part No.	Qty.	Description
1	0402-053	1	Tube, Brake Line - Front	11	0402-143	3	• Cap, Bleeder Valve
2	0402-051	1	Hose, Brake - Front	12	0402-096	6	• Pad, Hydraulic Brake
3	0402-073	2	Block, Mounting	13	0402-167	3	• Valve, Bleeder
4	0423-038	3	Bolt, Oil	14	0402-141	6	• O-Ring, Hydraulic Brake Caliper
5	0423-039	6	Washer, Crush	15	0402-165	6	• Washer
6	0402-010	2	Caliper, Brake - Right Front (inc. 7-13 and two No. 14-16)	16	0402-166	6	• Screw, Socket Head
	0402-011	1	Caliper, Brake - Left Front and Right Rear (inc. 7-13 and two No. 14-16)	17	0402-184	1	Hose, Brake - Rear
7	*	3	• Housing, Caliper	18	0402-115	1	Clip, Brake Line
8	0402-164	3	• O-Ring	19	0402-054	1	Tube, Brake Line - Rear
9	0117-868	3	• Pin, Cotter	20	8476-625	1	Screw, Cap
10	0402-142	3	• Pin, Hydraulic Brake Caliper	21	8408-825	4	Screw, Cap
				22	8408-820	2	Screw, Cap



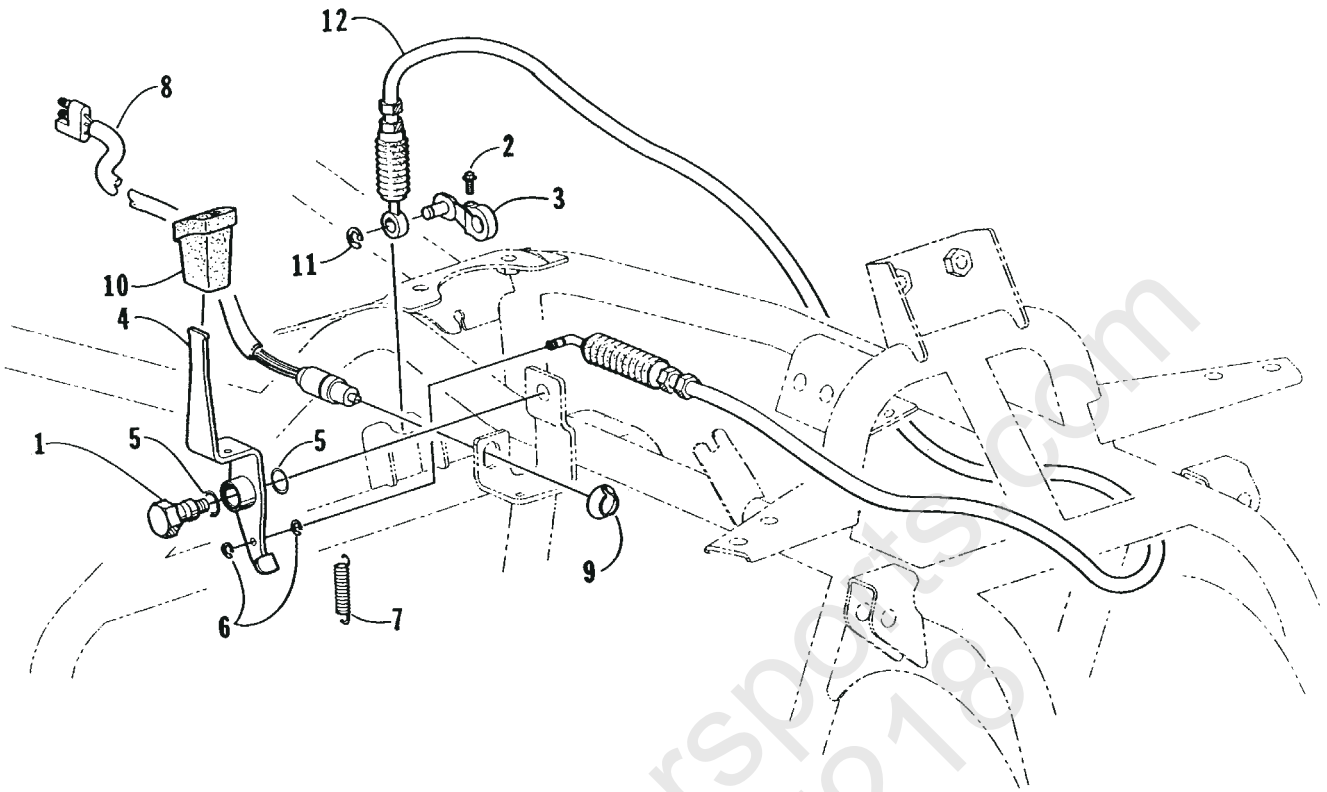
454 4x4  
454 2x4



## FUEL TANK ASSEMBLY

0732-346 \* Not a Service Part

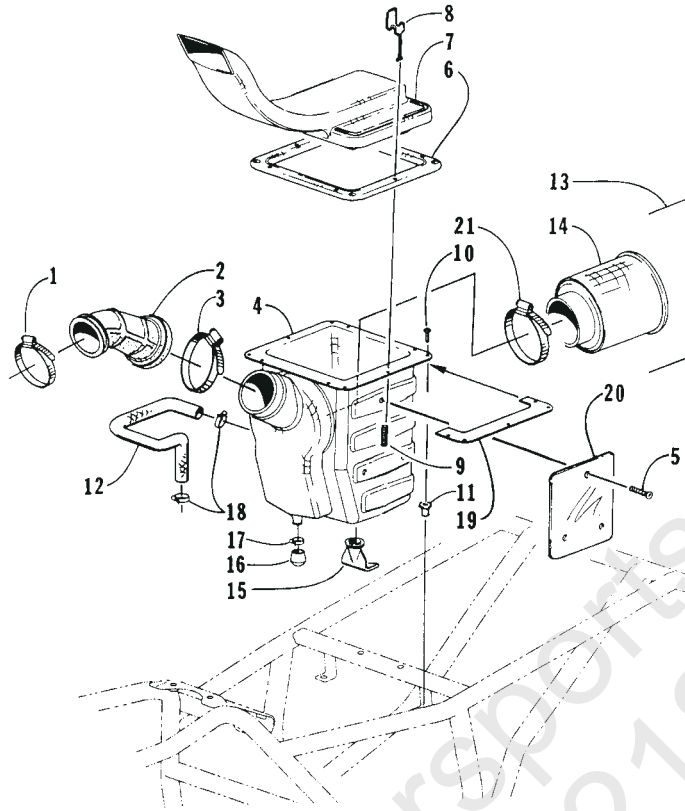
Ref.	Part No.	Qty.	Description	Ref.	Part No.	Qty.	Description
1	0570-018	1	Tank, Fuel (inc. 2-3 and 8-12)	8	0610-007	AR	Line, Fuel
2	0470-315	1	Cap, Fuel Tank (inc. 3)	9	0423-048	2	Clamp, Hose - Spring
3	0470-316	1	• Line, Fuel Cap Vent	10	*	1	Gasket, Fuel
4	8476-650	2	Screw, Cap	11	0470-344	1	Valve, Shut-Off (inc. 10)
5	0623-184	2	Washer	12	8471-616	2	Screw, Cap
6	0406-169	4	Bushing, Fuel Tank Mount	13	0417-001	4	Pad, Fuel Tank
7	0406-170	2	Collar, Fuel Tank Mount				



## REVERSE SHIFT LEVER ASSEMBLY

0733-405

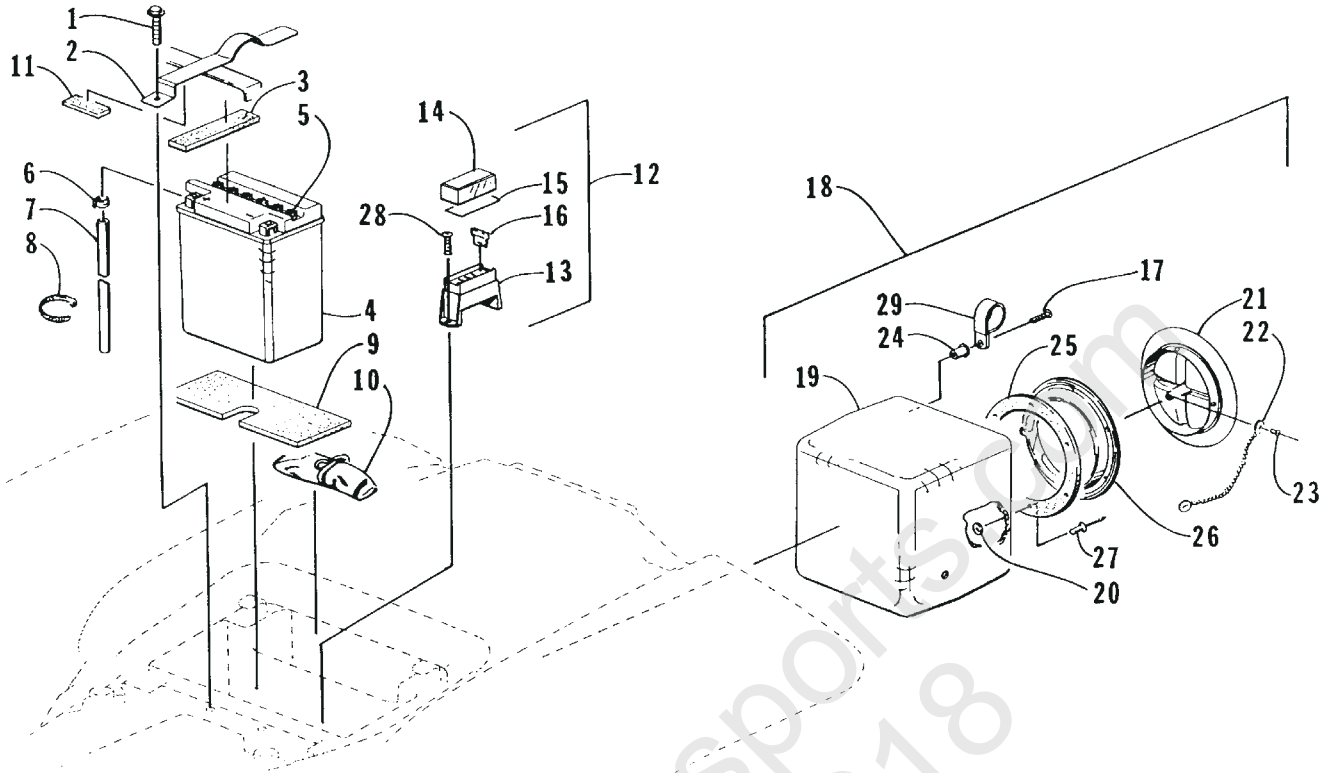
Ref.	Part No.	Qty.	Description	Ref.	Part No.	Qty.	Description
1	0402-239	1	Axle, Reverse Shift	7	0402-136	1	Spring, Reverse Lever
2	8476-616	1	Screw, Cap	8	0409-008	1	Reverse Switch
3	3446-055	1	Arm, Reverse Shift	9	0402-168	1	Retainer, Switch
4	0502-059	1	Lever, Reverse	10	0402-062	1	Knob, Reverse Shift Lever
5	0423-069	2	O-Ring	11	3423-168	1	E-Ring
6	0423-063	2	E-Ring	12	0487-003	1	Cable, Shift



## AIR INTAKE ASSEMBLY

0733-406 \* Not Illustrated

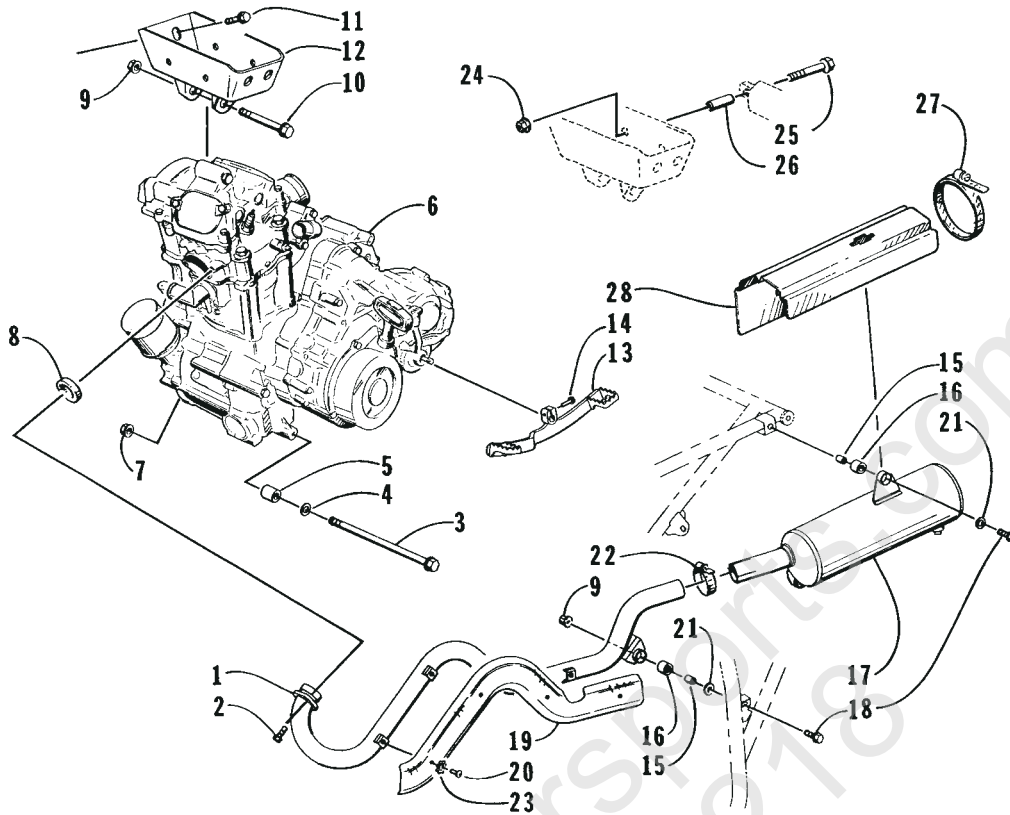
Ref.	Part No.	Qty.	Description	Ref.	Part No.	Qty.	Description
1	0423-066	1	Clamp	13	0470-322	1	Filter, Air Cleaner (inc. 14)
2	0470-305	1	Boot, Air Cleaner	14	0470-332	1	• Sleeve, Filter
3	0423-018	1	Clamp	15	0470-309	1	Valve, Air Cleaner
4	0470-337	1	Housing, Air Cleaner	16	1673-272	1	Cap, Fitting - Air Cleaner
5	0623-301	3	Screw, Self-Tapping	17	0423-047	1	Clamp, Hose
6	0470-343	1	Gasket, Air Cleaner	18	0423-045	2	Clamp, Hose - Spring
7	0470-342	1	Snorkel, Air Cleaner	19	0470-351	2	Support, Air Cleaner Flange (4X4)
8	0470-307	4	Clamp, Air Cleaner		0470-327	2	Support, Air Cleaner Flange (2X4)
9	0423-037	4	Spring, Air Cleaner	20	0406-356	1	Plate, Heat - Air Intake
10	0623-121	4	Screw, Machine	21	0423-082	1	Clamp, Air Cleaner
11	0123-010	4	Nut, Expansion				
12	0410-004	1	Hose, Crankcase Vent				



## STORAGE BOX AND BATTERY ASSEMBLY

0733-407 \* Not a Service Part

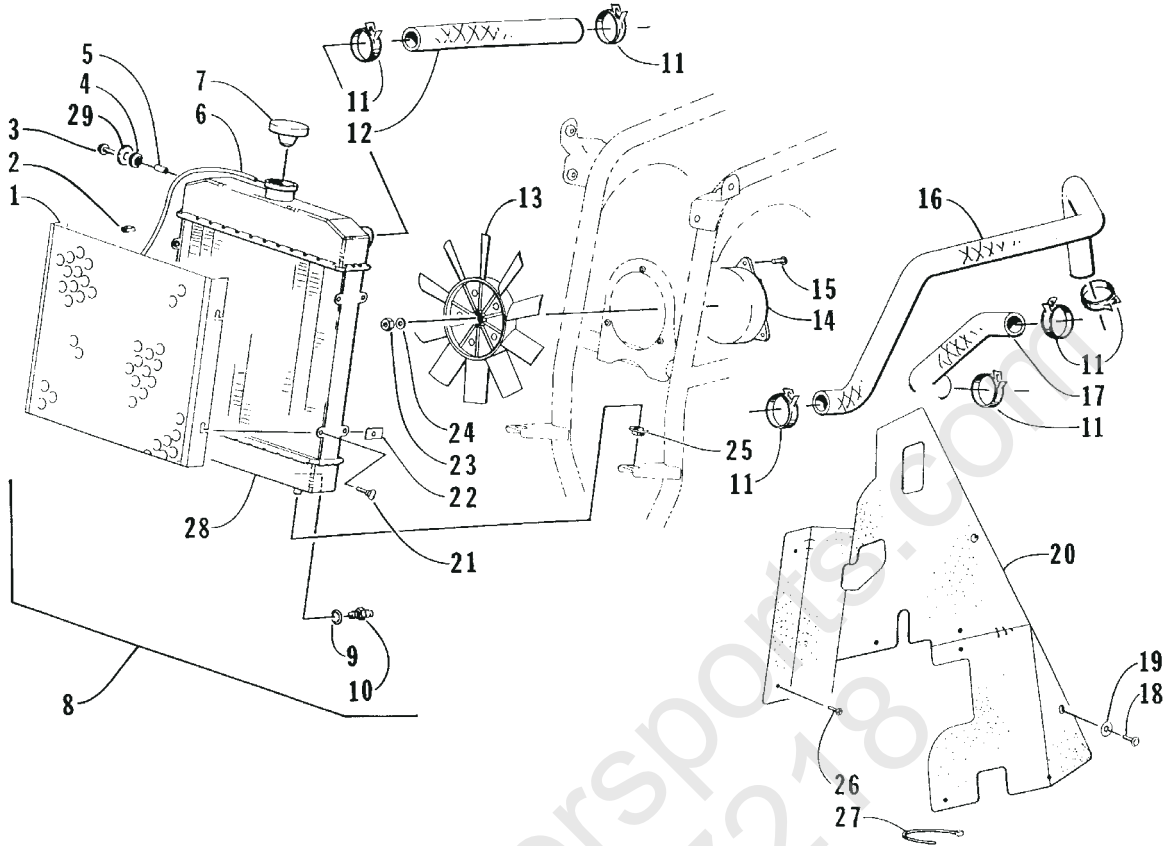
Ref.	Part No.	Qty.	Description	Ref.	Part No.	Qty.	Description
1	8476-616	1	Screw, Cap	16	0630-057	3	● Fuse, 10 Amp
2	0506-178	1	Strap, Battery - w/Pads (inc. 3 and 11)	17	0123-549	4	● Fuse, 15 Amp
3	0406-289	2	● Pad, Battery - Upper Rear	18	0506-102	1	Screw, Machine (4X4)
4	0445-005	1	Battery - Assembly (inc. 5-7)	19	0406-257	1	Storage Box - Assembly (inc. 19-27) (4X4)
5	0645-045	6	● Cap, Battery	20	0406-257	1	● Box, Tool
6	0645-152	1	● Clamp, Hose	21	8050-152	6	● Washer
7	0645-263	1	● Hose, Battery Vent	22	0406-208	1	● Lid, Tool Box
8	0123-788	AR	Tie, Cable	23	0773-401	1	● Chain, Storage
9	0406-227	1	Pad, Battery - Lower	24	8060-223	2	● Rivet
10	0444-001	1	Kit, Tool	25	0123-010	4	● Nut, Expansion
11	0406-288	1	Pad, Batter - Upper Front	26	0673-973	1	● Seal, Storage Cover
12	0530-001	1	Fuse Box - Assembly (inc. 13-16)	27	0406-205	1	● Ring, Mounting - Storage Box Lid
13	*	1	● Block, Fuse	28	8060-630	6	● Rivet
14	*	1	● Lid, Fuse Block	29	0623-301	2	Screw, Self-Tapping
15	0411-042	1	● Decal, Fuse Block		0423-044	4	Clamp, Tube (4X4)



## ENGINE AND EXHAUST

0733-371

Ref.	Part No.	Qty.	Description	Ref.	Part No.	Qty.	Description
1	0512-001	1	Pipe, Exhaust	15	0412-003	3	Spacer, Exhaust
2	8408-820	2	Screw, Cap	16	0412-004	3	Bushing, Rubber
3	3423-003	2	Screw, Cap	17	0412-005	1	Muffler
4	0423-050	2	Washer, Engine	18	8408-830	3	Screw, Cap
5	0423-042	1	Spacer, Engine	19	0406-224	1	Cover, Exhaust
6	0462-006	1	Engine (4X4)	20	8477-610	4	Screw, Machine
	0462-004	1	Engine (2X4)	21	8050-252	3	Washer
7	8428-002	2	Nut, Lock	22	0214-015	1	Clamp
8	0412-007	1	Seal, Exhaust	23	8053-211	4	Washer, Star
9	8424-802	2	Nut	24	8424-602	2	Nut
10	8408-860	1	Screw, Cap	25	8476-640	2	Screw, Cap
11	8408-816	4	Screw, Cap	26	0107-630	2	Spacer
12	0506-083	1	Bracket, Upper Engine	27	0423-079	2	Clamp, Hose (4X4)
13	0502-016	1	Lever, Shift	28	0406-298	1	Plate, Heat - Muffler (4X4)
14	8476-620	1	Screw, Cap				

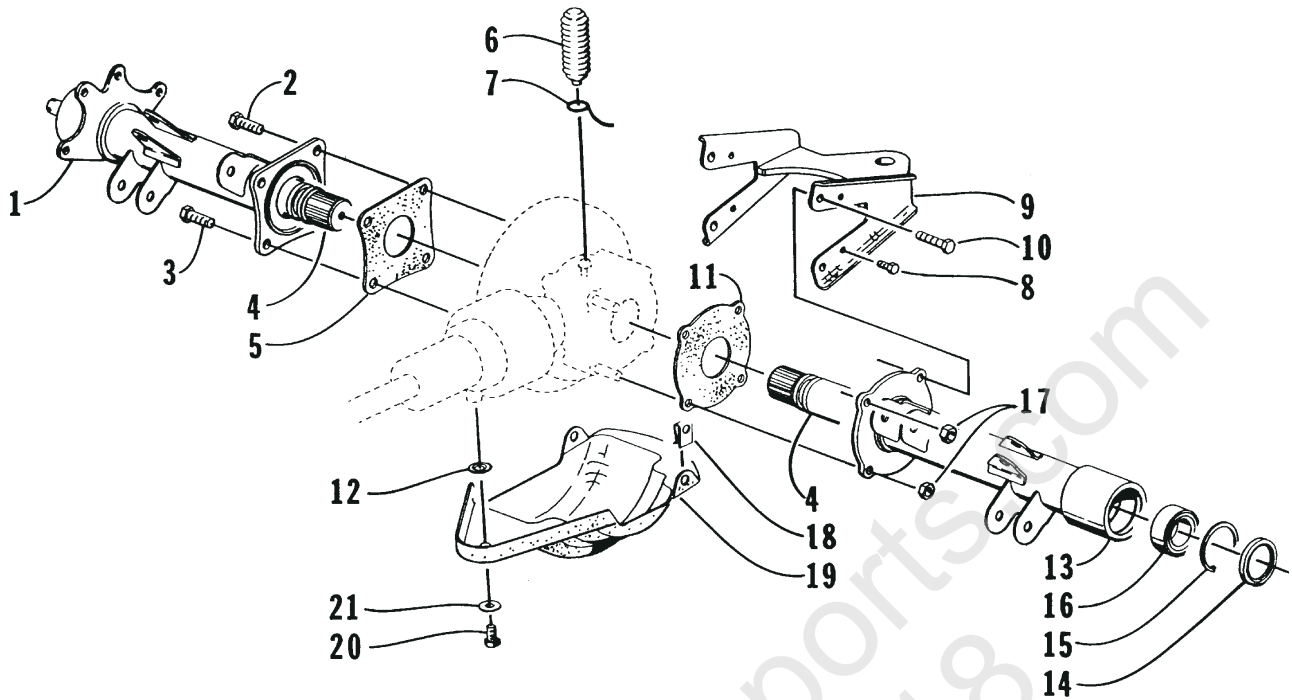


## COOLING ASSEMBLY

0733-422 \*Not a Service Part

Ref.	Part No.	Qty.	Description	Ref.	Part No.	Qty.	Description
1	0413-007	1	Screen, Radiator	15	8474-516	3	Screw, Machine
2	3002-964	2	Clamp, Wire	16	0410-001	1	Hose, Coolant - Lower
3	8476-620	2	Screw, Cap	17	0410-003	1	Hose, Coolant - Crossover
4	0423-030	2	Grommet	18	8474-616	4	Screw, Machine
5	0423-036	2	Collar	19	0423-010	4	Washer, Shoulder
6	0610-016	AR	Hose - 25 ft	20	0406-200	2	Panel, Fender - Inner
7	0413-002	1	Cap, Radiator	21	0413-009	4	Screw, Thumb
8	0413-001	1	Radiator - Assembly (inc. 1, 4, 7, 9-10, 21, and 28)	22	0423-031	4	Nut, Speed
9	0423-062	1	• O-Ring	23	0423-056	1	Nut - Left
10	0430-010	1	• Switch, Temperature Sensor	24	8050-252	1	Washer
11	0423-070	6	Clamp, Hose	25	0423-028	2	Bushing, Stem
12	0410-002	1	Hose, Coolant - Upper	26	8477-616	4	Screw, Machine
13	0413-006	1	Blade, Fan	27	0123-788	8	Tie, Cable
14	0413-004	1	Motor, Fan	28	*	1	N/A
				29	0623-184	2	Washer

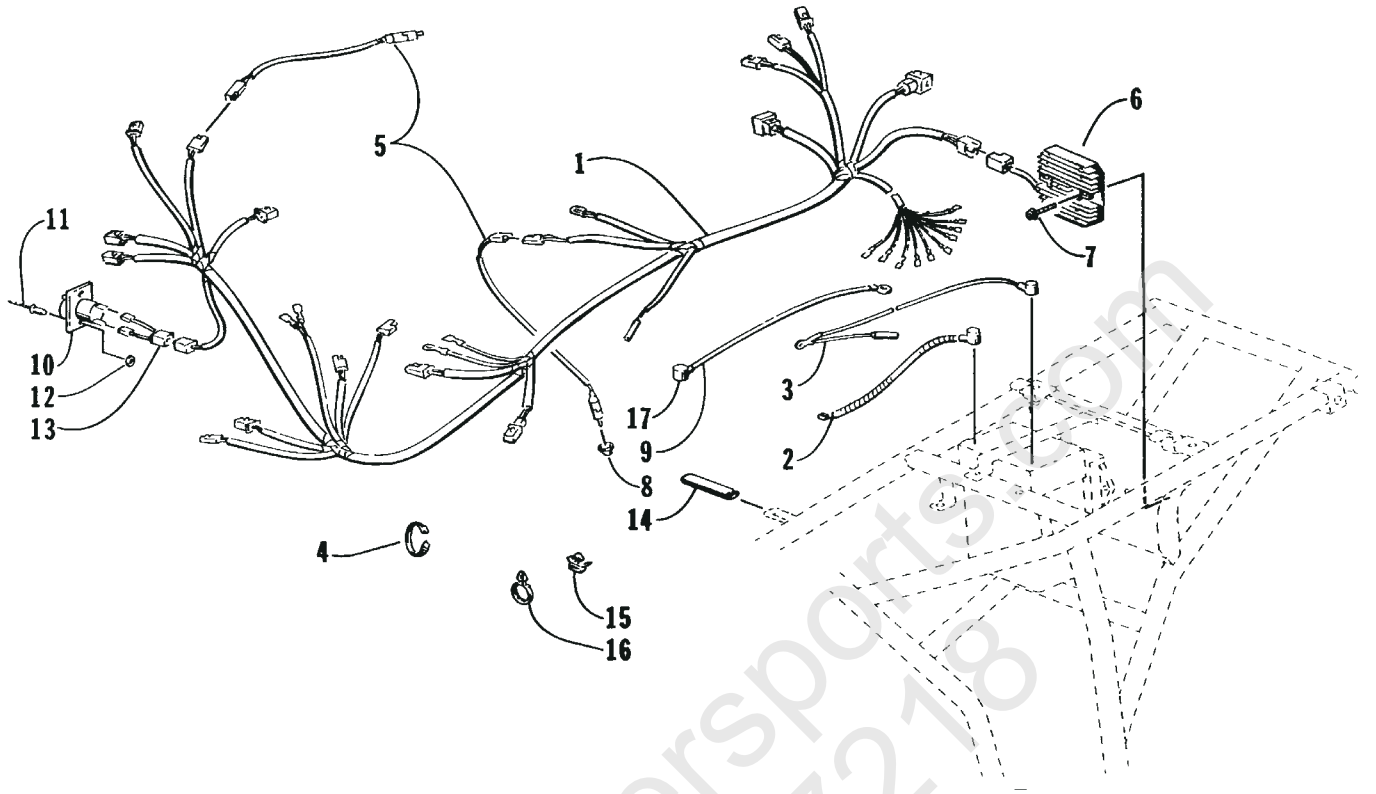
454 4x4  
454 2x4



## REAR AXLE ASSEMBLY

0733-408

Ref.	Part No.	Qty.	Description	Ref.	Part No.	Qty.	Description
1	0502-050	1	Housing, Axle - Rear Right	12	0423-010	1	Washer, Shoulder
2	8409-030	2	Screw, Cap	13	0502-005	1	Housing, Axle - Rear Left
3	8409-025	1	Screw, Cap	14	0402-068	2	Seal
4	0402-191	2	Axle - Rear	15	0423-033	2	C-Clip
5	0402-139	1	Gasket, Rear Axle	16	0402-003	2	Bearing, Wheel Hub - Rear
6	0402-147	1	Bladder, Case	17	8424-802	2	Nut
7	0123-811	1	Tie, Cable	18	0423-031	2	Nut, Speed
8	8476-616	2	Screw, Cap	19	0406-097	1	Panel, Gear Case - Rear
9	0506-135	1	Hitch, Trailer	20	8408-820	1	Screw, Cap
10	8408-840	2	Screw, Cap	21	8050-252	1	Washer
11	0402-138	1	Gasket, Rear Axle				

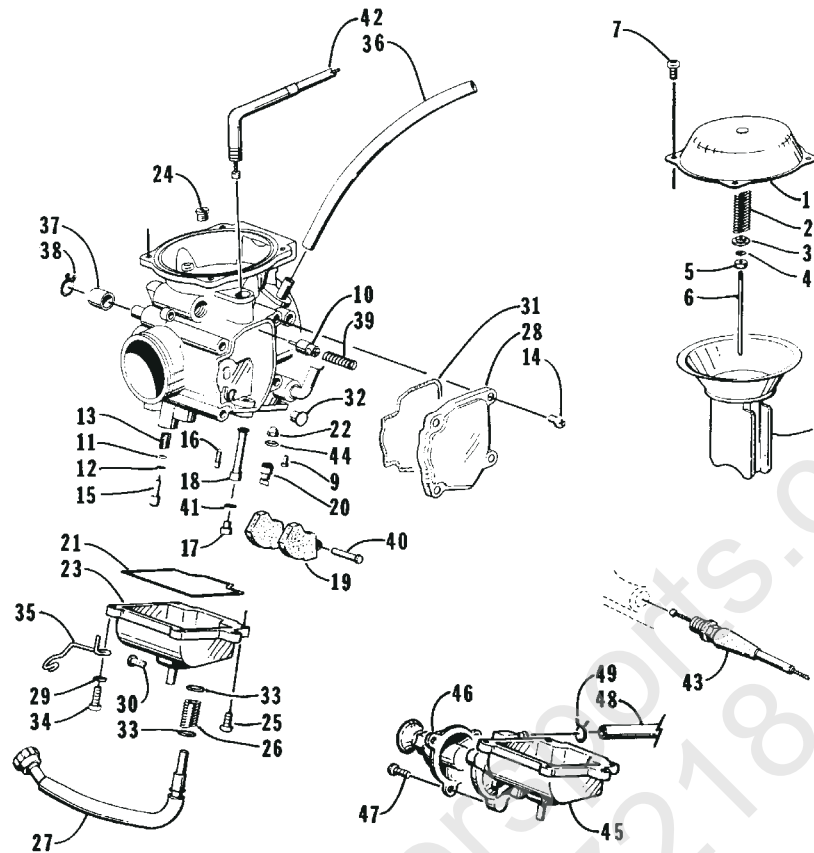


## WIRING HARNESS ASSEMBLY

0733-409

Ref.	Part No.	Qty.	Description	Ref.	Part No.	Qty.	Description
1	0486-007	1	Harness, Main	10	0445-001	4	Receptacle, 12V (4X4)
2	0445-003	1	Cable, Battery/Electric Start Relay	11	8060-426	2	Rivet (4X4)
3	0445-002	1	Cable, Battery/Ground	12	0123-149	2	Washer (4X4)
4	0123-788	AR	Tie, Cable	13	0486-004	1	Harness, 12V Receptacle (4X4)
5	0409-009	2	Switch, Brake - Assembly	14	0406-266	1	Tube, Loom
6	3430-016	1	Regulator, Voltage	15	0423-065	1	Base, Wire Tie
7	8476-625	2	Screw, Cap	16	0423-075	3	Clip, Snap-In
8	0402-168	1	Retainer, Switch	17	0645-019	3	Boot, Terminal
9	0445-004	1	Cable, Battery/Electric Start				



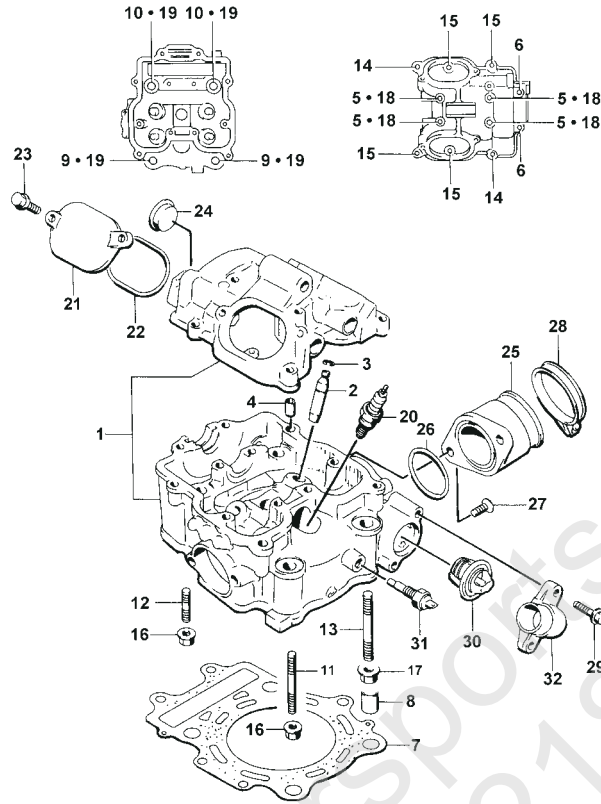


# CARBURETOR

(Complete Assembly p/n 0470-354 (4X4); 0470-317 (2X4))

0733-438

Ref.	Part No.	Qty.	Description	Ref.	Part No.	Qty.	Description
1	4505-001	1	Cover Assembly	25	4505-025	3	Screw
2	<del>4505-046</del>	1	Spring (4X4)	26	4505-026	1	Spring
	4505-002	1	Spring (2X4)	27	4505-027	1	Cable Adjust - Assembly
3	4505-003	1	Ring	28	4505-028	1	Cover
4	4505-004	1	E-Ring	29	4505-029	1	Washer
5	4505-005	1	Ring	30	4505-030	1	Screw
6	4505-020	1	Jet Needle 5D40-4	31	4505-031	1	O-Ring
7	4505-007	4	Screw	32	4505-032	1	Guide, Cable
8	4505-008	1	Diaphragm	33	4505-033	2	Washer
9	4505-009	1	Screw	34	4505-042	1	Screw
10	4505-010	1	Plunger Assembly	35	4505-043	1	Clip
11	4505-011	1	O-Ring	36	4505-035	2	Hose
12	4505-012	1	Washer	37	4505-036	1	Cap
13	4505-013	1	Spring	38	4505-037	1	Clip
14	4505-014	4	Screw	39	4505-039	1	Spring
15	4505-016	1	Screw, Pilot	40	6505-153	1	Pin
16	4505-017	1	Jet, Pilot 40	41	6505-006	1	Washer
17	4505-047	1	Jet, Main 152.5 (4X4)	42	0487-001	1	Cable, Throttle
	4505-019	1	Jet, Main 142.5 (2X4)	43	0487-002	1	Cable, Choke
18	4505-006	1	Needle Jet P-7	44	6505-875	1	O-Ring
19	4505-021	1	Float Assembly	45	<del>4505-049</del>	1	Chamber, Float (4X4)
20	4505-022	1	Seat, Valve 2.0 (With Needle)	46	<del>4505-050</del>	1	Cover Assembly, Primer (4X4)
21	4505-044	1	O-Ring, Bowl	47	<del>4505-051</del>	3	Screw, Cap (4X4)
22	4505-045	1	Filter	48	0470-360	1	Hose (4X4)
23	4505-023	1	Chamber, Float (2X4)	49	<del>4505-053</del>	2	Clip (4X4)
24	4505-024	1	Jet, Pilot - Air				



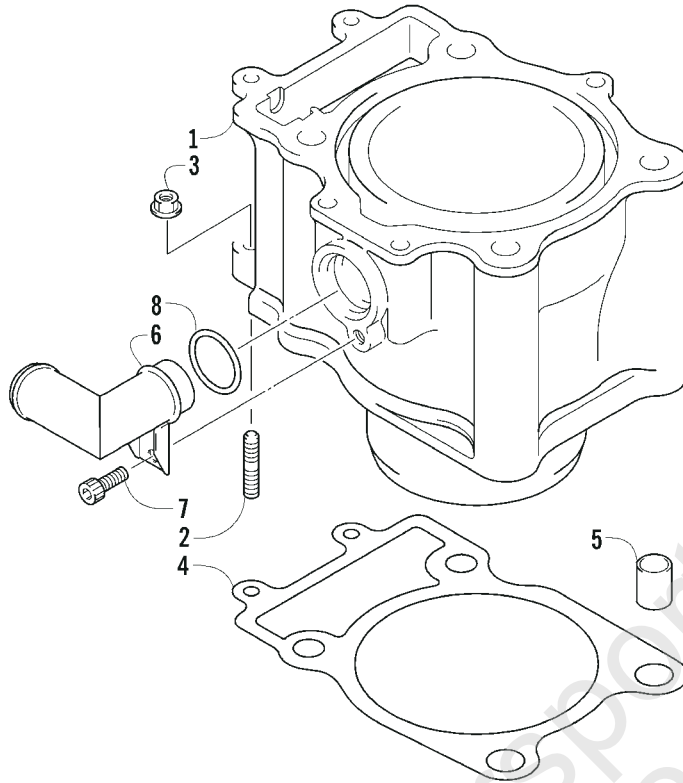
## CYLINDER HEAD ASSEMBLY

(Complete Gasket Set p/n 3402-107)

0732-300 \*Not Illustrated

Ref.	Part No.	Qty.	Description	Ref.	Part No.	Qty.	Description
1	3402-098	1	Head, Cylinder - Assembly (inc. 2-6)	18	3003-290	4	Gasket
2	3402-099	4	● Guide, Valve	19	3402-010	4	Gasket, Head Nut
3	3423-068	4	● Circlip	20	0217-705	1	Spark Plug (NGK CR8E)
4	3423-043	2	● Pin	21	3402-100	2	Cap, Inspection
5	3423-006	4	● Screw, Cap	22	3402-101	2	O-Ring
6	3008-376	2	● Screw, Cap	23	3004-341	4	Screw, Cap
7	3402-163	1	Gasket, Cylinder Head	24	3402-035	1	Plug, Cylinder Head
8	3423-088	2	Pin	25	3402-149	1	Pipe, Intake - Assembly (inc. 26)
9	3423-015	2	Screw, Cap	26	3423-062	1	● O-Ring
10	3423-016	2	Screw, Cap	27	3423-019	2	Screw, Cap
11	3423-089	2	Screw, Cylinder Head Stud	28	3402-086	1	Clamp
12	3423-087	2	Screw, Cylinder Head Stud	29	3004-341	2	Screw, Cap
13	3423-203	1	Bolt, Stud	30	3413-005	1	Thermostat
14	3423-007	2	Screw, Cap	31	3530-005	1	Switch, Water Temp - Assembly
15	3004-376	4	Screw, Cap	32	3413-004	1	Cover, Thermostat
16	3004-488	4	Nut	33	3402-048	1	Plug, Frost*
17	3004-326	1	Nut				

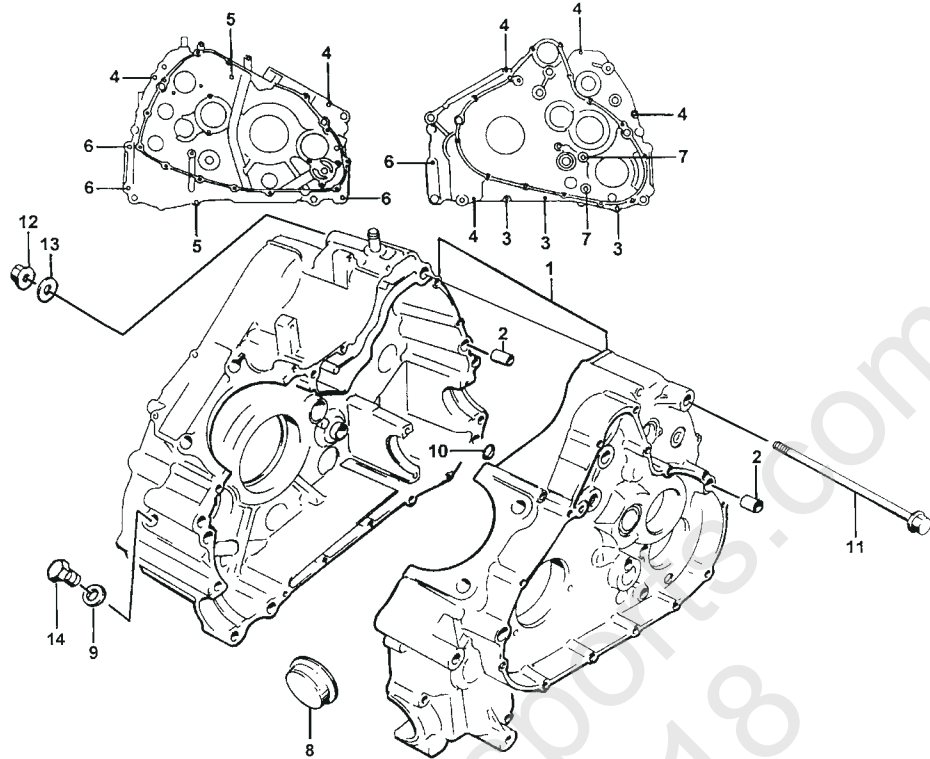
454 4x4  
454 2x4



## CYLINDER ASSEMBLY

0732-301

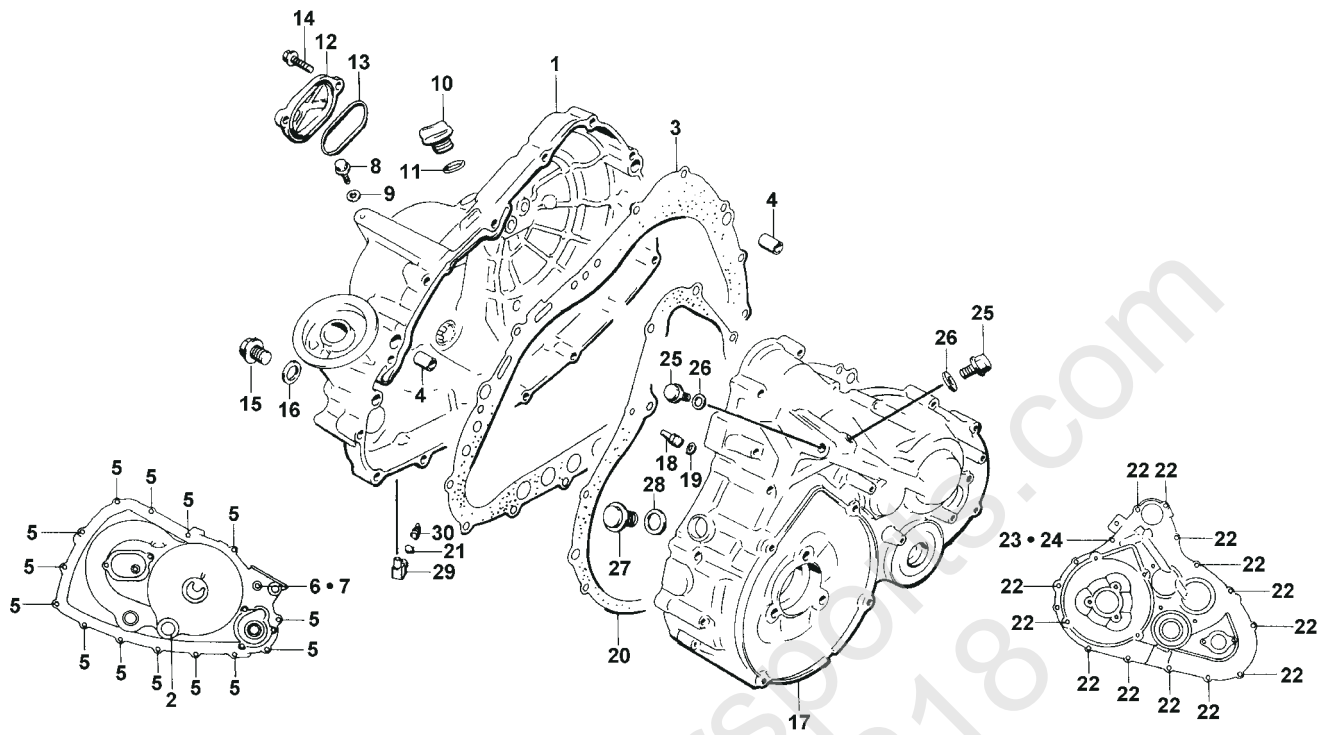
Ref.	Part No.	Qty.	Description	Ref.	Part No.	Qty.	Description
1	3402-102	1	Cylinder	5	3423-088	2	Pin
2	3423-090	2	Bolt, Stud	6	3413-006	1	Union, Water Hose
3	3004-488	2	Nut	7	3423-121	1	Screw, Cap
4	3402-103	1	Gasket, Cylinder	8	3423-058	1	O-Ring



## CRANKCASE ASSEMBLY

0732-935

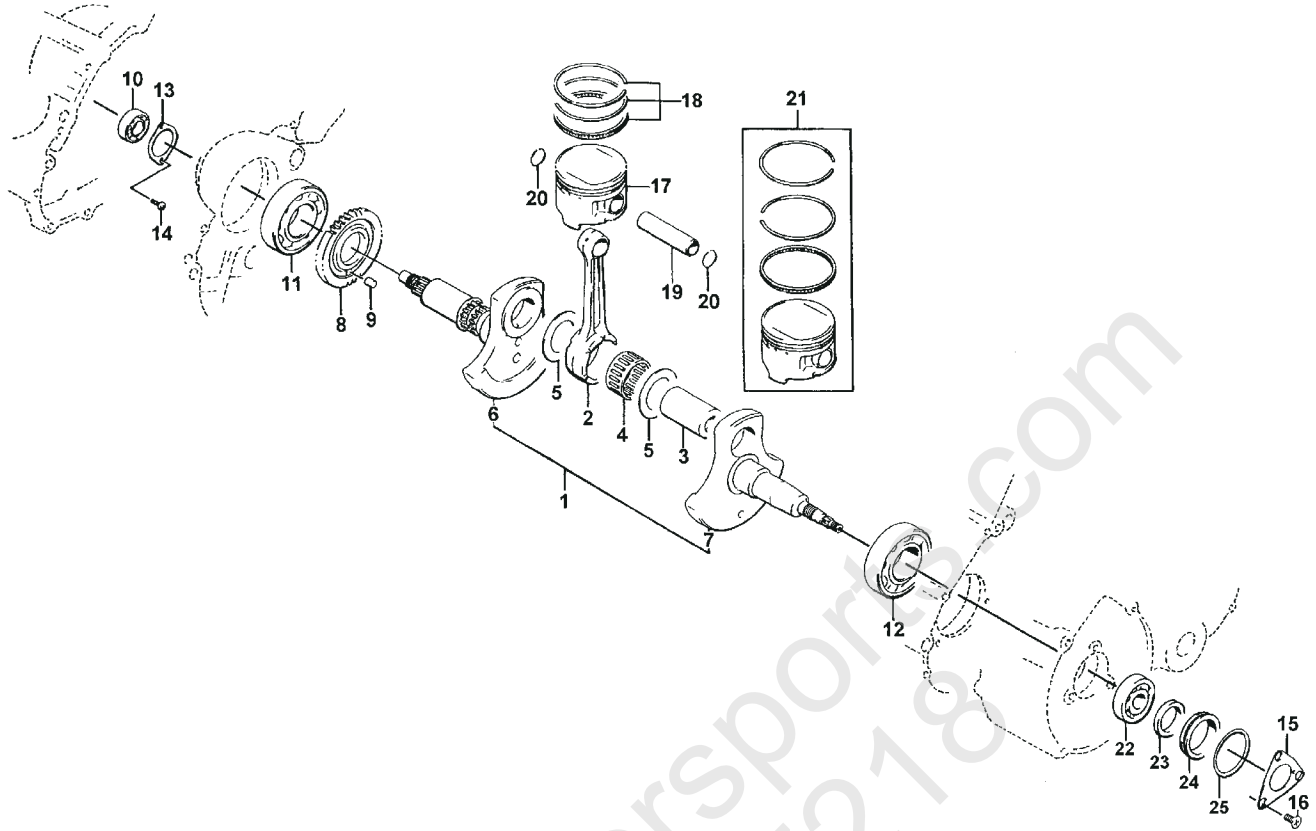
Ref.	Part No.	Qty.	Description	Ref.	Part No.	Qty.	Description
1	3402-198	1	Crankcase Set (inc. 2-8) (4X4)	8	3423-208	1	● Plug (2X4)
	3402-196	1	Crankcase Set (inc. 2-8) (2X4)	9	3402-011	1	Gasket
2	3423-088	4	● Pin	10	3423-052	1	O-Ring
3	3423-091	3	● Screw, Cap	11	3423-009	3	Screw, Cap
4	3423-092	6	● Screw, Cap	12	3423-024	3	Nut
5	3423-094	2	● Screw, Cap	13	3004-278	3	Washer (4X4)
6	0693-303	4	● Screw, Cap		3004-363	3	Washer (2X4)
7	3423-093	2	● Screw, Cap	14	3423-095	1	Plug, Oil Gallery



## CRANKCASE COVER ASSEMBLY

0732-303

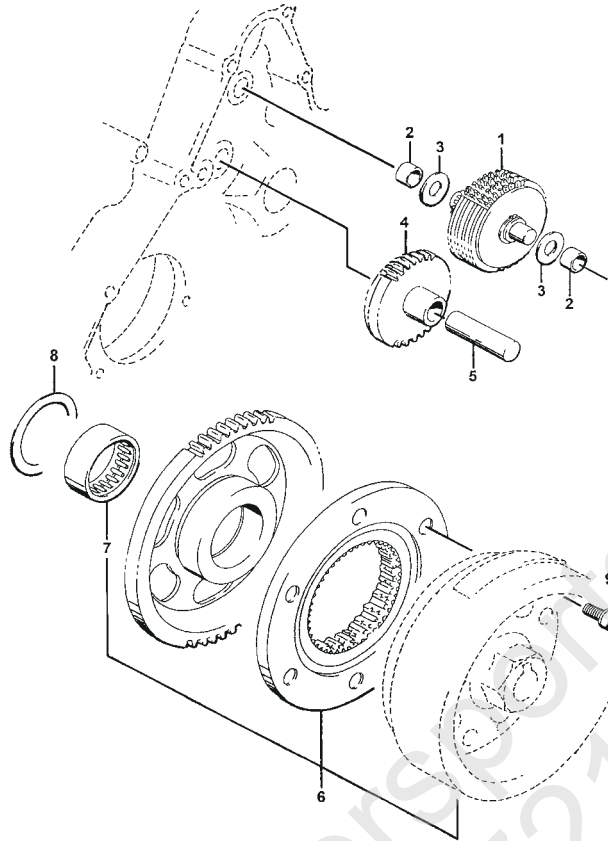
Ref.	Part No.	Qty.	Description	Ref.	Part No.	Qty.	Description
1	3402-199	1	Cover, Clutch (inc. 2)	16	3402-012	1	Gasket
2	3402-112	1	• Lens, Oil Inspection	17	3402-106	1	Cover Set, Transfer (inc. 18-19)
3	3402-108	1	Gasket	18	3402-097	1	• Jet, Oil Mission
4	3423-088	2	Pin	19	3423-051	1	• O-Ring
5	0693-327	14	Screw, Cap	20	3402-109	1	Gasket
6	3423-097	1	Screw, Cap	21	3423-120	1	Clip
7	3003-290	1	Gasket	22	3423-098	13	Screw, Cap
8	3004-339	1	Plug, Oil Gallery	23	3423-092	1	Screw, Cap
9	3402-009	1	Gasket	24	3003-290	1	Gasket
10	3402-042	1	Cap, Engine Oil Filler	25	3004-705	2	Plug, Oil Gallery
11	3423-055	1	O-Ring	26	3003-188	2	Gasket
12	3402-100	1	Cap, Inspection	27	3402-192	1	Plug, Allen Head
13	3402-101	1	O-Ring	28	3402-013	1	Gasket
14	3423-096	2	Screw, Cap	29	3413-009	1	Union, Water Drain
15	3402-037	1	Plug, Oil Pressure	30	3413-008	1	Hose



## CRANKSHAFT ASSEMBLY

0732-304 \* Not a Service Part

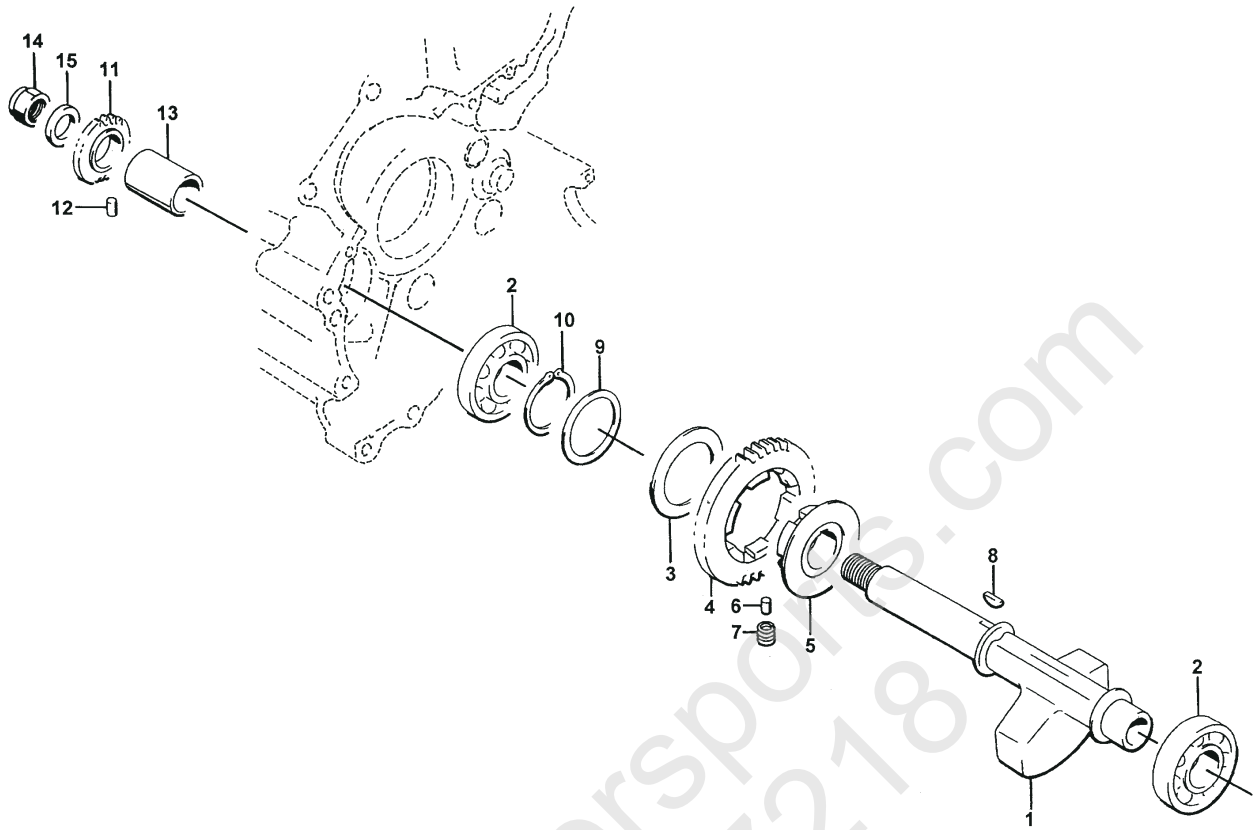
Ref.	Part No.	Qty.	Description	Ref.	Part No.	Qty.	Description
1	3402-115	1	Crankshaft - Assembly (inc. 2-9)	16	3423-018	3	Screw, Cap
2	3402-111	1	● Rod, Connecting	17	3402-113	1	Piston
3	3402-116	1	● Pin, Crank	18	3402-114	1	Ring Set, Piston
4	3402-064	1	● Bearing		3436-007	1	Ring Set (+0.020 in.)
5	3423-030	2	● Washer		3436-008	1	Ring Set (+0.040 in.)
6	3402-193	1	● Crankshaft Set - Right (inc. 8-9)	19	3402-110	1	Pin
7	3402-118	1	● Crankshaft - Left	20	3423-069	2	Circlip
8	*	1	● Gear, Balancer Drive	21	3436-002	1	Piston Set (+0.020 in.)
9	*	1	● Pin		3436-003	1	Piston Set (+0.040 in.)
10	3402-044	1	Bearing - Right	22	3402-051	1	Bearing
11	3402-058	1	Bearing - Center	23	3402-070	1	Seal, Oil
12	3402-054	1	Bearing - Left	24	3402-119	1	Spacer
13	3402-120	1	Retainer, Bearing - Right	25	3423-063	1	O-Ring
14	3423-017	2	Screw, Cap				
15	3402-188	1	Retainer, Oil Seal - Left				



## STARTER CLUTCH ASSEMBLY

0732-305

Ref.	Part No.	Qty.	Description	Ref.	Part No.	Qty.	Description
1	3402-123	1	Limiter, Idle Gear - Assembly	6	3402-122	1	Clutch, Starter - Set (inc. 7)
2	3402-125	2	Bushing	7	3402-063	1	● Bearing
3	3423-103	2	Washer	8	3423-104	1	Washer
4	3402-124	1	Gear, Starter Idle	9	3423-102	6	Screw, Cap
5	3423-042	1	Pin				

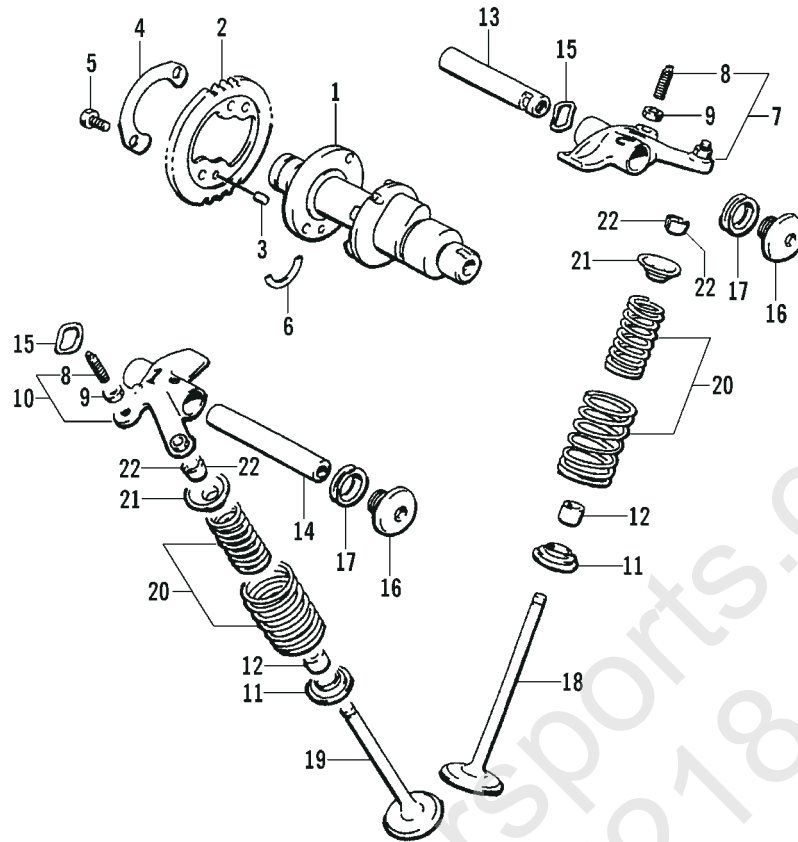


## CRANK BALANCER ASSEMBLY

0732-306

Ref.	Part No.	Qty.	Description	Ref.	Part No.	Qty.	Description
1	3402-126	1	Balancer, Crank	9	3423-107	1	Washer
2	3402-050	2	Bearing	10	3423-200	1	Circlip
3	3423-033	1	Washer	11	3402-150	1	Gear, Oil Pump Drive
4	3402-128	1	Gear, Driven	12	3423-114	1	Pin
5	3402-129	1	Race, Driven Gear Inner	13	3402-151	1	Spacer
6	3423-106	3	Pin	14	3423-025	1	Nut, Lock
7	3402-090	6	Spring	15	3423-029	1	Washer
8	3004-540	1	Key				

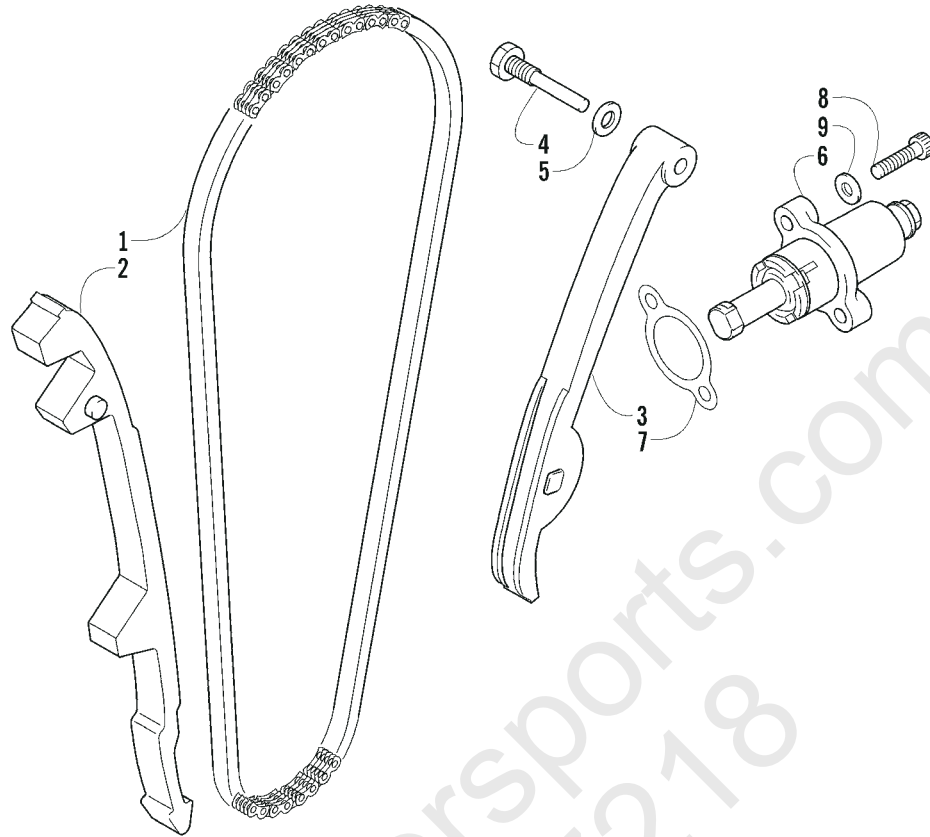




## CAM SHAFT VALVE ASSEMBLY

0732-307

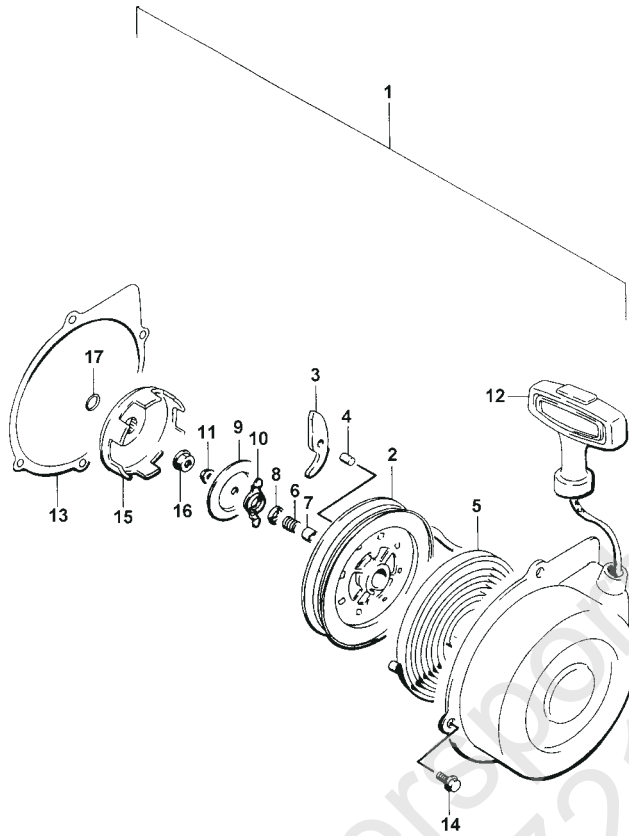
Ref.	Part No.	Qty.	Description	Ref.	Part No.	Qty.	Description
1	3402-130	1	Cam Shaft	12	3402-078	4	Seal, Oil
2	3402-131	1	Sprocket	13	3402-140	1	Shaft, Rocker Arm
3	3423-047	1	Pin	14	3402-141	1	Shaft, Rocker Arm
4	3423-073	1	Washer	15	3423-031	2	Washer
5	3423-013	2	Screw, Cap	16	3402-040	2	Plug, Shaft
6	3423-071	1	C-Ring	17	3402-012	2	Gasket
7	3402-138	1	Arm, Valve Rocker (inc. 8-9)	18	3402-142	2	Valve, Intake
8	3423-075	2	• Screw, Cap	19	3402-143	2	Valve, Exhaust
9	3423-076	2	• Nut	20	3402-144	4	Spring, Valve - Set
10	3402-139	1	Arm, Valve Rocker (inc. 8-9)	21	3402-146	4	Retainer, Spring
11	3402-148	4	Seat, Spring	22	3402-147	8	Cotter, Valve



### CAM CHAIN ASSEMBLY

0732-308

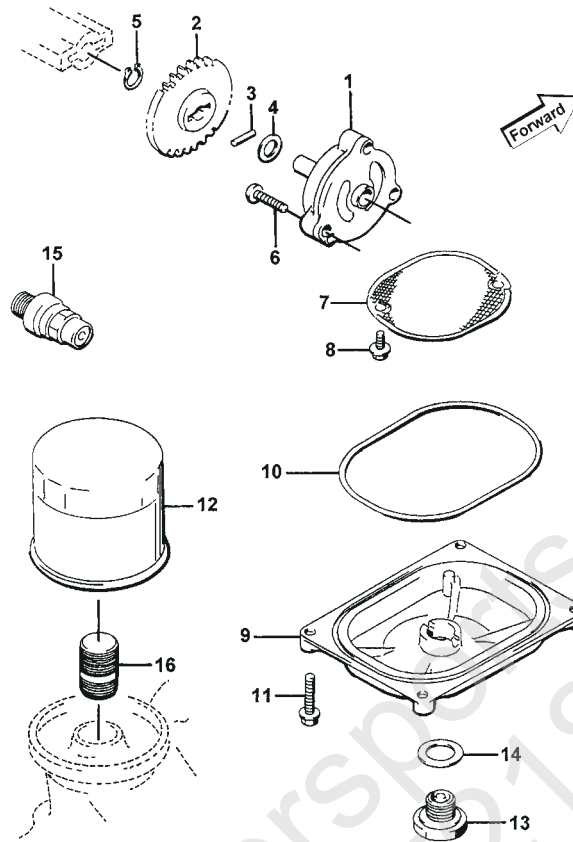
Ref.	Part No.	Qty.	Description	Ref.	Part No.	Qty.	Description
1	3402-133	1	Chain, Cam	6	3402-136	1	Adjuster, Tensioner - Assembly
2	3402-134	1	Guide, Chain	7	3402-137	1	Gasket
3	3402-135	1	Tensioner, Chain	8	3004-475	2	Screw, Cap
4	3423-074	1	Screw, Cap	9	3003-290	2	Gasket
5	3003-188	1	Washer				



## RECOIL STARTER ASSEMBLY

0732-309 \* Not a Service Part

Ref.	Part No.	Qty.	Description	Ref.	Part No.	Qty.	Description
1	3445-003	1	Starter, Recoil - Assembly (inc. 2-12)	10	*	1	● Guide, Ratchet
2	3445-004	1	● Reel	11	3004-488	1	● Nut
3	3445-016	1	● Ratchet Assembly (inc. 4 and 6-10)	12	3445-011	1	● Rope Assembly
4	*	1	● Pin, Ratchet	13	3445-013	1	Gasket
5	3445-007	1	● Spring, Spiral	14	3423-112	4	Screw, Cap
6	*	1	● Spring, Friction	15	3445-015	1	Cup, Starter
7	*	1	● Shaft	16	3004-491	1	Nut
8	*	1	● Cover, Spring	17	3423-053	1	O-Ring
9	*	1	● Plate, Friction				

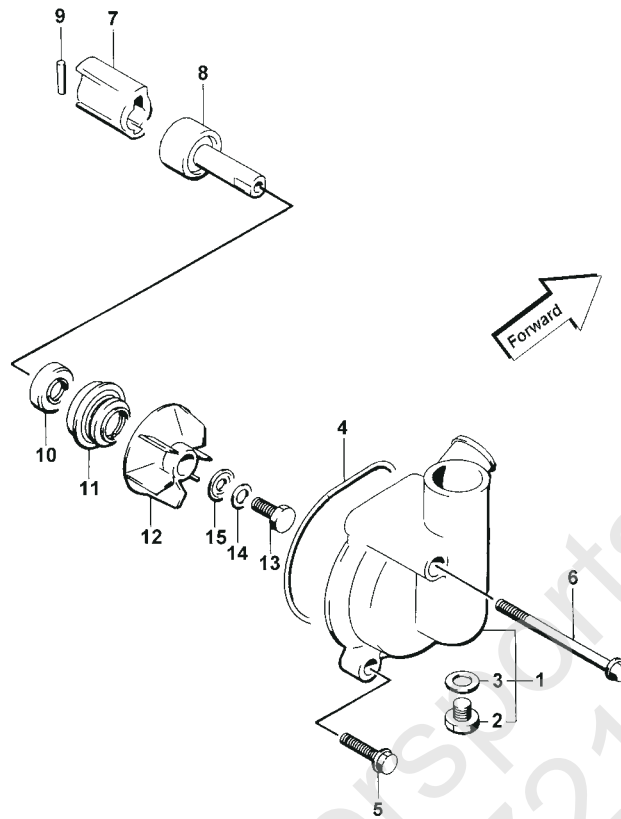


## OIL FILTER/PUMP ASSEMBLY

0732-310

Ref.	Part No.	Qty.	Description	Ref.	Part No.	Qty.	Description
1	3402-153	1	Pump, Engine Oil	9	3402-157	1	Cap, Oil Strainer
2	3402-026	1	Gear, Driven	10	3423-077	1	O-Ring
3	3423-046	1	Pin	11	3004-756	4	Screw, Cap
4	3423-115	1	Washer	12	0436-001	1	Filter, Engine Oil
5	3423-184	1	Circlip	13	3402-036	1	Plug, Drain
6	3423-113	3	Screw, Cap	14	3402-012	1	Gasket
7	3402-156	1	Strainer, Engine Oil	15	3402-154	1	Valve, Oil Relief - Assembly
8	0693-389	2	Screw, Cap	16	3402-158	1	Union, Oil Filter

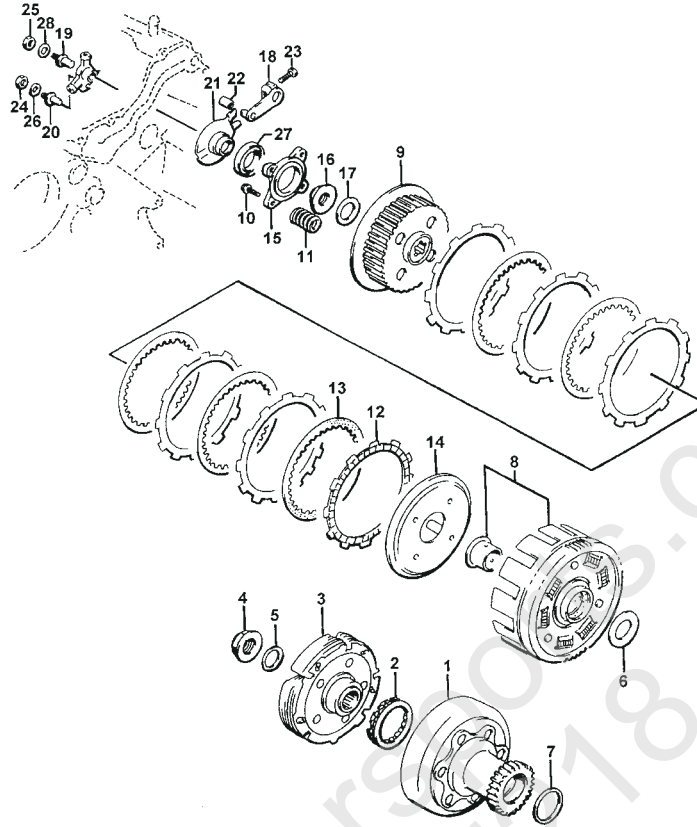
454 4x4  
454 2x4



## WATER PUMP ASSEMBLY

0732-311

Ref.	Part No.	Qty.	Description	Ref.	Part No.	Qty.	Description
1	3402-159	1	Case, Water Pump (inc. 2-3)	8	3413-002	1	Shaft, Water Pump w/Bearing
2	3423-185	1	• Screw, Cap	9	3423-046	1	Pin
3	3003-188	1	• Gasket	10	3003-356	1	Seal, Pump Drive
4	3423-078	1	O-Ring	11	3003-466	1	Seal, Mechanical
5	3004-507	2	Screw, Cap	12	3413-001	1	Impeller
6	3423-119	1	Screw, Cap	13	3003-426	1	Screw, Cap
7	3413-003	1	Joint, Pump Drive (4X4)	14	3003-431	1	Washer
	3413-010	1	Joint, Pump Drive (2X4)	15	3003-432	1	Gasket



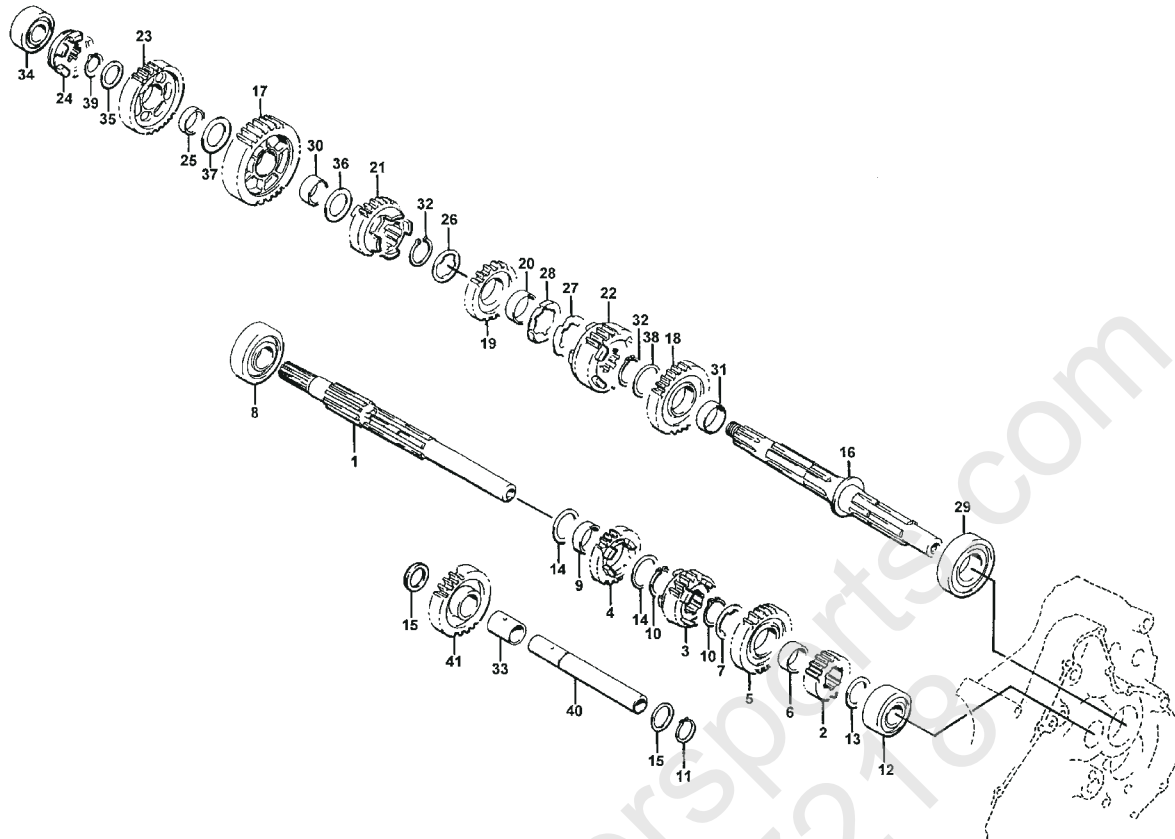
## CLUTCH ASSEMBLY

0732-312

Ref.	Part No.	Qty.	Description	Ref.	Part No.	Qty.	Description
1	3446-001	1	Housing, Starter Clutch	15	3446-009	1	Plate, Clutch Release
2	3446-003	1	Clutch, Primary Drive One Way	16	3423-080	1	Nut, Clutch Sleeve Hub
3	3446-010	1	Shoe, Starter Clutch	17	3423-032	1	Washer, Sleeve Hub
4	3423-081	1	Nut, Starter Clutch Shoe	18	3446-011	1	Arm, Clutch Release
5	3423-032	1	Washer, Starter Shoe	19	3423-082	1	Bolt, Clutch (No. 1)
6	3423-122	1	Washer, Primary Driven	20	3423-083	2	Bolt, Clutch (No. 2)
7	3423-186	1	Washer, Primary Driven	21	3446-012	1	Guide, Release Roller
8	3446-002	1	Gear, Primary Driven - Assembly	22	3446-013	1	Roller, Clutch Release - Assembly
9	3446-004	1	Hub, Clutch Sleeve	23	3423-125	1	Bolt, Clutch Release Arm
10	3423-079	4	Screw, Cap, Clutch Spring	24	3008-014	1	Nut, Clutch Release (No. 2)
11	3446-005	4	Spring, Clutch	25	3423-022	1	Nut, Clutch Release (No. 1)
12	3446-006	6	Plate, Clutch Drive	26	3423-027	1	Washer, Clutch (No.2)
13	3446-007	5	Plate, Clutch Driven	27	3402-186	1	Bearing, Clutch
14	3446-008	1	Disk, Clutch Pressure	28	3423-204	1	Washer, Clutch (No. 1)

454 4x4

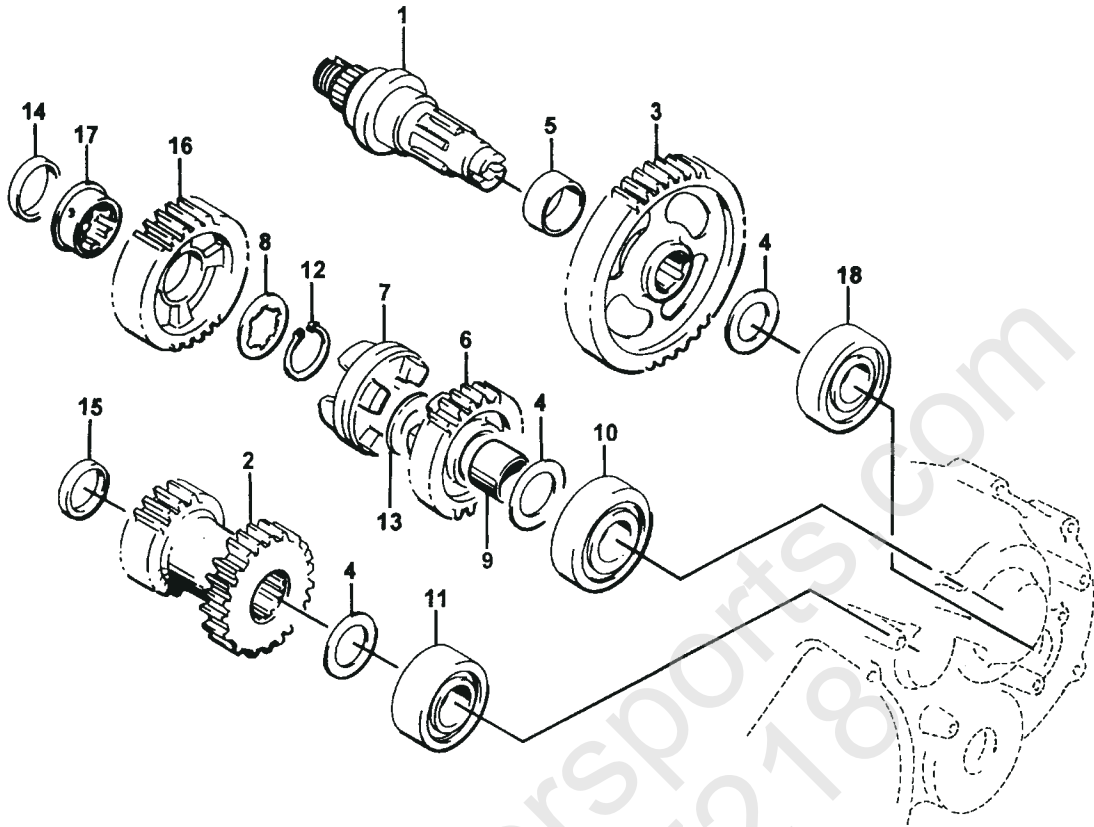
454 2x4



## TRANSMISSION ASSEMBLY

0732-313

Ref.	Part No.	Qty.	Description	Ref.	Part No.	Qty.	Description
1	3446-014	1	Shaft, Counter	21	3446-025	1	Gear, 4th Driven
2	3446-016	1	Gear, 2nd Drive	22	3446-026	1	Gear, 5th Driven
3	3446-017	1	Gear, 3rd Drive	23	3446-029	1	Gear, Reverse Driven
4	3446-018	1	Gear, 4th Drive	24	3446-030	1	Dog, Reverse
5	3446-019	1	Gear, 5th Drive	25	3446-032	1	Bushing, Reverse Driven
6	3446-020	1	Bushing, 5th Drive Gear	26	3423-038	1	Washer, 3rd Driven - Right
7	3423-037	1	Washer, 5th Drive Gear	27	3423-039	1	Washer, 3rd Driven - Left
8	3402-049	1	Bearing, Center Shaft - Right	28	3423-040	1	Washer, 3rd Driven - Left
9	3402-081	1	Bushing, 4th Drive Gear	29	3402-053	1	Bearing, Driveshaft
10	3423-066	2	Circlip, 4th Drive	30	3402-080	1	Bushing, 1st Driven
11	3423-190	1	Circlip, Reverse Idle	31	3402-082	1	Bushing, 2nd Driven
12	3402-179	1	Bearing, Center Shaft	32	3423-188	2	Circlip, 2nd Driven
13	3423-126	1	Washer, 2nd Drive (4X4)	33	3402-079	1	Bushing, Reverse Idle
	3402-195	1	Shim (2X4)	34	3003-320	1	Bearing, Driveshaft - Right
14	3423-187	2	Washer, 4th Drive	35	3423-129	1	Washer, Reverse Driven
15	3423-126	2	Washer, Reverse Idle	36	3423-130	1	Washer, 1st Driven - Left
16	3446-015	1	Shaft, Drive	37	3423-131	1	Washer, 1st Driven - Right
17	3446-021	1	Gear, 1st Driven	38	3003-605	1	Washer, 2nd Driven
18	3446-022	1	Gear, 2nd Driven	39	3423-189	1	Circlip, Reverse Driven
19	3446-023	1	Gear, 3rd Driven	40	3446-027	1	Shaft, Reverse Idle
20	3446-024	1	Bushing, 3rd Driven	41	3446-028	1	Gear, Reverse Idle

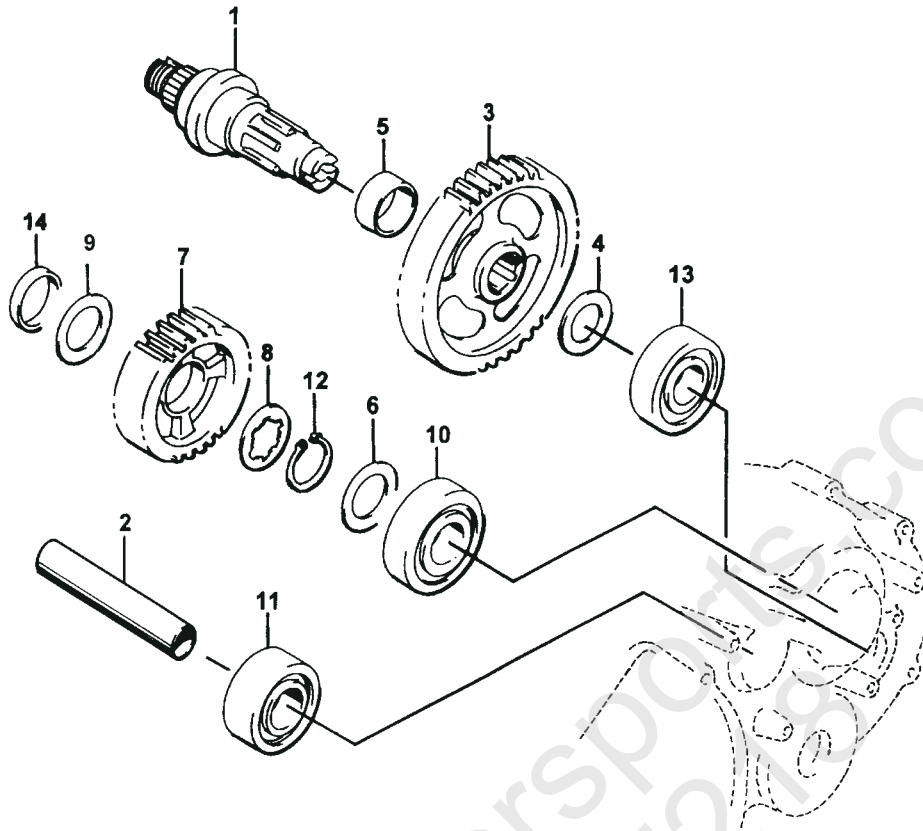


## SECONDARY TRANSMISSION ASSEMBLY

0732-314

Ref.	Part No.	Qty.	Description	Ref.	Part No.	Qty.	Description
1	3446-065	1	Shaft, Output	10	3402-046	1	Bearing, Driveshaft - Left
2	3446-066	1	Gear, Idle	11	3402-047	1	Bearing, Center Shaft - Left
3	3446-072	1	Gear, Driven	12	3423-066	1	Circlip, (No. 1)
4	3423-150	3	Washer	13	3423-126	1	Washer, Gear (No. 2)
5	3402-015	1	Spacer, Drive	14	3446-068	1	Spacer
6	3446-070	1	Gear, (No. 2)	15	3423-148	1	Spacer, Idle Gear
7	3446-108	1	Dog, Select Sliding	16	3446-067	1	Gear, (No. 1)
8	3423-036	1	Washer	17	3446-069	1	Bushing
9	3446-103	1	Bushing	18	3402-045	1	Bearing Set - Left

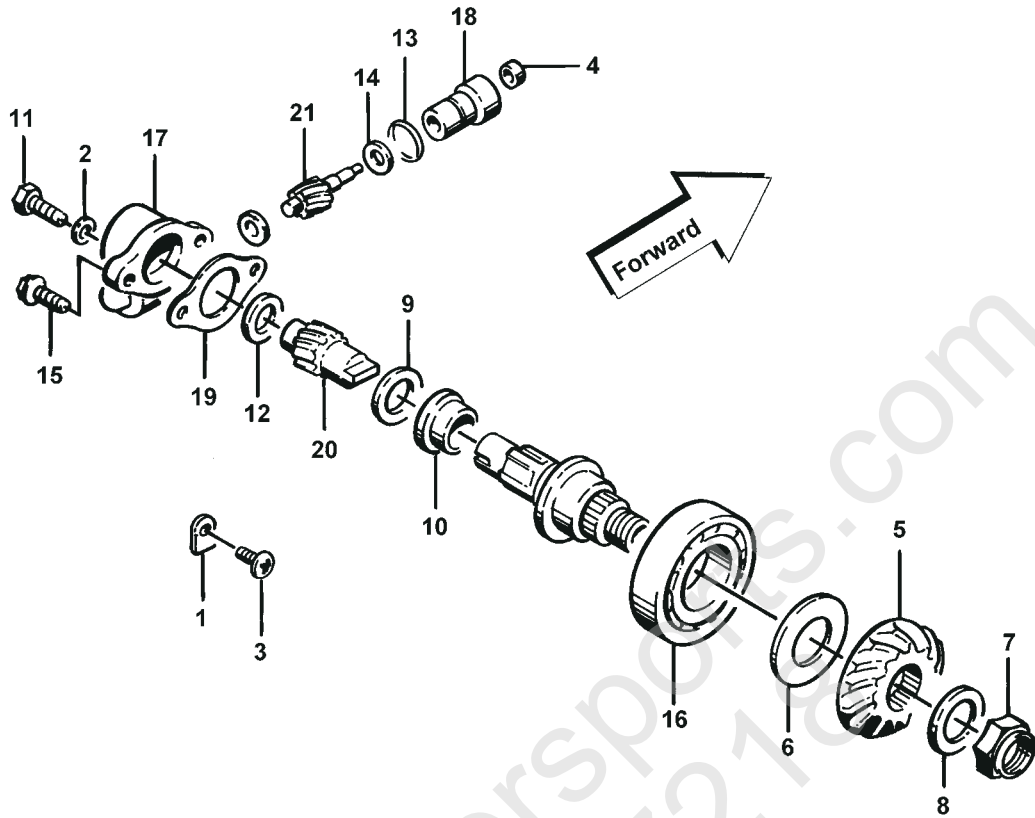




## SECONDARY TRANSMISSION ASSEMBLY

0732-936

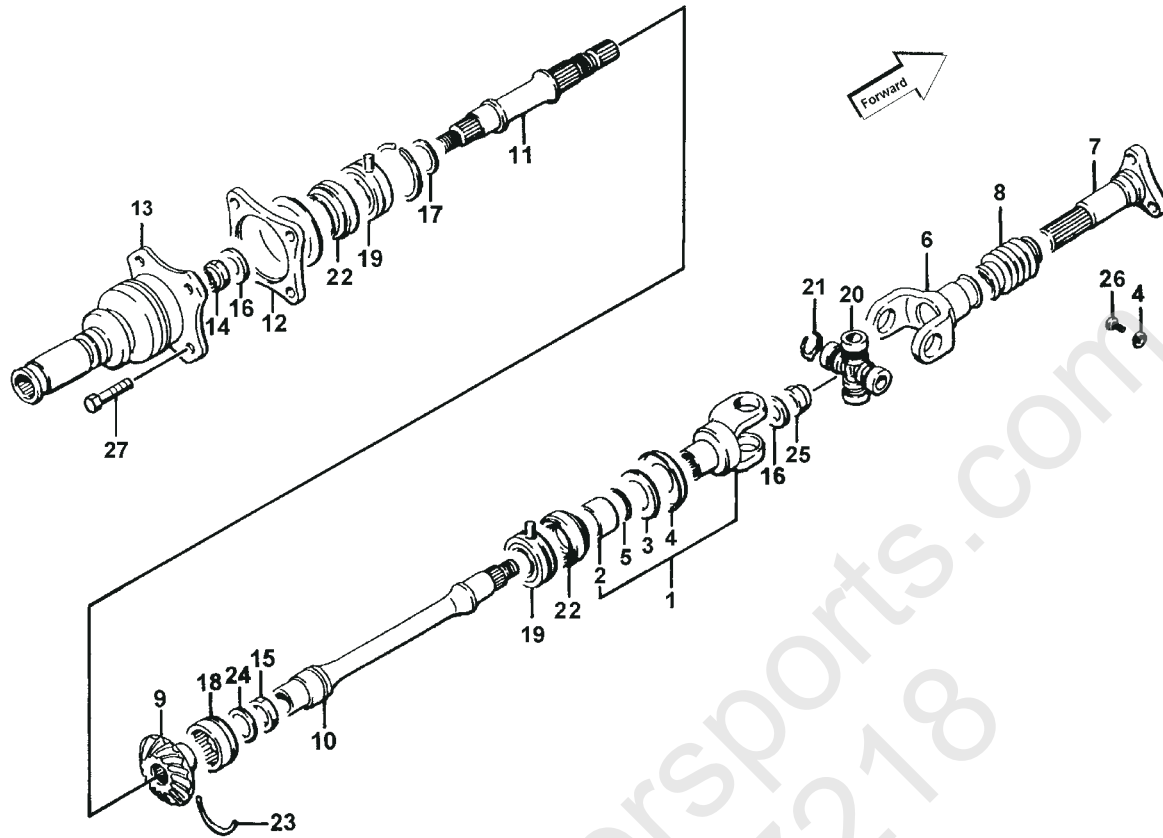
Ref.	Part No.	Qty.	Description	Ref.	Part No.	Qty.	Description
1	3446-065	1	Shaft, Output	8	3423-036	1	Washer
2	3446-109	1	Spacer, Idle Gear	9	3423-209	1	Washer
3	3446-072	1	Gear, Driven	10	3402-046	1	Bearing, Driveshaft - Left
4	3423-150	1	Washer	11	3402-047	1	Bearing, Center Shaft - Left
5	3402-015	1	Spacer, Drive	12	3423-066	1	Circlip, (No. 1)
6	3402-194	1	Washer	13	3402-045	1	Bearing Set - Left
7	3446-110	1	Gear, (No. 1)	14	3446-068	1	Spacer



## SPEEDOMETER DRIVE ASSEMBLY

0732-459

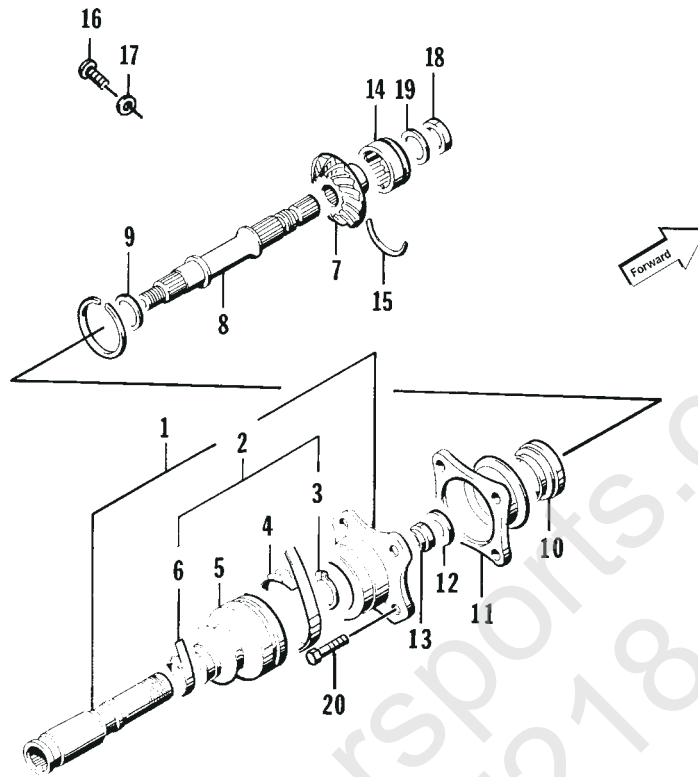
Ref.	Part No.	Qty.	Description	Ref.	Part No.	Qty.	Description
1	3446-031	2	Retainer, Bearing	11	3423-143	1	Bolt, Gear
2	3402-009	1	Washer, Driven	12	3423-145	1	Washer
3	3004-552	2	Screw, Retainer	13	3423-056	1	O-Ring
4	3402-077	1	Seal, Driven Gear	14	3423-144	1	Washer
5	3446-033	1	Gear	15	3004-507	2	Bolt, Gear
6	3446-035	1	Shim Set	16	3402-055	1	Bearing Set - Right
7	3423-023	1	Nut	17	3446-057	1	Housing, Odometer Gear
8	3423-032	1	Washer	18	3446-058	1	Sleeve
9	3423-146	1	Washer - Right	19	3446-059	1	Gasket
10	3446-062	1	Spacer, Driven Gear (4X4)	20	3446-060	1	Gear, Drive
	3446-114	1	Spacer, Driven Gear (2X4)	21	3446-061	1	Gear, Driven



## SECONDARY DRIVE ASSEMBLY

0732-315

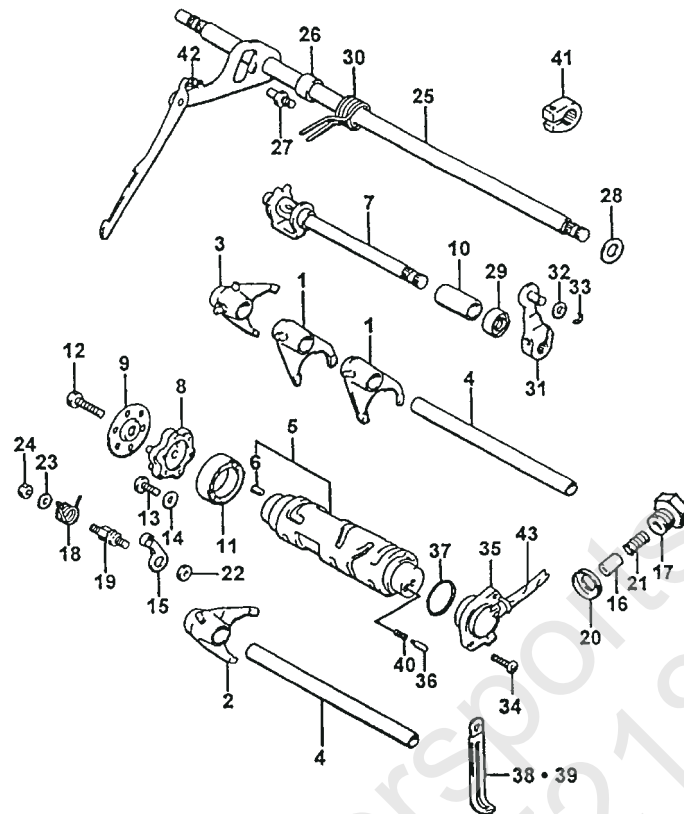
Ref.	Part No.	Qty.	Description	Ref.	Part No.	Qty.	Description
1	3435-001	1	Yoke, Drive Output (inc. 2-5)	18	3402-062	1	Bearing w/Groove
2	3435-029	1	• Collar, Yoke	19	3402-067	2	Bearing w/ Locating Ring and Pin
3	3435-030	1	• Plate, Yoke Collar	20	3435-011	1	Joint Set, Universal (inc. 21)
4	3423-035	1	• Plate, Yoke Collar	21	3423-067	4	• Circlip
5	3423-060	1	• O-Ring, Yoke Collar	22	3402-072	2	Seal, Oil
6	3435-002	1	Yoke, Joint	23	3423-072	1	Ring, Bearing
7	3435-004	1	Shaft, Propeller	24	3423-137	1	Washer
8	3435-005	1	Boot, Propeller Shaft	25	3423-025	1	Nut
9	3446-034	1	Gear	26	3004-552	1	Screw, Cap
10	3446-036	1	Shaft - Front	27	8408-820	4	Screw, Cap
11	3446-037	1	Shaft - Rear				
12	3435-003	1	Flange, Output Joint				
13	3435-010	1	Joint Assembly, Rear Output				
14	3423-178	1	Nut, Front Drive Bevel Gear				
15	3423-136	1	Nut				
16	3423-028	2	Washer, Rear Output Flange				
17	3402-017	1	Shim, 25 x 34 x 0.6 mm				
	3402-018	1	Shim, 25 x 34 x 0.65 mm				
	3402-019	1	Shim, 25 x 34 x 0.700 mm				
	3402-020	1	Shim, 25 x 34 x 0.75 mm				
	3402-021	1	Shim, 25 x 34 x 0.80 mm				
	3402-022	1	Shim, 25 x 34 x 0.85 mm				
	3402-023	1	Shim, 25 x 34 x 0.90 mm				
	3402-024	1	Shim, 25 x 34 x 0.95 mm				
	3402-025	1	Shim, 25 x 34 x 1 mm				
	3402-028	1	Shim, 25 x 34 x 1.05 mm				
	3402-029	1	Shim, 25 x 34 x 1.10 mm				
	3402-030	1	Shim, 25 x 34 x 1.15 mm				
	3402-031	1	Shim, 25 x 34 x 1.20 mm				



## SECONDARY DRIVE ASSEMBLY

0732-937

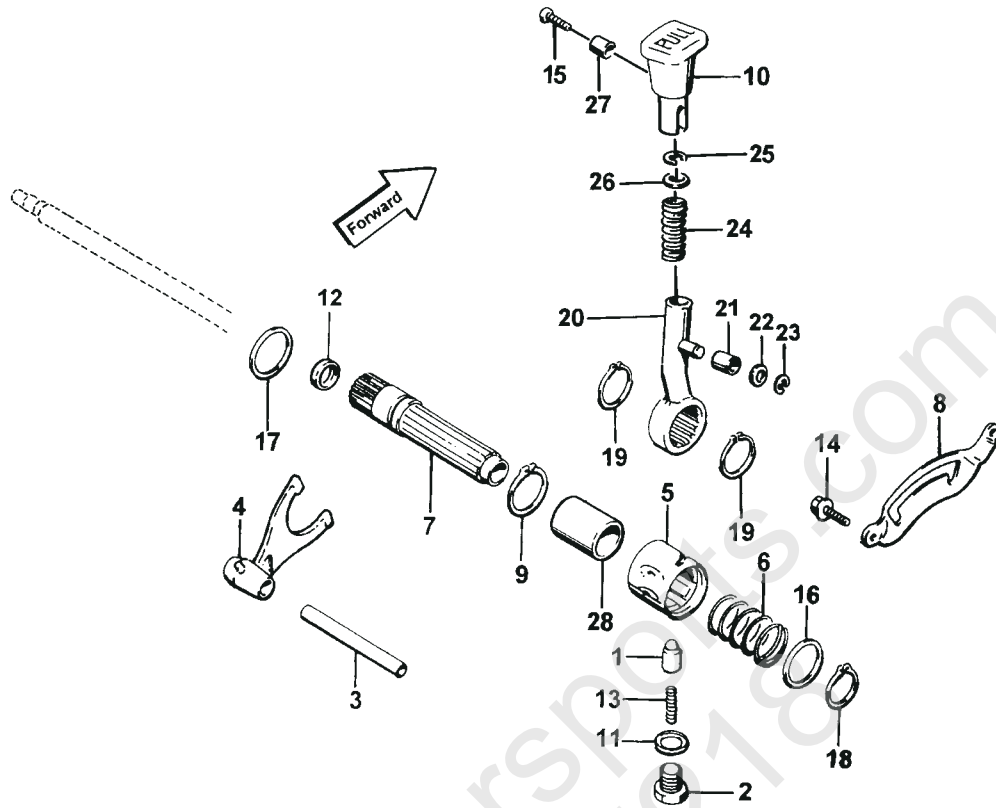
Ref.	Part No.	Qty.	Description	Ref.	Part No.	Qty.	Description
1	3435-010	1	Joint Assembly, Rear Output (inc. 2-6)	10	3402-072	2	Seal, Oil
2	3435-066	1	●● Boot Set, Joint (inc. 3-6)	11	3435-003	1	Flange, Output Joint
3	3423-210	1	●● Ring, Snap	12	3423-028	2	Washer, Rear Output Flange
4	3423-211	1	●● Clamp	13	3423-025	1	Nut
5	3435-067	1	●● Boot	14	3402-062	1	Bearing, Roller
6	3423-212	1	●● Clamp	15	3423-072	1	C-Ring
7	3446-034	1	Gear, Secondary Driven Bevel	16	3004-552	2	Screw, Cap
8	3446-037	1	Shaft - Rear	17	3423-135	2	Retainer
9	3402-017	1	Shim, 25 x 34 x 0.6 mm	18	3423-136	1	Nut, Secondary Driven Gear
	3402-018	1	Shim, 25 x 34 x 0.65 mm	19	3423-137	1	Washer
	3402-019	1	Shim, 25 x 34 x 0.700 mm	20	8408-820	4	Screw, Cap
	3402-020	1	Shim, 25 x 34 x 0.75 mm				
	3402-021	1	Shim, 25 x 34 x 0.80 mm				
	3402-022	1	Shim, 25 x 34 x 0.85 mm				
	3402-023	1	Shim, 25 x 34 x 0.90 mm				
	3402-024	1	Shim, 25 x 34 x 0.95 mm				
	3402-025	1	Shim, 25 x 34 x 1 mm				
	3402-028	1	Shim, 25 x 34 x 1.05 mm				
	3402-029	1	Shim, 25 x 34 x 1.10 mm				
	3402-030	1	Shim, 25 x 34 x 1.15 mm				
	3402-031	1	Shim, 25 x 34 x 1.20 mm				



## GEAR SHIFTING ASSEMBLY

0732-316

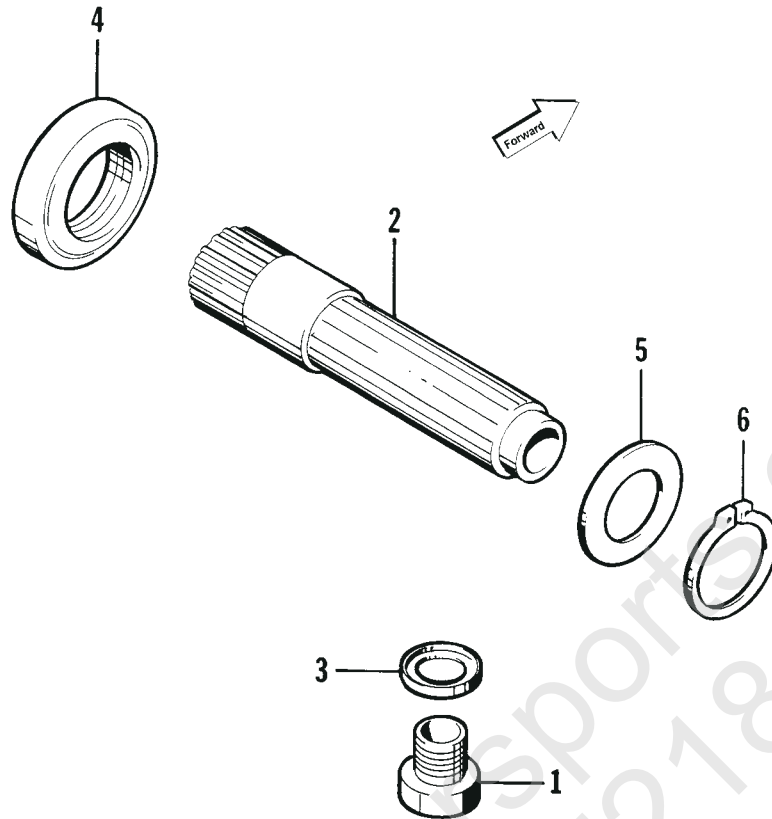
Ref.	Part No.	Qty.	Description	Ref.	Part No.	Qty.	Description
1	3446-038	2	Fork, (No. 2)	23	3423-142	1	Washer, Cam Stopper Arm
2	3446-039	1	Fork, (No. 3)	24	3004-488	1	Nut, Cam Stopper Arm Support
3	3446-040	1	Fork, Reverse	25	3446-053	1	Shaft, Gear Shift
4	3446-052	2	Shaft, Gear Shift Fork	26	3446-054	1	Spacer, Gear Shift Shaft
5	3446-041	1	Cam, Gear Shift (inc. 6)	27	3446-056	1	Stopper, Gear Shift Arm
6	3423-114	1	● Pin, Gear Shift	28	3402-068	1	Seal, Gear Shift Shaft Oil
7	3446-042	1	Cam, Reverse Shift	29	3402-076	1	Seal, Reverse Shift Oil
8	3446-049	1	Plate, Gear Shift Cam	30	3402-094	1	Spring, Gear Shift Return
9	3446-050	1	Guide, Gear Shift Cam Plate	31	3446-055	1	Arm, Reverse Gear Shift
10	3402-014	1	Spacer, Reverse Shift Cam	32	3423-204	1	Washer, Gear Shift Cable Arm
11	3402-051	1	Bearing, Gear Shift Cam	33	3423-168	1	E-Ring, Gear Shift Cable Arm
12	3423-125	1	Bolt, Clutch Release Arm	34	3423-166	2	Screw, Cap
13	3004-552	2	Screw, Cam Bearing Retainer	35	3530-007	1	Base Assembly (4X4)
14	3423-135	2	Retainer, Bearing		3430-015	1	Base Assembly (2X4)
15	3446-043	1	Stopper, Gear Shift Cam	36	3423-044	1	Contact, Neutral
16	3446-117	1	Stopper, Reverse Shift Cam	37	3423-059	1	O-Ring, Neutral
17	3446-046	1	Housing, Reverse Cam Stopper	38	3004-787	1	Clamp
18	3446-047	1	Spring, Shift Cam Stopper Arm	39	3004-761	1	Clamp
19	3446-048	1	Support, Shift Cam Stopper	40	3402-087	1	Spring
20	3402-012	1	Gasket, Cam Stopper Housing	41	3402-008	1	Hub, Gear Shift
21	3402-088	1	Spring, Reverse Cam Stopper	42	3402-093	1	Spring, Gear Shift
22	3423-141	1	Washer, Gear Shift Cam	43	0706-990	AR	Tape, Foil



## HI/LOW SHIFTER ASSEMBLY

0732-317

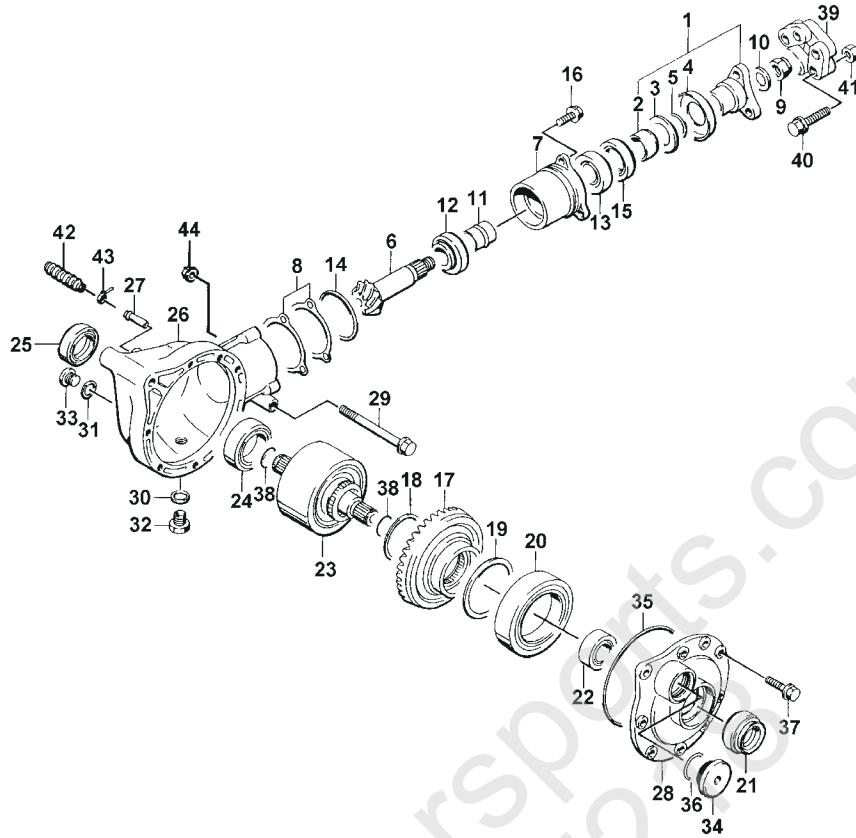
Ref.	Part No.	Qty.	Description	Ref.	Part No.	Qty.	Description
1	3446-119	1	Stopper, Shift Cam	15	3423-156	1	Screw, Shift Knob
2	3446-046	1	Housing, Shift Stop	16	3423-157	1	Washer, Cam Stop
3	3446-051	1	Shaft, Fork	17	3423-158	1	Washer, Shaft - Left
4	3446-073	1	Fork, Shift	18	3423-191	1	Circlip, Cam Spring
5	3446-074	1	Cam, Shift	19	3423-192	2	Circlip, Shift Lever
6	3446-075	1	Spring	20	3446-079	1	Lever, Shift - Assembly (inc. 21-26)
7	3446-076	1	Shaft, Shift	21	3446-106	1	• Collar
8	3446-077	1	Plate, Lever Stop	22	3423-152	1	• Washer
9	3423-193	1	Circlip, Shaft - Left	23	3423-153	1	• E-Clip
10	3446-078	1	Knob	24	3402-091	1	• Spring
11	3402-012	1	Gasket, Cam Stop	25	3423-154	1	• Circlip
12	3402-071	1	Seal, Oil	26	3423-155	1	• Washer
13	3446-113	1	Spring	27	3402-191	1	Spacer
14	3004-377	2	Bolt, Stopper Plate	28	3446-112	1	Spacer Set



### SHIFTER ASSEMBLY

0732-938

Ref.	Part No.	Qty.	Description	Ref.	Part No.	Qty.	Description
1	3446-046	1	Housing, Shift Stop	4	3402-071	1	Seal, Oil
2	3446-076	1	Shaft, Shift	5	3423-158	1	Washer, Shaft - Left
3	3402-012	1	Gasket, Cam Stop	6	3423-193	1	Circlip, Shaft - Left



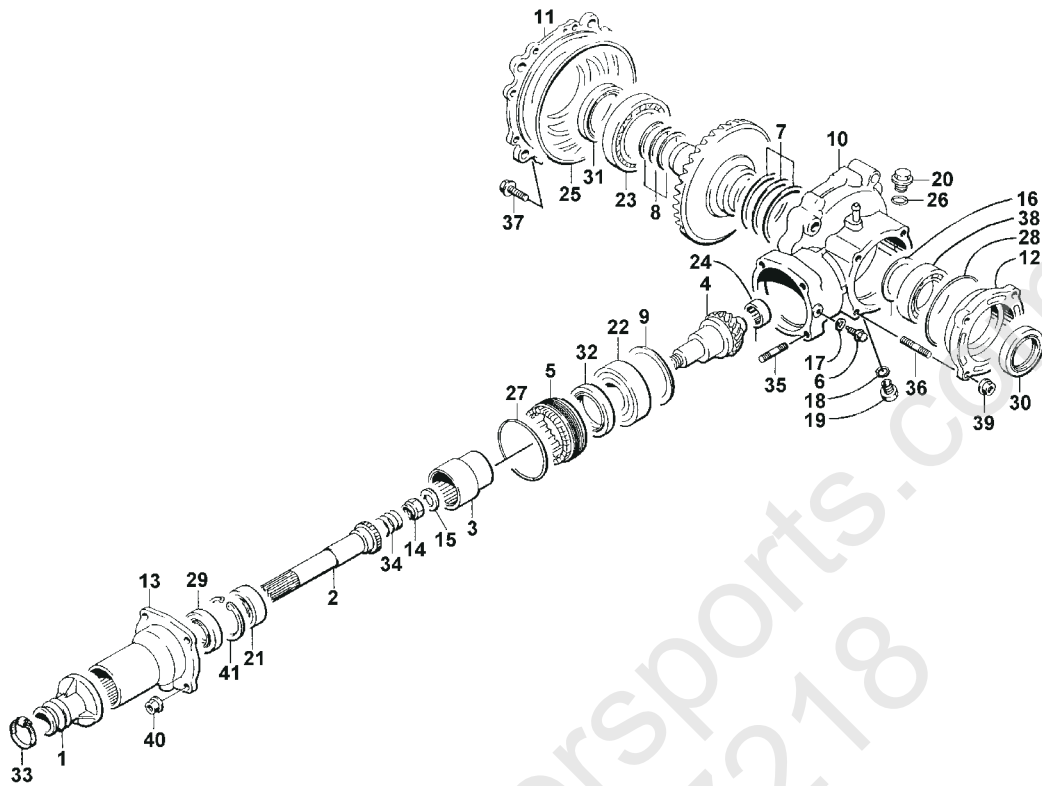
## FRONT BEVEL GEAR ASSEMBLY

Complete Assembly p/n 3402-004

0733-412\*Not Included in Assembly

Ref.	Part No.	Qty.	Description	Ref.	Part No.	Qty.	Description
1	3435-009	1	Flange, Gear (inc. 2-5) *	23	3435-013	1	Differential - Assembly
2	3435-029	1	• Collar, Gear *	24	3402-057	1	Bearing, Differential Case - Right
3	3435-030	1	• Plate, Oil Seal*	25	3402-072	1	Seal, Output Oil
4	3423-034	1	• Plate, Gear *	26	3435-024	1	Housing (inc. 27)
5	3423-060	1	• O-Ring, Collar *	27	3402-084	1	• Union, Breather
6	3435-014	1	Gear, Bevel	28	3435-025	1	Case, Bearing
7	3435-021	1	Housing, Bevel Gear	29	3423-010	2	Bolt, Mounting
8	3435-022	1	Shim Set, Housing	30	3402-012	1	Gasket, Oil Drain Plug
9	3423-178	1	Nut, Gear *	31	3402-013	1	Gasket, Oil Filler Plug
10	3423-028	1	Washer, Bevel Gear *	32	3402-036	1	Plug, Oil Drain
11	3402-016	1	Spacer, Bevel Gear	33	3402-041	1	Plug, Oil Filler
12	3402-066	1	Bearing	34	3402-197	1	Plug
13	3402-065	1	Bearing	35	3423-050	1	O-Ring
14	3423-064	1	O-Ring	36	3423-061	1	O-Ring
15	3402-072	1	Seal, Joint	37	3423-175	8	Screw, Cap
16	3423-175	1	Bolt, Housing	38	3423-070	2	Ring, Driveshaft - Front
17	3435-018	1	Gear	39	3435-007	1	Coupling, Propeller Shaft *
18	3435-017	1	Shim Set	40	3423-182	6	Screw, Cap *
19	3435-020	1	Shim Set	41	3004-491	6	Nut *
20	3402-059	1	Bearing	42	0402-147	1	Bladder, Case *
21	3402-072	1	Seal - Left	43	0123-811	1	Tie, Cable *
22	3402-185	1	Bearing - Left	44	8428-002	1	Nut, Lock



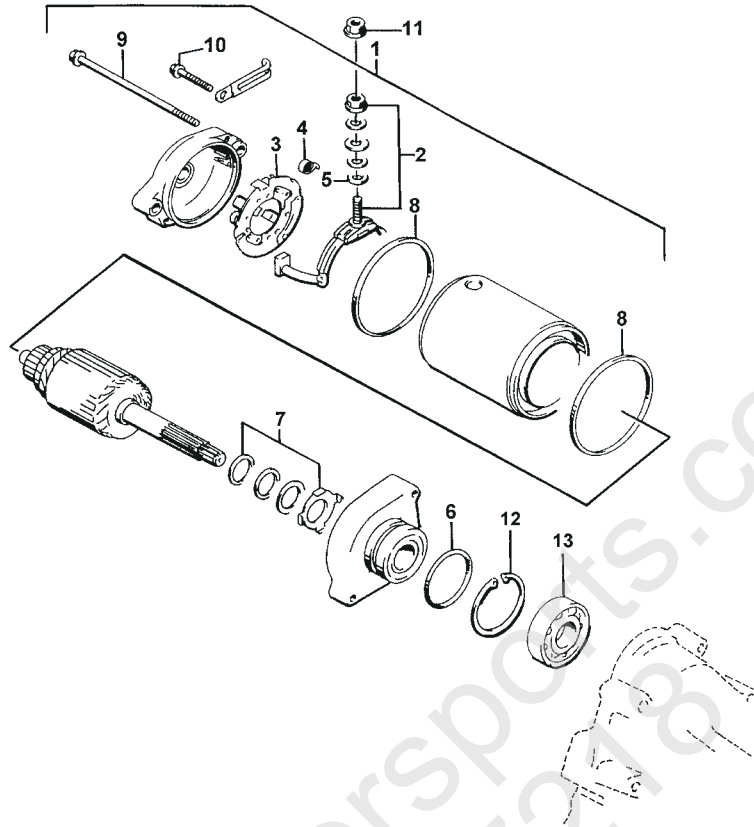


## REAR BEVEL GEAR ASSEMBLY

0732-319

Complete Assembly p/n 3402-005

Ref.	Part No.	Qty.	Description	Ref.	Part No.	Qty.	Description
1	3435-051	1	Boot, Final Drive	22	3402-056	1	Bearing
2	3435-006	1	Shaft, Rear Final	23	3402-059	1	Bearing - Right
3	3435-008	1	Coupling, Rear	24	3402-061	1	Bearing, Final Drive Pilot
4	3435-012	1	Gear Set	25	3423-173	1	O-Ring, Bearing Case - Right
5	3435-015	1	Stopper, Rear Final	26	3423-057	1	O-Ring, Gear Oil Filler
6	3435-016	1	Pin, Bearing Stopper	27	3423-065	1	O-Ring, Final Bearing Stopper
7	3435-019	1	Shim Set	28	3003-335	1	O-Ring, Bearing Case - Left
8	3435-020	1	Shim Set	29	3435-048	1	Seal, Final Driven
9	3436-065	1	Shim Set	30	3402-073	1	Seal, Oil
10	3435-023	1	Case	31	3402-074	1	Seal, Oil
11	3435-026	1	Case - Right	32	3402-075	1	Seal, Oil
12	3435-027	1	Case - Left	33	3004-786	1	Clamp - Right
13	3435-028	1	Housing	34	3402-092	1	Spring
14	3423-025	1	Nut, Rear Drive Pinion	35	3004-279	4	Stud, Bolt
15	3423-029	1	Washer, Drive Nut	36	3004-301	2	Stud, Bolt - Left
16	3423-171	1	Washer - Left	37	3423-175	9	Bolt, Bearing - Right
17	3003-290	1	Gasket, Bearing Stopper Pin	38	3402-187	1	Bearing - Left
18	3402-012	1	Gasket, Oil Drain Plug	39	3004-326	2	Nut
19	3402-036	1	Plug, Oil Drain	40	3423-206	4	Nut, Rear Final Housing
20	3402-039	1	Plug, Gear Oil Filler	41	3423-194	1	Circlip Set
21	3402-052	1	Bearing				

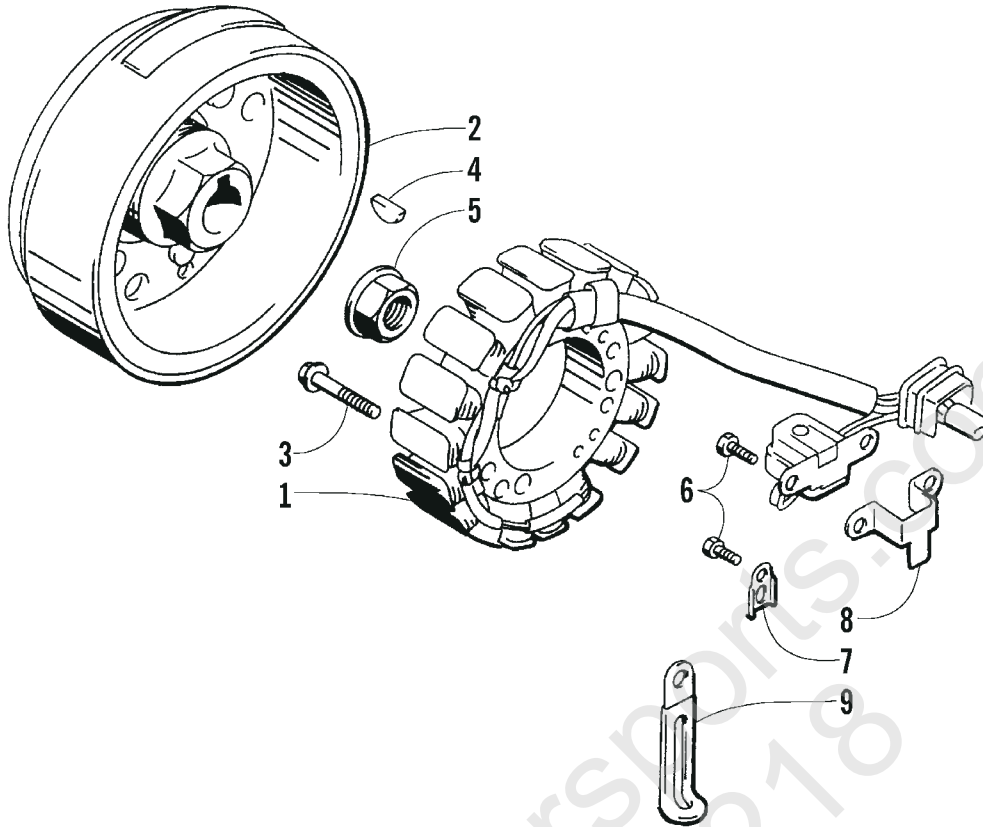


## STARTER MOTOR ASSEMBLY

0732-320

Ref.	Part No.	Qty.	Description	Ref.	Part No.	Qty.	Description
1	3545-001	1	Motor, Starter Assembly (inc. 2-9)	8	3008-101	2	● O-Ring
2	3008-094	1	● Terminal Set, Brush	9	3423-085	2	● Screw, Cap
3	3008-095	1	● Holder Set, Brush	10	3423-162	2	Screw, Cap
4	3008-096	4	● Spring, Brush	11	3423-195	1	Nut
5	3008-164	1	● O-Ring	12	3423-201	1	Circlip
6	3423-084	1	● O-Ring	13	3402-043	1	Bearing, Pinion Shaft
7	3436-001	1	● Washer Set				

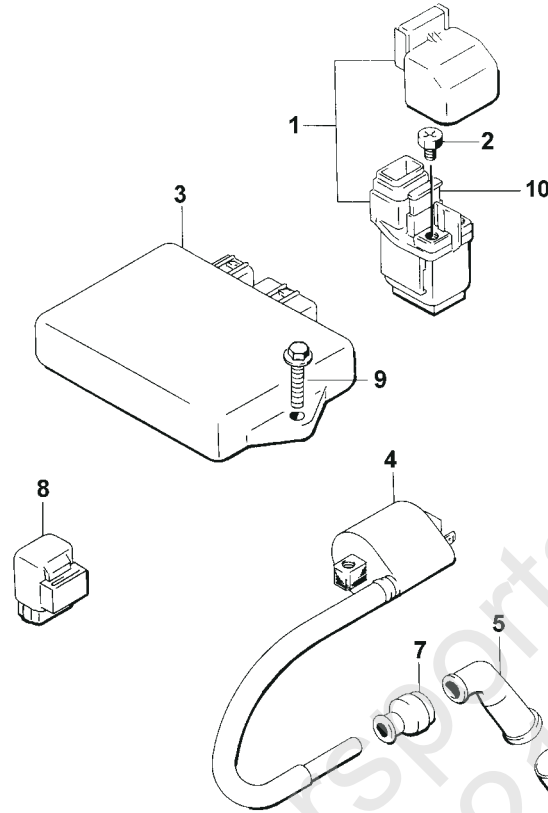
454 4x4  
454 2x4



## MAGNETO ASSEMBLY

0732-321

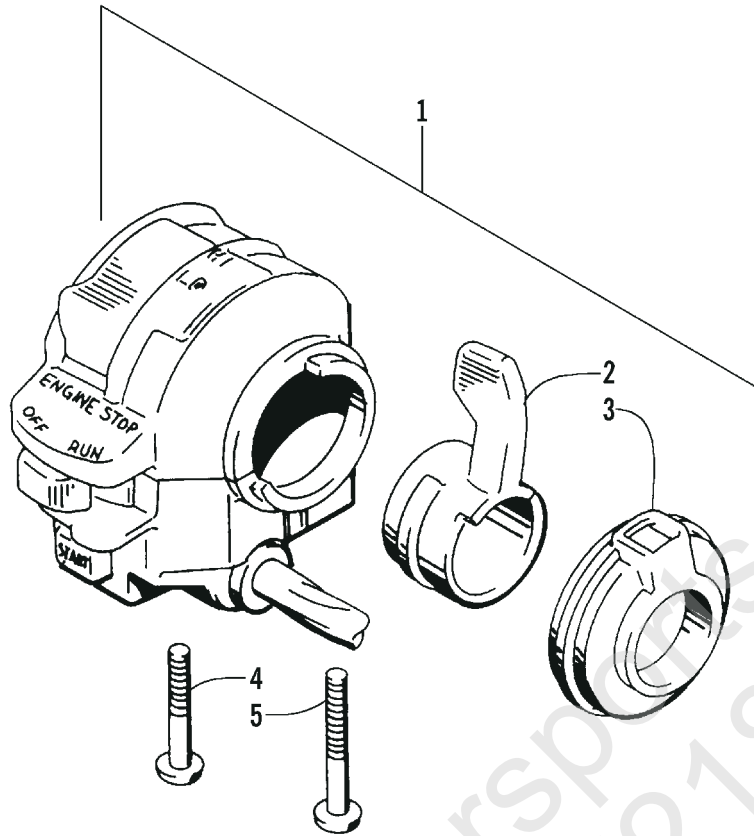
Ref.	Part No.	Qty.	Description	Ref.	Part No.	Qty.	Description
1	3430-011	1	Stator - Assembly	6	3423-005	3	Screw, Cap
2	3430-012	1	Rotor	7	3430-005	1	Clamp, Magneto (No. 1)
3	3423-162	3	Bolt, Magneto	8	3430-006	1	Clamp, Magneto (No. 2)
4	0691-785	1	Key, Magneto	9	3004-761	1	Clamp, Magneto (No. 3) (2X4)
5	3423-086	1	Nut, Magneto				



## ELECTRICAL COMPONENTS ASSEMBLY

0732-322

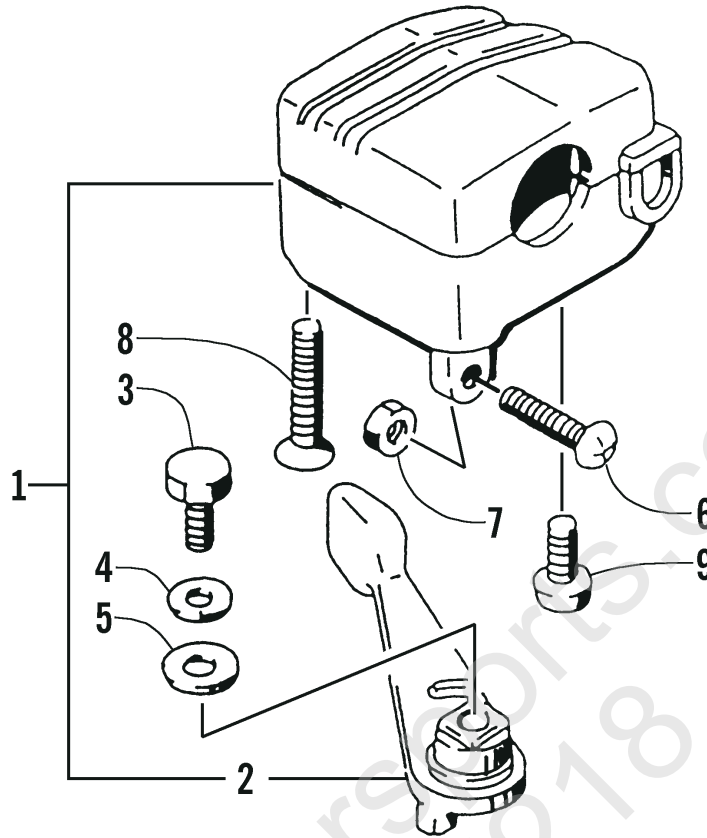
Ref.	Part No.	Qty.	Description	Ref.	Part No.	Qty.	Description
1	3530-001	1	Relay, Starter Motor - Assembly	6	3430-008	1	Seal, Spark Plug
2	3423-020	2	Screw, Cap	7	3430-009	1	Seal, High Tension Cord
3	3530-003	1	CDI Unit (4X4)	8	3530-008	1	Relay, Neutral Start - Assembly
	3430-014	1	CDI Unit (2X4)	9	8476-616	2	Screw, Cap
4	3530-004	1	Coil, Ignition - Assembly	10	0630-098	1	Fuse, 30 Amp
5	3430-007	1	Cap, Spark Plug				



## CONTROL SWITCH HOUSING ASSEMBLY

0732-323

Ref.	Part No.	Qty.	Description	Ref.	Part No.	Qty.	Description
1	3509-001	1	Switch, Handle - Assembly (inc. 2-5)	4	3423-196	1	• Screw, Cap
2	3409-009	1	• Lever, Choke	5	3423-197	1	• Screw, Cap
3	3409-010	1	• Cover, Choke				



## THROTTLE CASE ASSEMBLY

0732-324

Ref.	Part No.	Qty.	Description	Ref.	Part No.	Qty.	Description
1	3509-002	1	Case, Throttle - Assembly (inc. 2-9)	6	3423-014	1	• Screw, Cap
2	3409-001	1	• Lever	7	3423-198	1	• Nut
3	3004-533	1	• Screw, Cap	8	3423-199	2	• Screw, Cap
4	3004-447	1	• Washer, Lock	9	3004-638	1	• Screw, Cap
5	3003-030	1	• Washer				

# Related Items

Model No. 99A4E-AP & 99 A4G-AP

0436-016	Accessory Plug Kit (2x4)	0436-079	Mounting Bracket, Portable Lights (2x4)
0436-012	Bag, Rack Utility — Rear	0436-080	Mounting Plate, Winch (2x4)
0436-013	Bag, Rack Utility — Front	0436-050	Mounting Bracket, Gun Scabbard (4x4)
0436-086	Battery, Heavy Duty	0436-015	Mud Flap Kit — Rear (2x4)
0436-115	Blade, 50 in. Snow Plow (4x4)	0436-093	Mud Flap Kit — Front
0436-113	Boot Repair Kit - Inner (4x4)	0436-107	Plow Mounting Kit, Mechanical Lift (4x4)
0436-114	Boot Repair Kit - Outer (4x4)	0436-116	Plow Mounting Kit w/Handle (4x4)
0436-075	Bumper, Front (2x4-Requires Kit p/n 0436-073)	0217-711	Plug, Spark - CR8EK
0436-011	Cover, Camo	0436-040	Portable Light, Spot
0436-010	Cover, Black and Green	0436-039	Portable Light, Work
0436-138	Decal Kit - French (2x4)	0436-100	Protectors, CV Joint (4x4)
0436-137	Decal Kit - French (4x4)	0436-074	Rack, Deluxe — Rear (2x4)
0436-035	Engine Block Heater	0436-073	Rack, Deluxe — Front (2x4-Requires Kit p/n 0436-075)
0436-005	Engine Oil, 10W-40	0436-014	Safety Flag
0436-077	Fender Flare Kit — Rear (2x4)	0436-078	Skid Plate (2x4)
0436-076	Fender Flare Kit — Front (2x4)	0436-102	Tie Down, Ratchet Style — Orange
3402-107	Gasket Set	0436-101	Tie Down, Ratchet Style — Black
0436-006	Gear Lube, 80W-90	0436-032	Tie Down, Black
0436-023	Gun Scabbard	0436-031	Tie Down, Green
0436-088	Hi/Low Range Kit (2x4)	0436-042	Tire Repair, Deluxe
2255-772	Manual, Illustrated Parts	0436-041	Tire Repair, Standard
2255-884	Manual, Operator's	0436-045	Tire Sealant
2255-808	Manual, Service (2x4)	0436-034	Tool Holder
2255-804	Manual, Service (4x4)	0436-082	Tool Box (2x4)
2255-804	Microfiche, Parts	0436-024	Winch Kit
0436-008	Mounting Plate, Winch (4x4)	0436-068	Winch Accessories Kit
0436-051	Mounting Bracket, Portable Lights (4x4)		
0436-081	Mounting Bracket, Gun Scabbard (2x4)		

