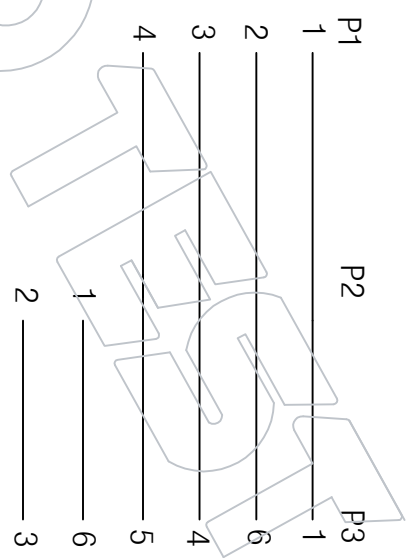


PIN ASSIGNMENT



LIST OF MATERIALS

ITEM	DESCRIPTION	Qty	ELECTRONIC TEST:
①	Cable:AWG24x6c. Jacket OD=Ø6.0 Black L=1.2m	1	1.100% OPEN&SHORT TESTING
②	Kawasaki 4p F Housing:PA66,black;Pins: chrome plated	1	2.CONTACT RESISTANCE:1 OHM
③	Kawasaki 4p Plug:External moulding PVC 45P;Internal moulding-low heat PE45P material	1	3.INSULATION RESISTANCE:20M OHM
④	Kawasaki 2p F Housing:PA66,black;Pins: chrome plated	1	4.DIELECTRONIC STRENGTH:300VDC/10MS
⑤	Kawasaki 6p F Housing:PA66,black;Pins: chrome plated	1	
⑥	Tube:moulded PVC, black; label: two sides,white	1	
⑦	Strain Relief:External moulding PVC 45P;Internal moulding low heat PE45P material	1	

AUTO TEST AID

Kawasaki 4p to 2P & 6P Cable

TITLE	SIZE	DWG NO	REV
Kawasaki 4p to 2P & 6P Cable	A	90890-06893	00
NOT TO SCALE			SHEET 1 OF 1