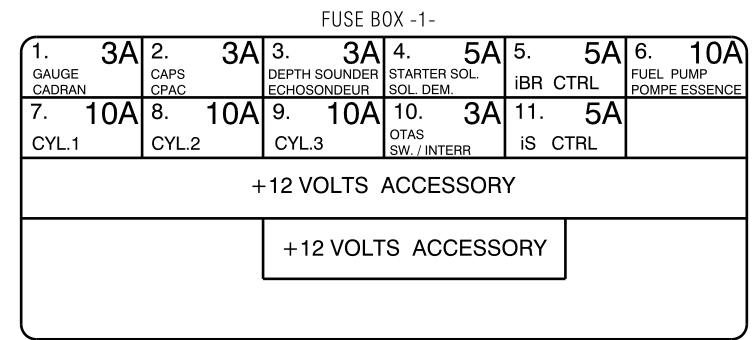
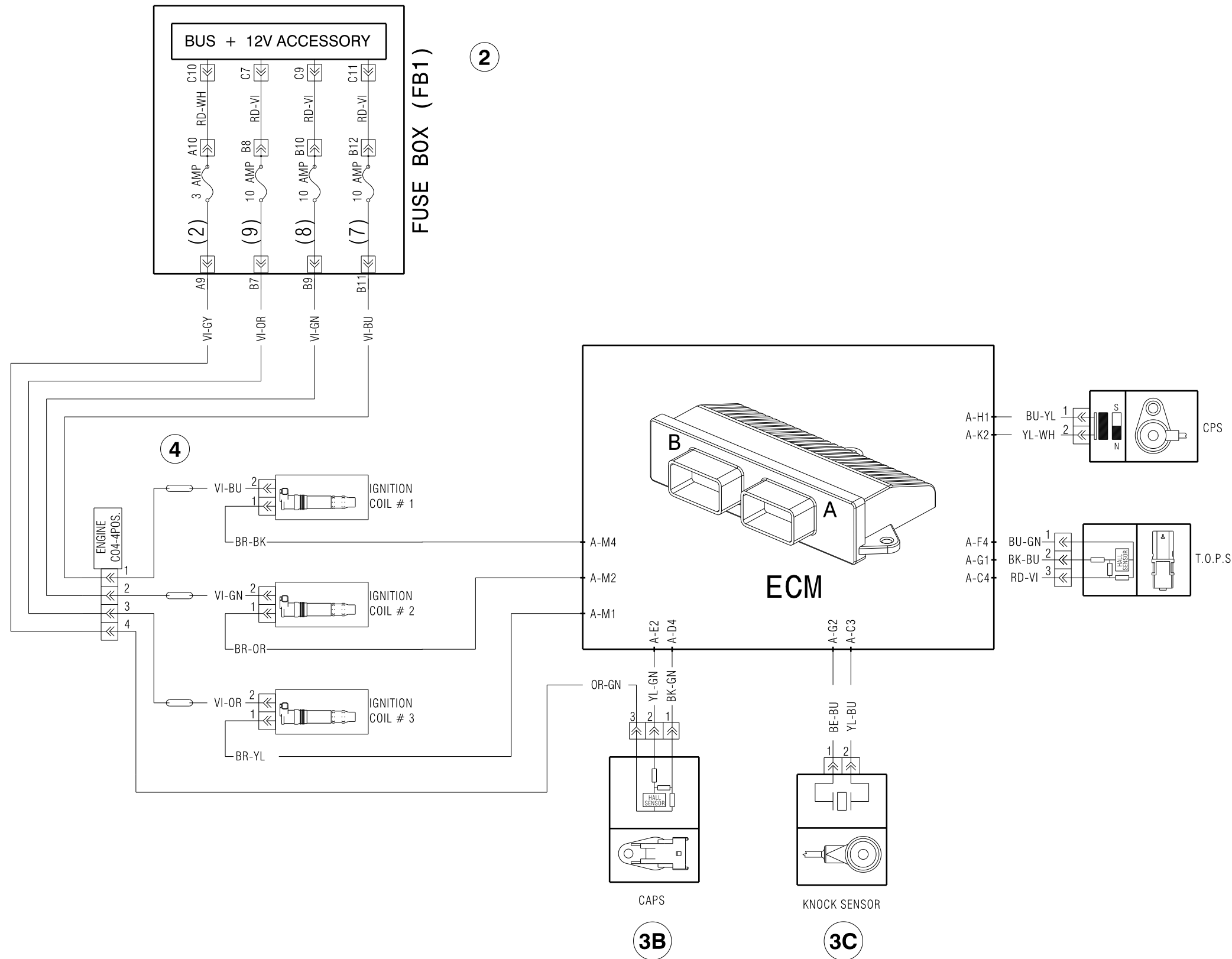


2009 SEA-DOO
4-TEC-iTC IS SERIES

| COLOR TABLE | |
|-------------|-------------|
| WH = WHITE | BK = BLACK |
| RD = RED | YL = YELLOW |
| VI = VIOLET | BE = TAN |
| GN = GREEN | BR = BROWN |
| GY = GREY | BU = BLUE |
| PK = PINK | OR = ORANGE |



IGNITION SYSTEM

OPERATION:

- 1- T.O.P.S. IN OPERATION (VEHICLE UPRIGHT)
- 2- FUSES 2, 7, 8, AND 9 ARE GOOD
- 3- SIGNALS FROM SENSORS MONITORED BY ECM
- 4- SPARK OCCURS WHEN PRIMARY WINDING IS SWITCHED TO GROUND BY ECM.