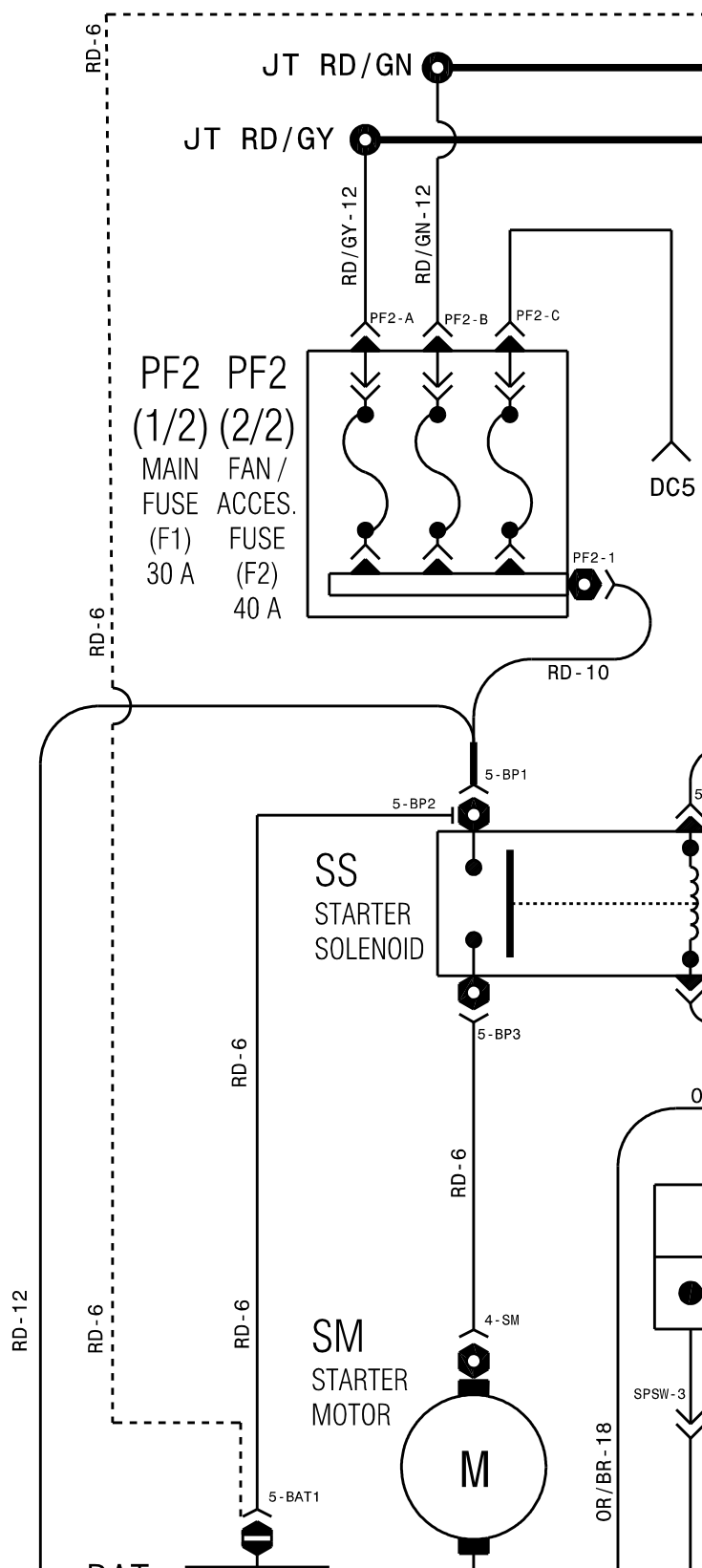
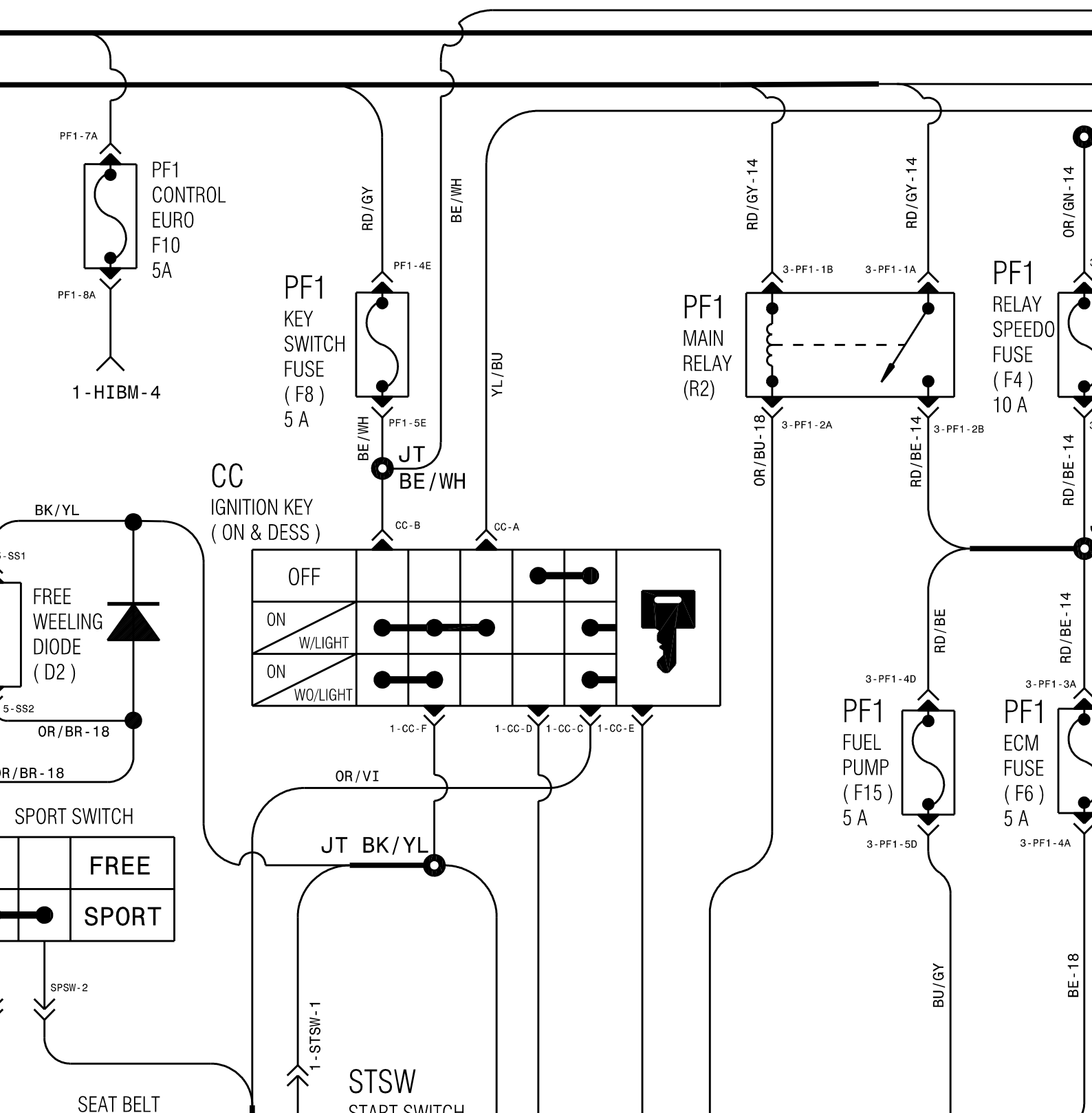


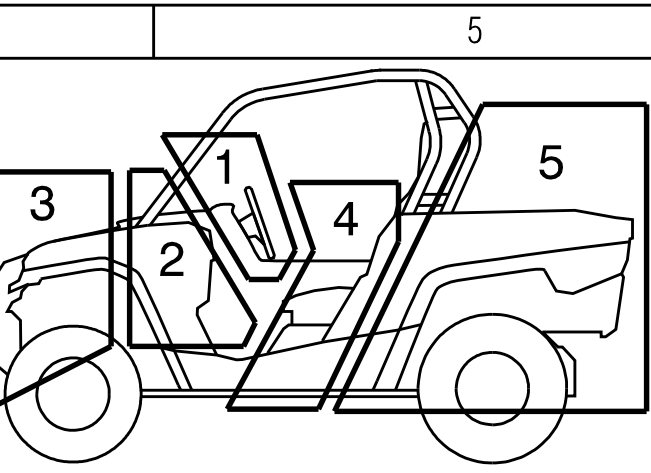
1  
COMMANDER 2011

# GENERAL

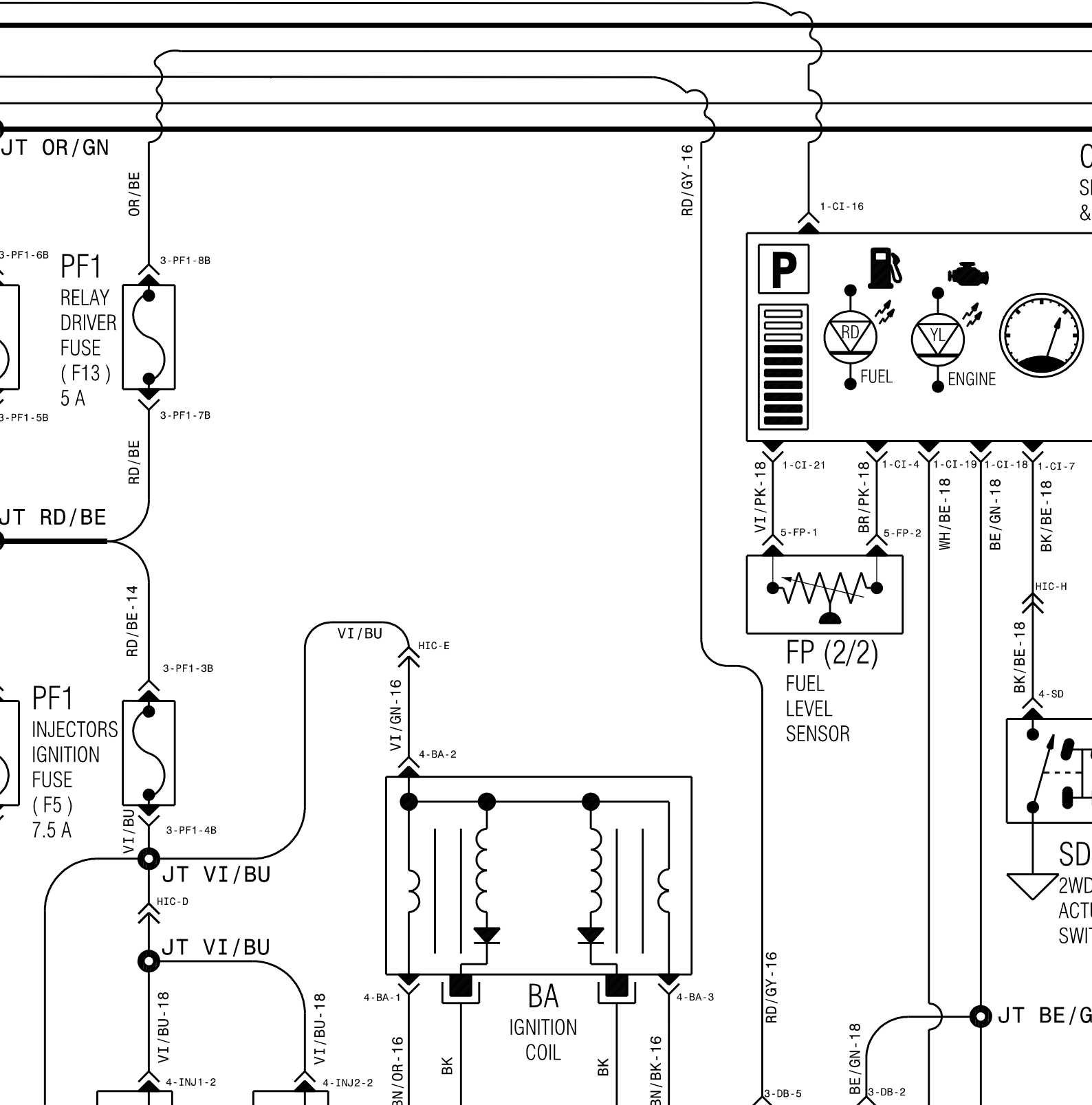


# SYSTEM





TERMINAL IDENTIFICATION				
	NAME	ZONE-CONNECTOR NAME-TERMINAL #/A		
EX:	CI	1 -	CI -	15
EX:	CV	4 -	CV -	A
EX:	ME	2 -	ME	



7

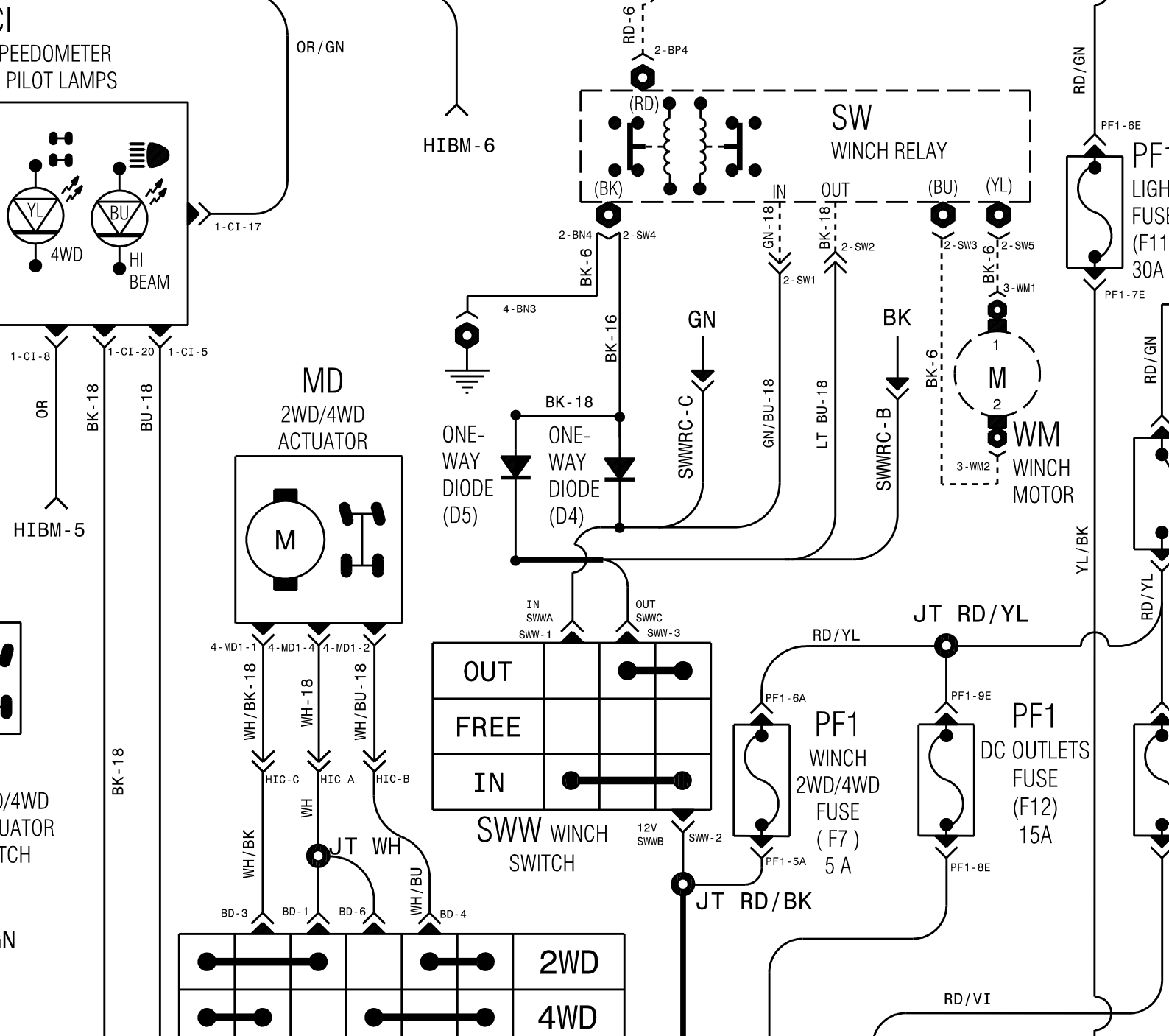
8

9

AWG	MAX. CURRENT	MAX. FUSE CURRENT	MAX. WATT
# 6	100 amps	125 amps	1450 watts
# 8	65 amps	80 amps	930 watts
# 10	40 amps	50 amps	580 watts
# 12	25 amps	30 amps	365 watts
# 14	16 amps	20 amps	230 watts
# 16	10 amps	15 amps	145 watts
# 18	6 amps	7.5 amps	85 watts
* AT	50°C MAX		

ZONE #	ZONE DESCRIPTION
1	STEERING AREA
2	MODULE AREA
3	FRONT OF VEHICLE
4	ENGINE AREA
5	REAR OF VEHICLE

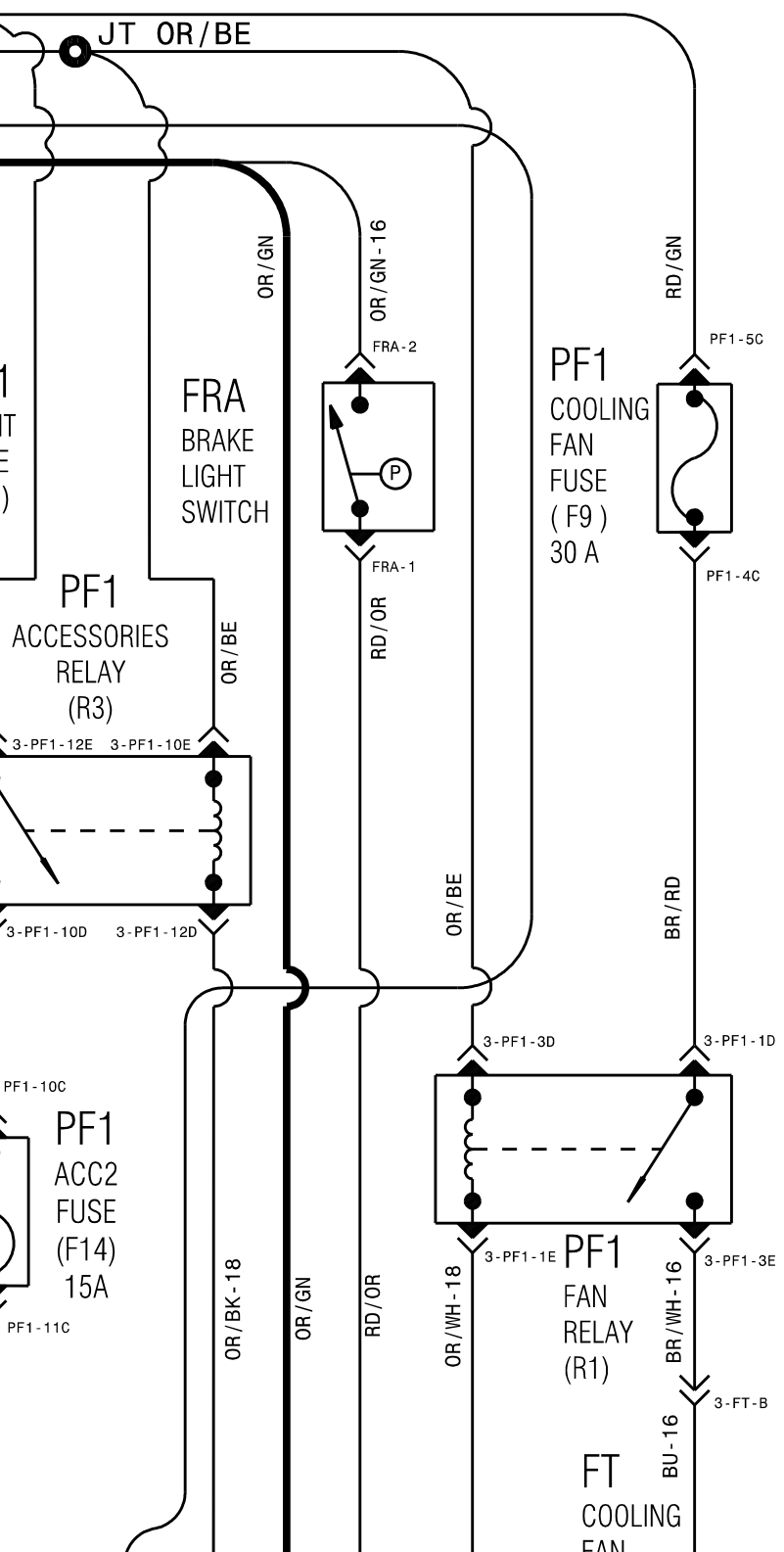
●	WELDED JOINT
—	SHRINKED TUBING
↷	CROSSED CONNECTION
—	WIRE BUS
—	SIMPLE CONNECTION
Y	FEMALE TERMINAL
→	MALE TERMINAL
—	STEEL LINK
—	TERMINAL



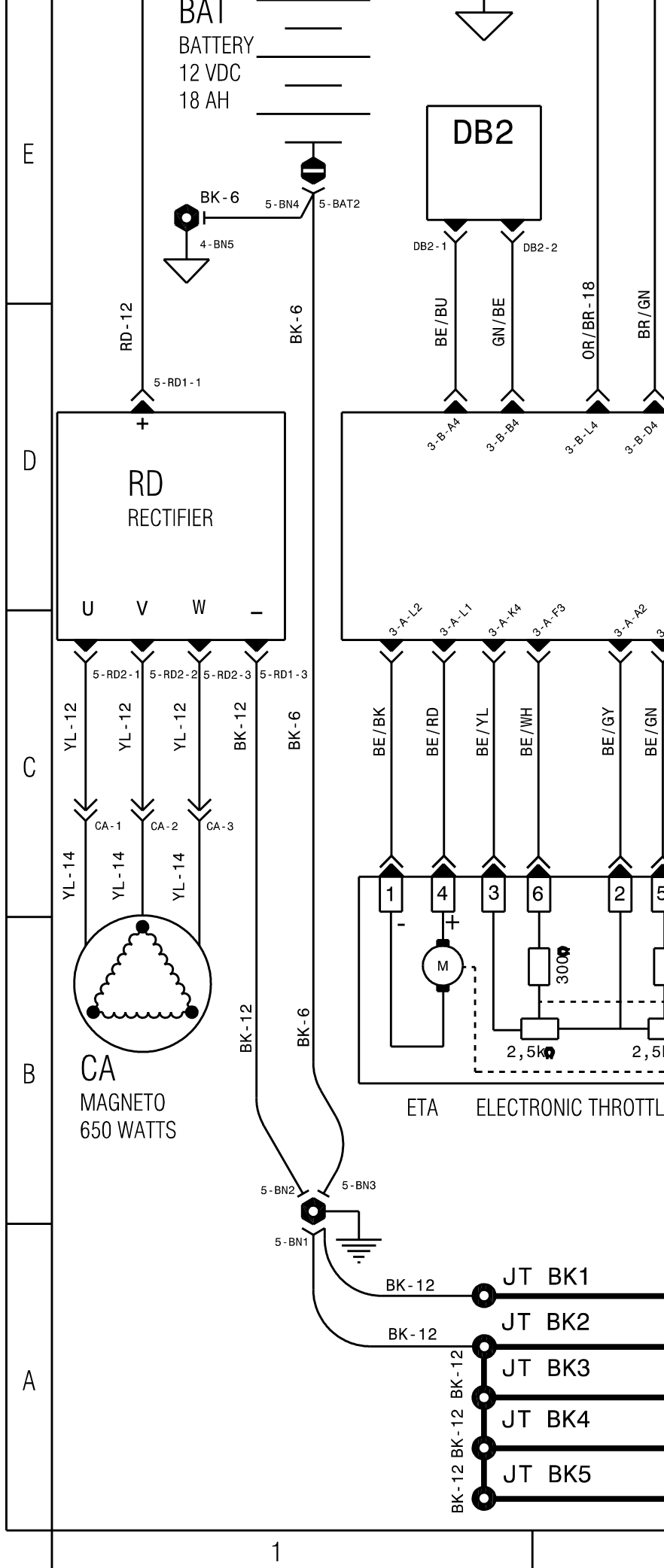
POINT
JOINT
WIRE
CONDUCTOR WIRE
TERMINAL
MINAL
(FRAME)

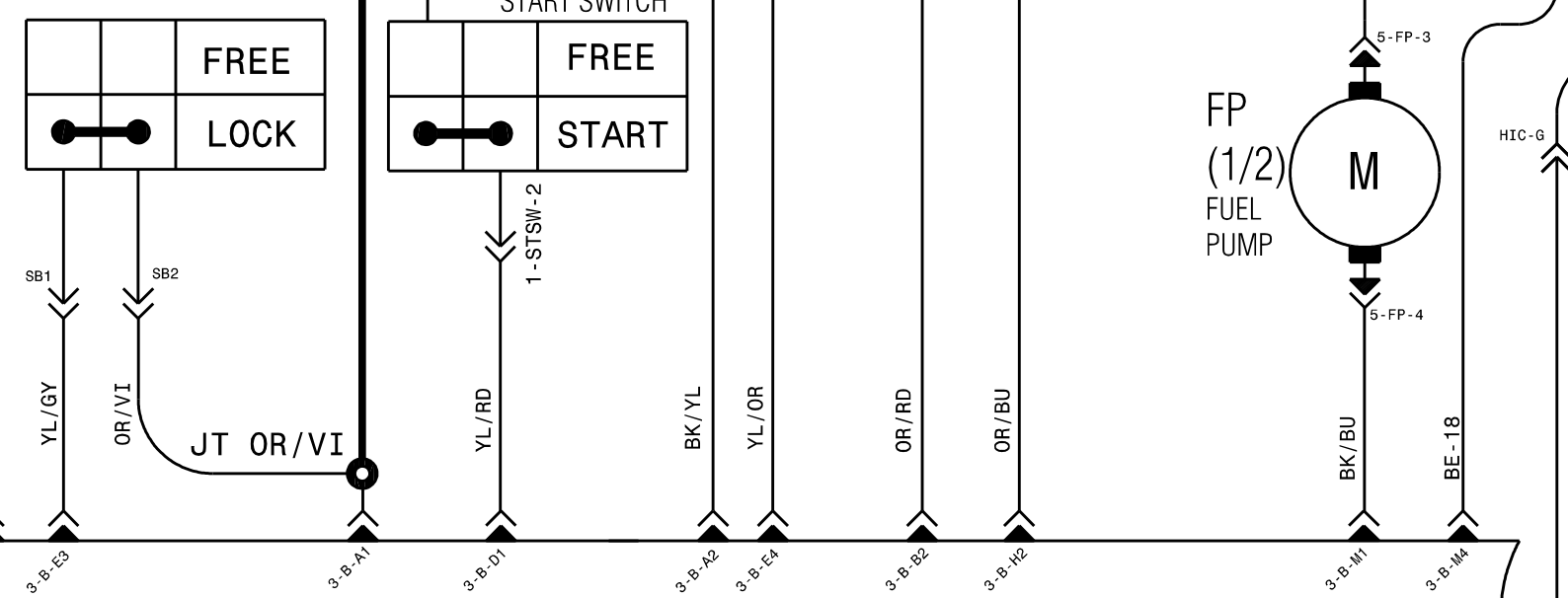
	FRAME GROUND
	ENGINE GROUND
	PHILLIPS SCREW
	NUT CONNECTION
	SPLICE CONNECTION
	COMPONENT CONNECTION
	SECTION OF MODULE
	SLOTTED SCREW
	OPTIONAL

COLOR CODE	
BE	BEIGE
BK	BLACK
BU	BLUE
BR	BROWN
GN	GREEN
GY	GREY
OR	ORANGE
RD	RED
VI	VIOLET
WH	WHITE
YL	YELLOW
PK	PINK
LT BU	LIGHT BLUE

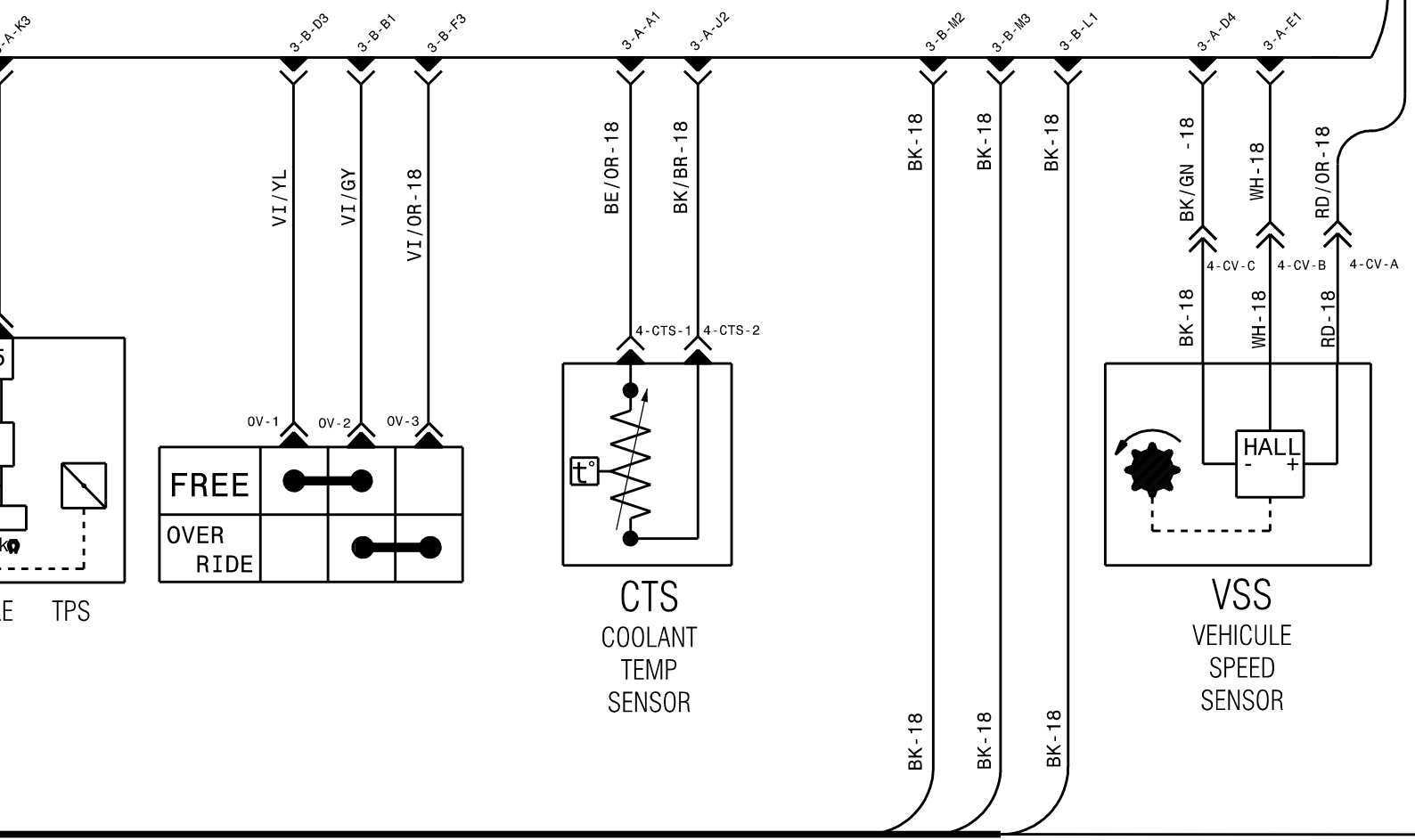


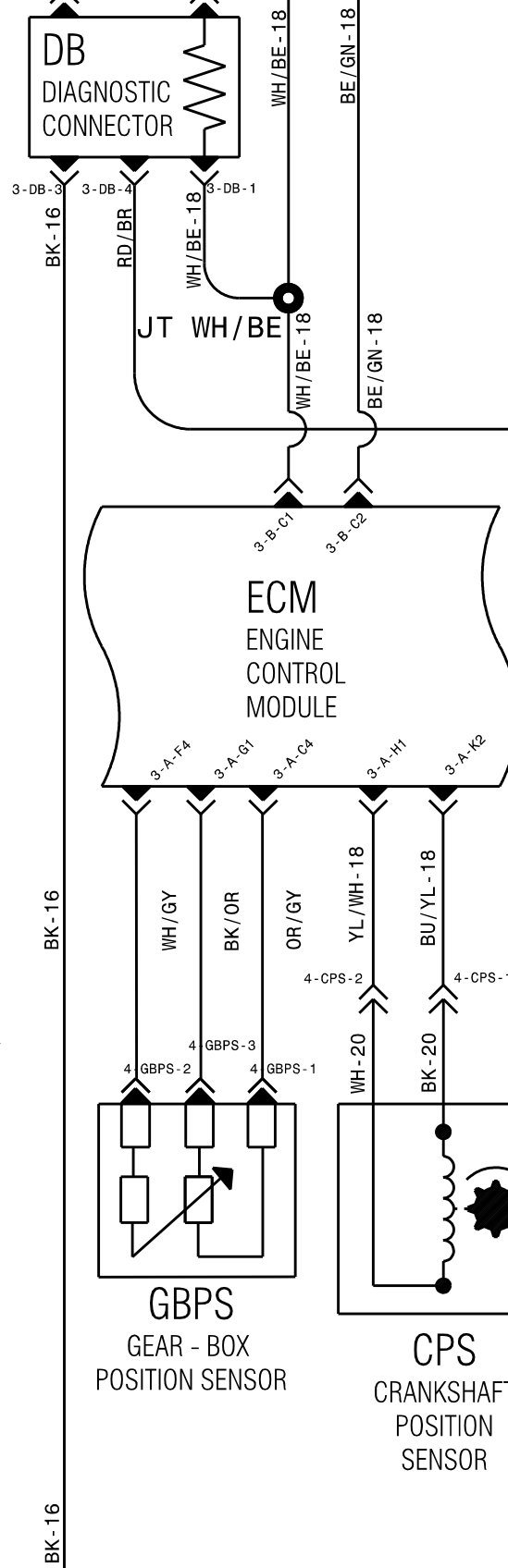
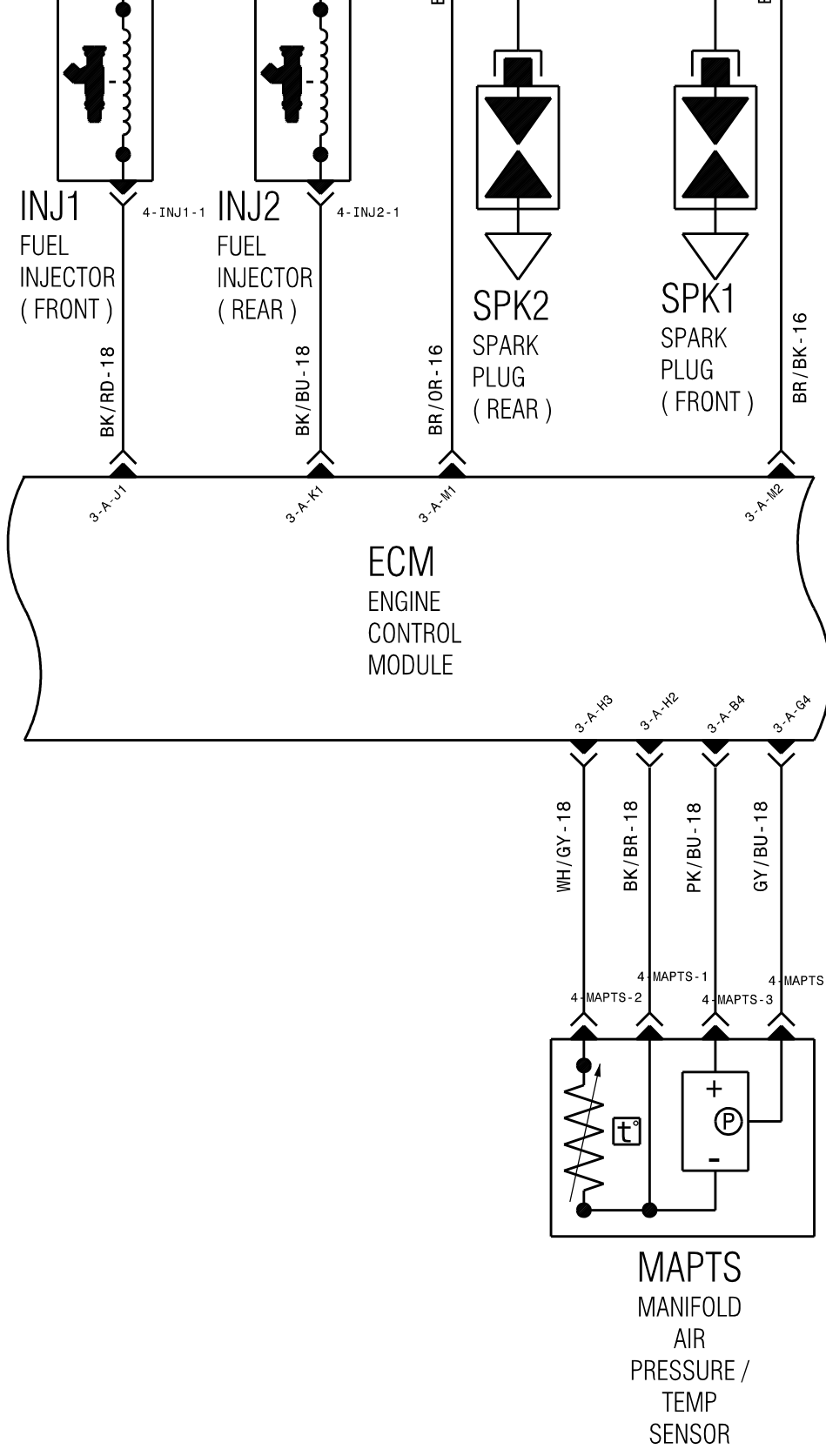
J  
I  
H  
G  
F



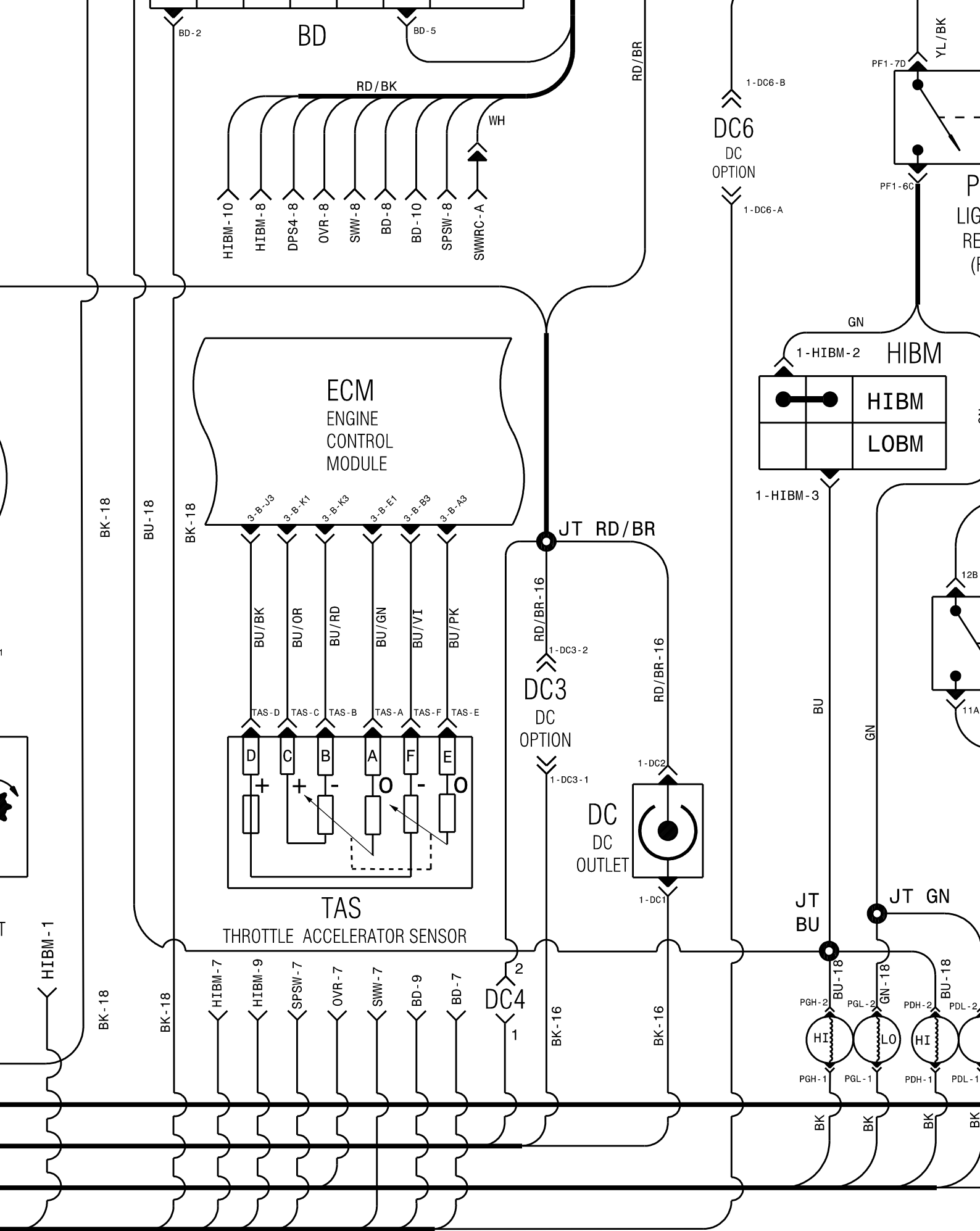


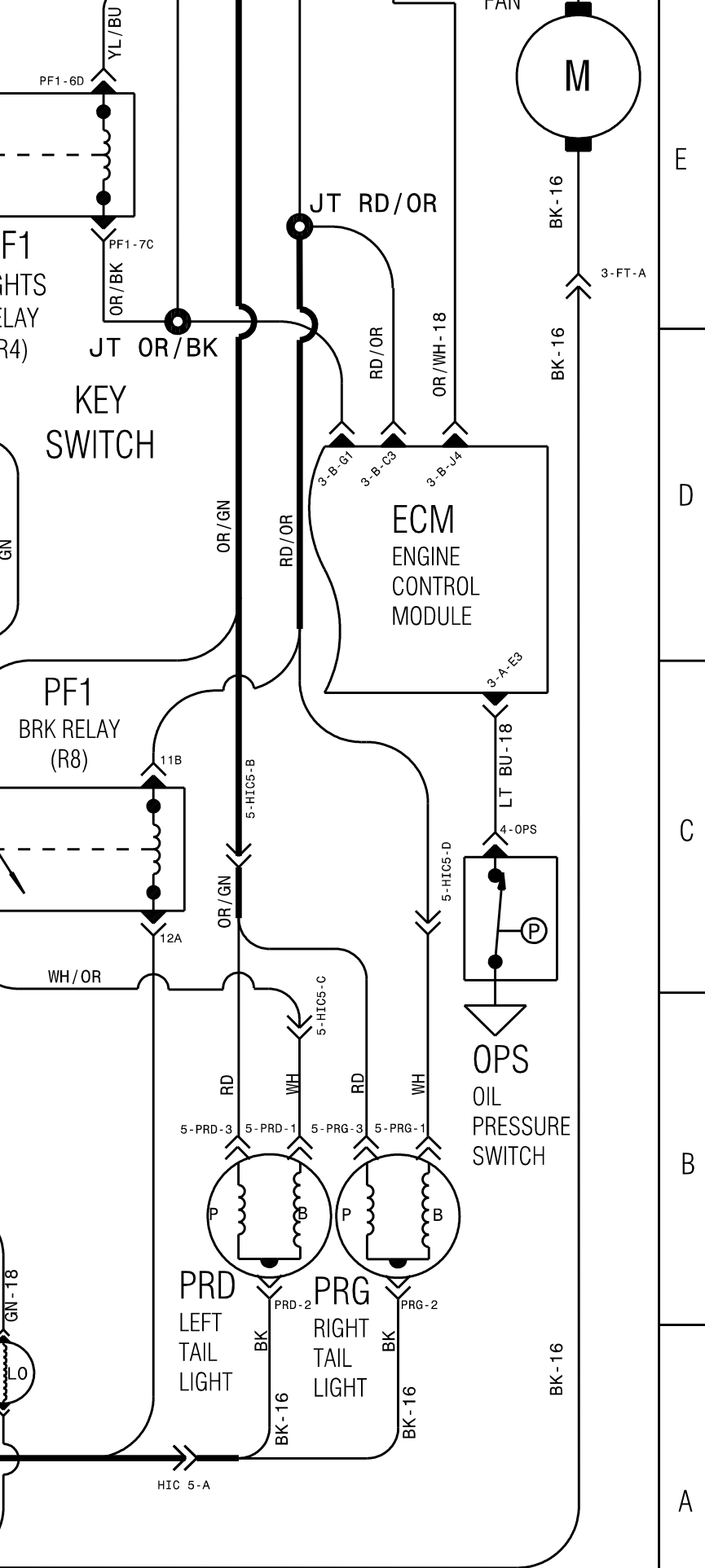
ECM  
ENGINE  
CONTROL  
MODULE











( 05 OCT 2010 )  
 (RÉF. BOSCH 2.5) 710001373F1