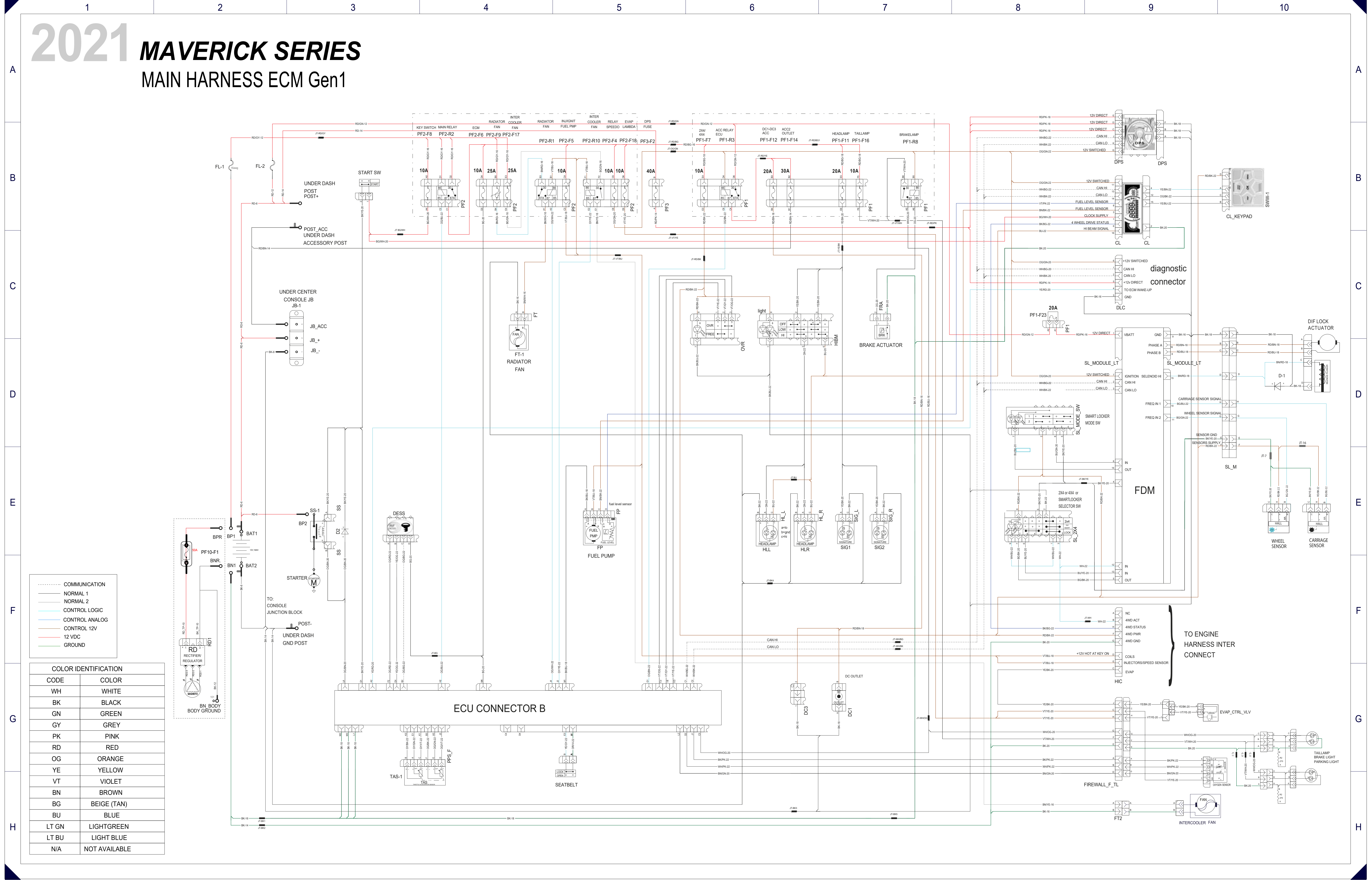


2021 MAVERICK SERIES

MAIN HARNESS ECM Gen1

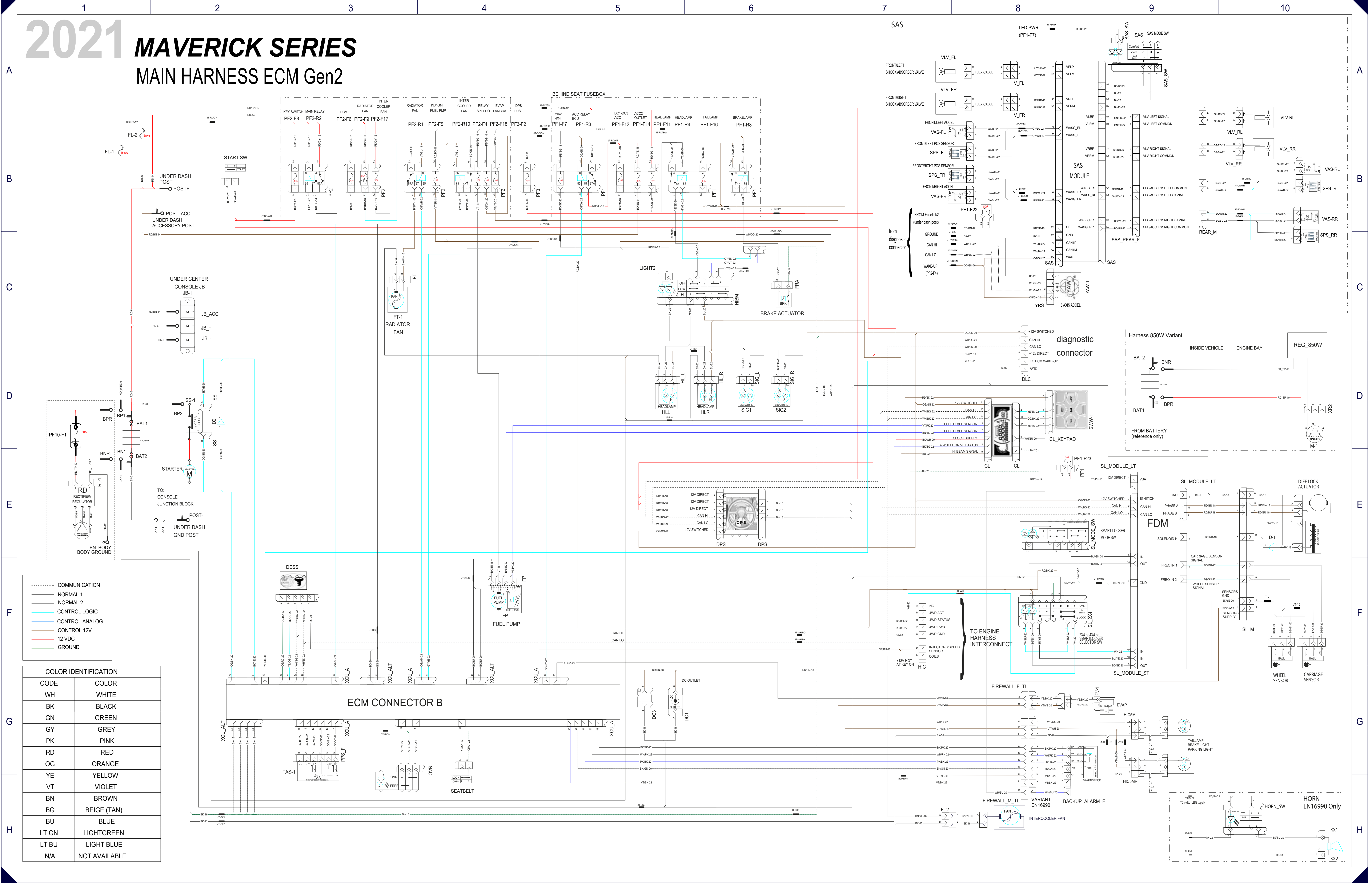


- COMMUNICATION
- NORMAL 1
- NORMAL 2
- CONTROL LOGIC
- CONTROL ANALOG
- CONTROL 12V
- 12 VDC
- GROUND

COLOR IDENTIFICATION	
CODE	COLOR
WH	WHITE
BK	BLACK
GN	GREEN
GY	GREY
PK	PINK
RD	RED
OG	ORANGE
YE	YELLOW
VT	VIOLET
BN	BROWN
BG	BEIGE (TAN)
BU	BLUE
LT GN	LIGHTGREEN
LT BU	LIGHT BLUE
N/A	NOT AVAILABLE

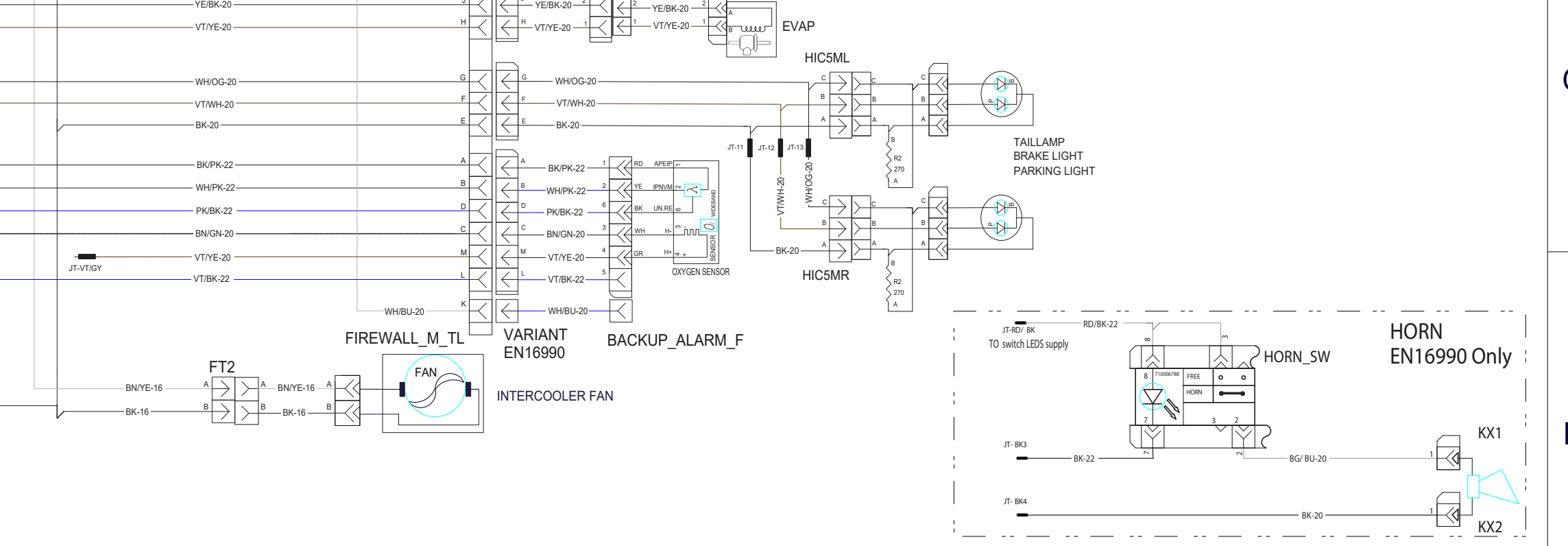
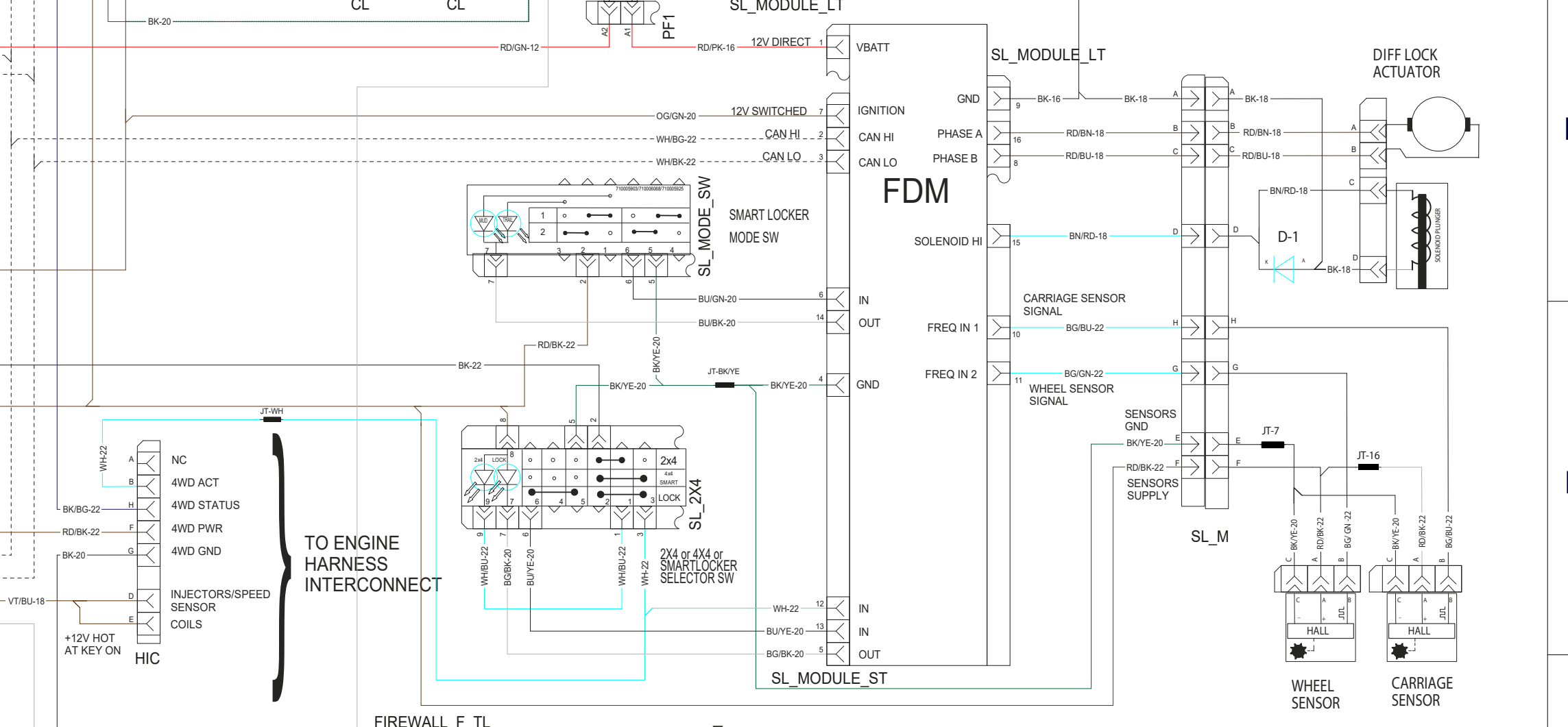
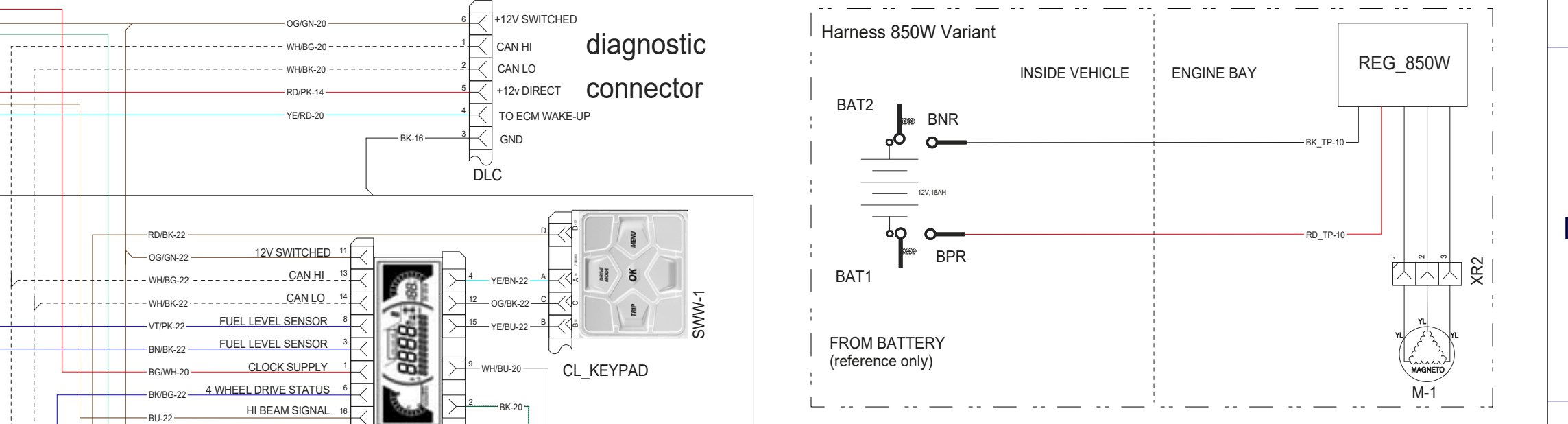
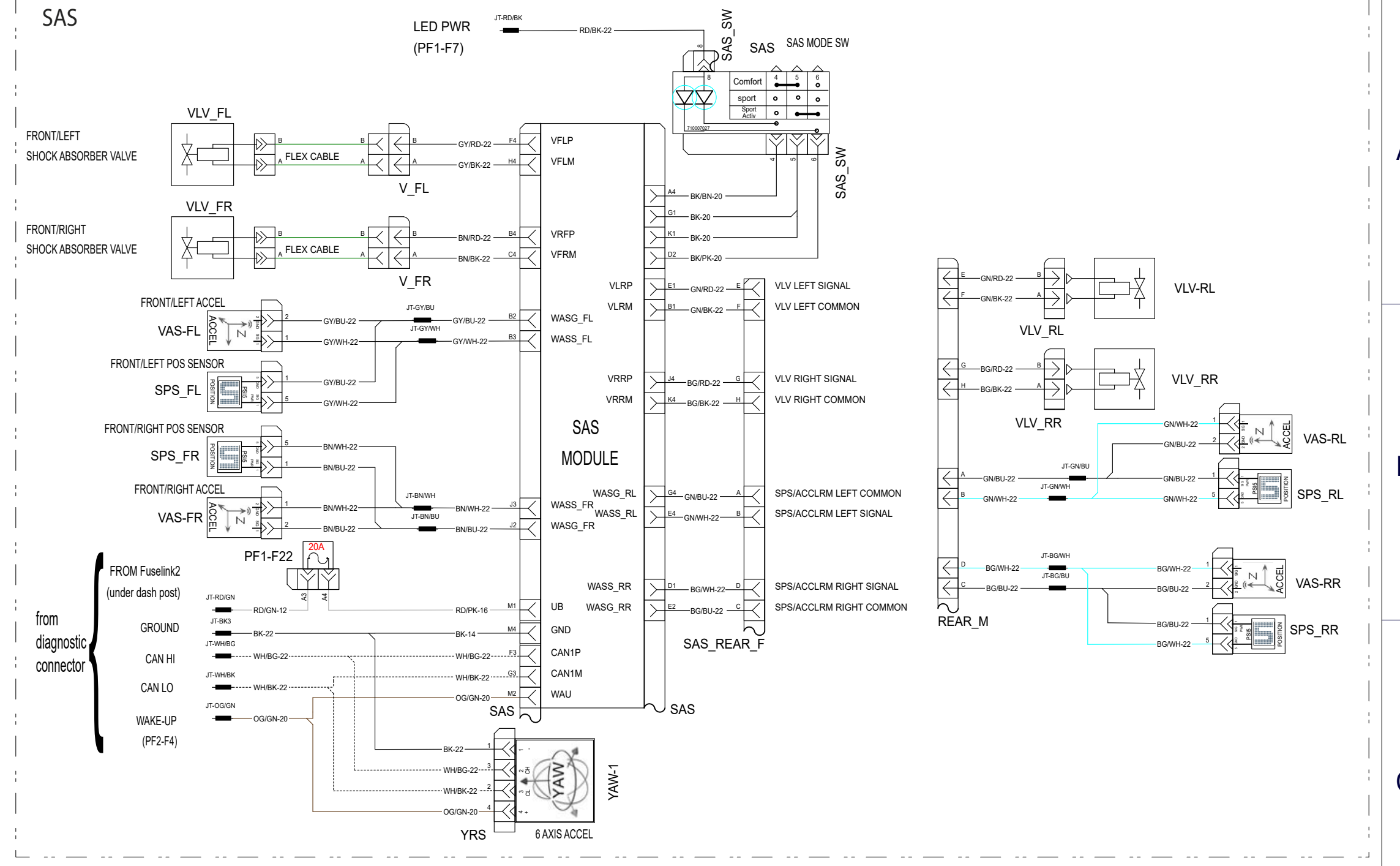
2021 MAVERICK SERIES

MAIN HARNESS ECM Gen2



- COMMUNICATION
- NORMAL 1
- NORMAL 2
- CONTROL LOGIC
- CONTROL ANALOG
- CONTROL 12V
- 12 VDC
- GROUND

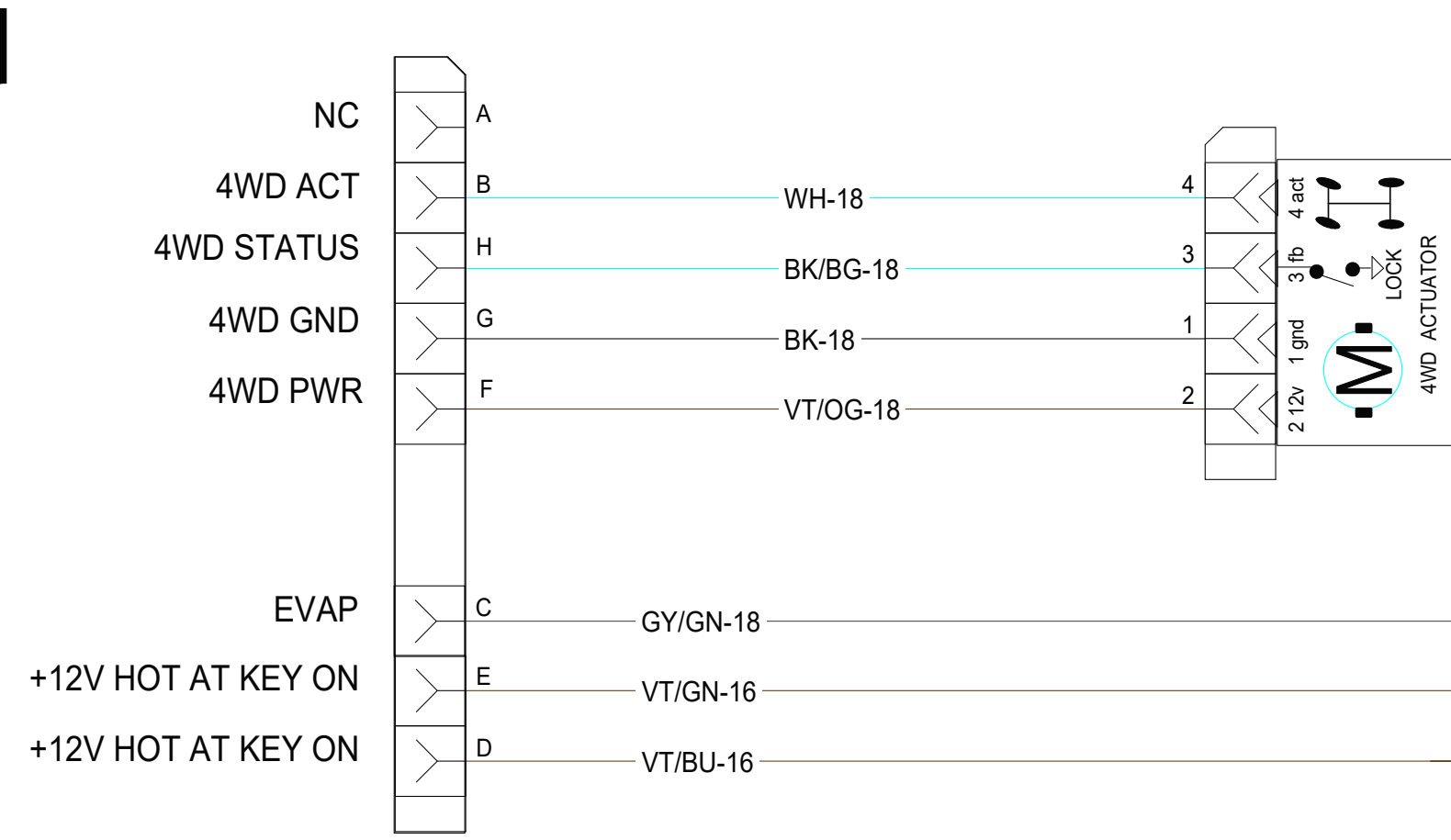
COLOR IDENTIFICATION	
CODE	COLOR
WH	WHITE
BK	BLACK
GN	GREEN
GY	GREY
PK	PINK
RD	RED
OG	ORANGE
YE	YELLOW
VT	VIOLET
BN	BROWN
BG	BEIGE (TAN)
BU	BLUE
LT GN	LIGHTGREEN
LT BU	LIGHT BLUE
N/A	NOT AVAILABLE



2021 ENGINE HARNESS

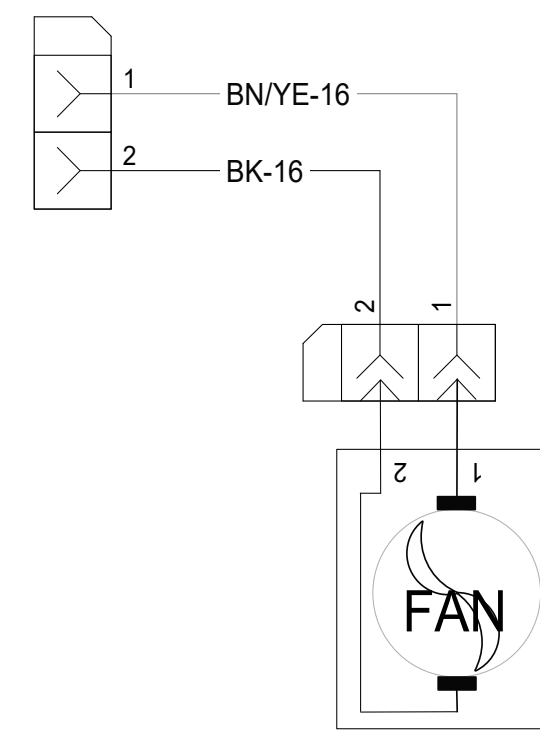
900 ACE TURBO / 900 ACE TURBO R

FROM MAIN HARNESS ENGINE INTER-CONNECT



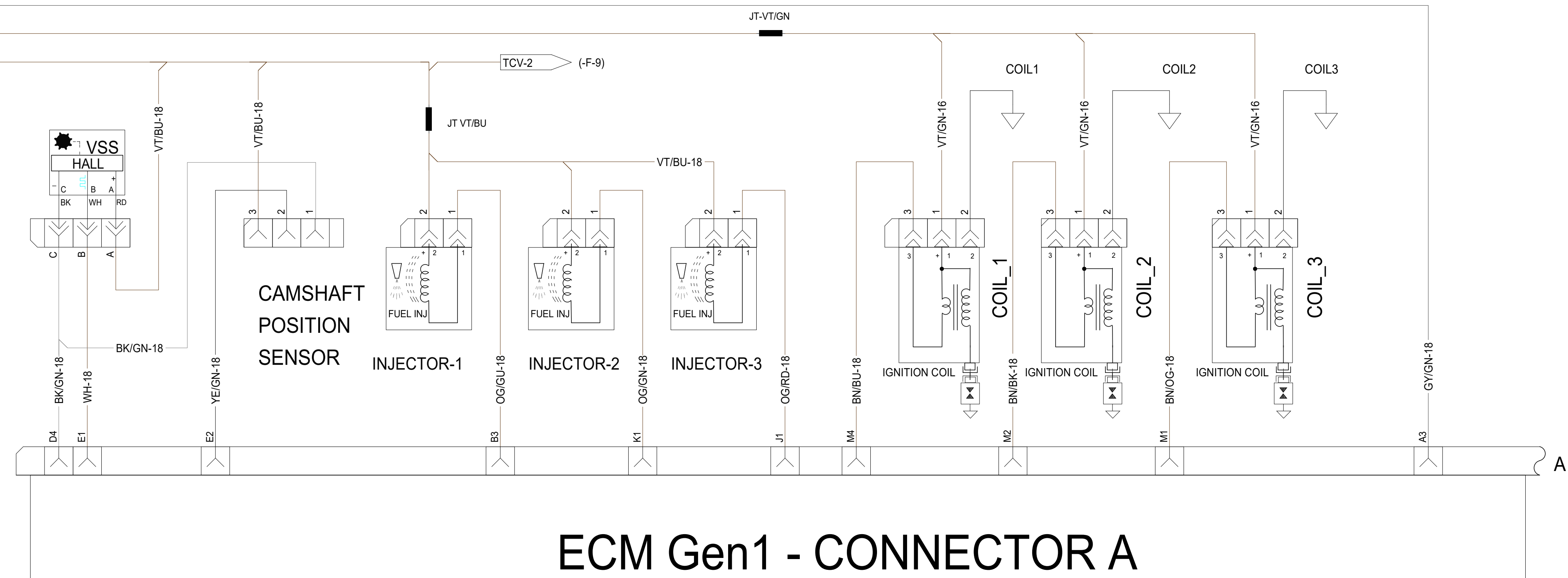
4WD ACTUATOR

FROM MAIN HARNESS INTERCOOLER INTER-CONNECT



FT-2

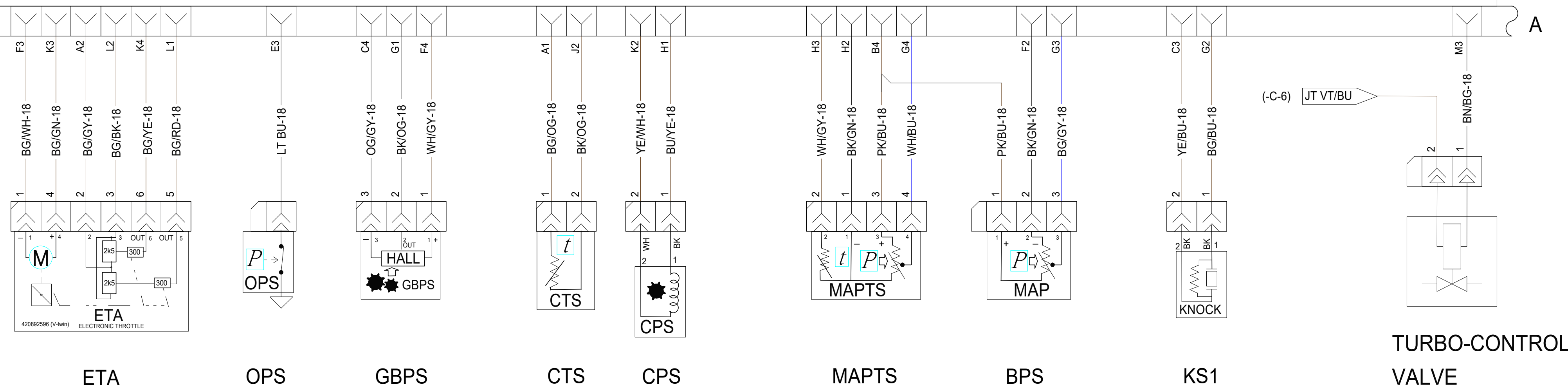
INTERCOOLER FAN



ECM Gen1 - CONNECTOR A

COLOR IDENTIFICATION	
CODE	COLOR
WH	WHITE
BK	BLACK
GN	GREEN
GY	GREY
PK	PINK
RD	RED
OG	ORANGE
YE	YELLOW
VT	VIOLET
BN	BROWN
BG	BEIGE (TAN)
BU	BLUE
LT GN	LIGHTGREEN
LT BU	LIGHT BLUE
N/A	NOT AVAILABLE

COMMUNICATION	
---	COMMUNICATION
—	NORMAL 1
—	NORMAL 2
—	CONTROL LOGIC
—	CONTROL ANALOG
—	CONTROL 12V
—	12 VDC
—	GROUND



ETA

OPS

GBPS

CTS

CPS

MAPTS

BPS

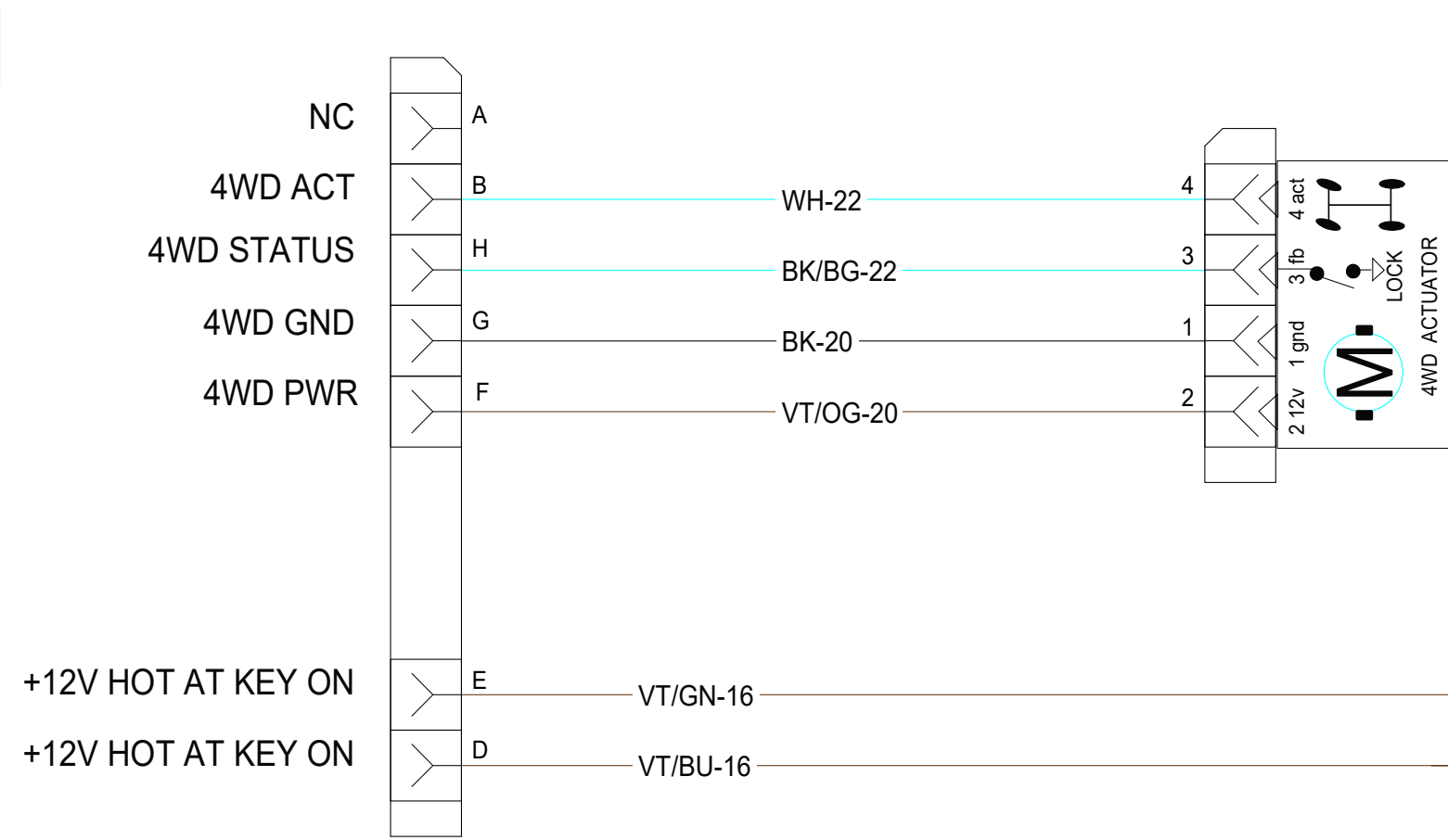
KS1

TURBO-CONTROL VALVE

2021 ENGINE HARNESS

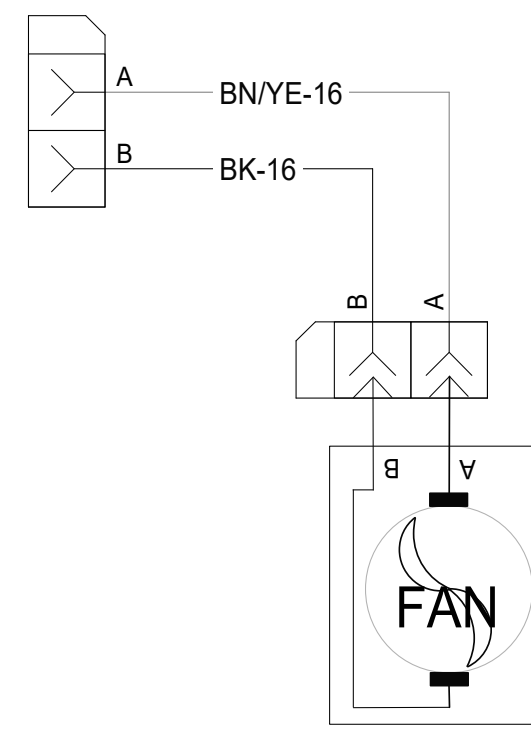
900 ACE TURBO RR

FROM MAIN HARNESS ENGINE INTER-CONNECT



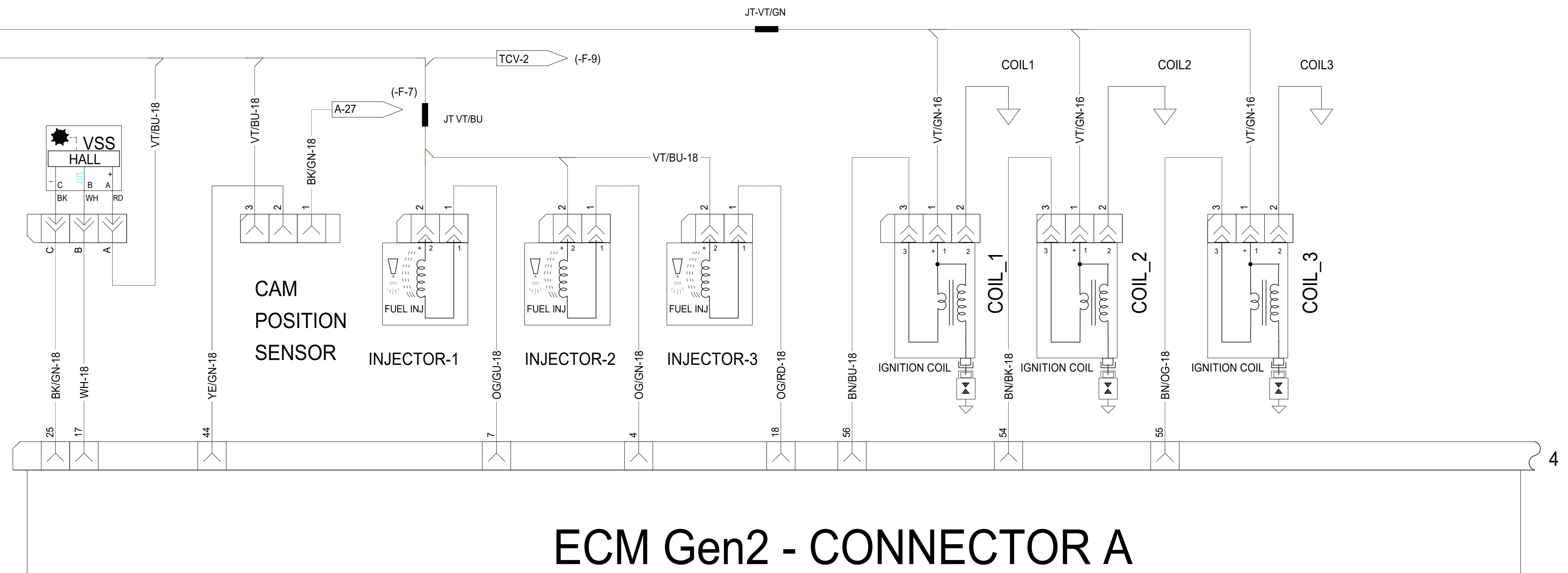
4WD ACTUATOR

FROM MAIN HARNESS INTERCOOLER INTER-CONNECT



FT-2

INTERCOOLER FAN

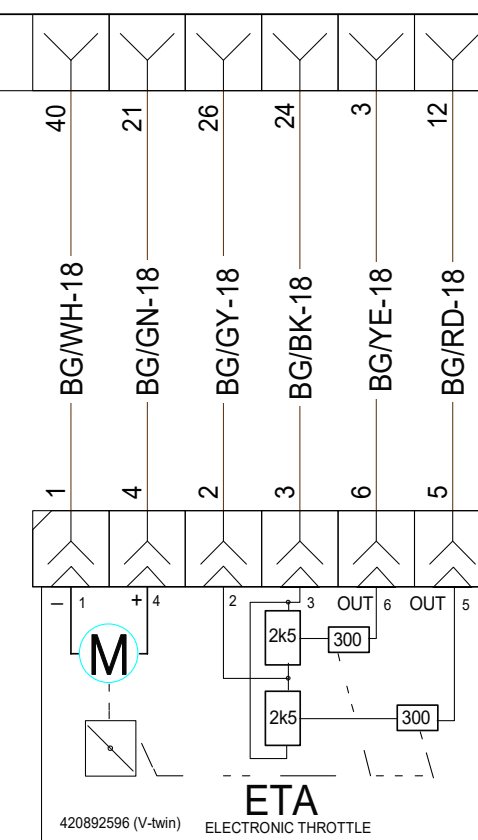


ECM Gen2 - CONNECTOR A

COLOR IDENTIFICATION

CODE	COLOR
WH	WHITE
BK	BLACK
GN	GREEN
GY	GREY
PK	PINK
RD	RED
OG	ORANGE
YE	YELLOW
VT	VIOLET
BN	BROWN
BG	BEIGE (TAN)
BU	BLUE
LT GN	LIGHTGREEN
LT BU	LIGHT BLUE
N/A	NOT AVAILABLE

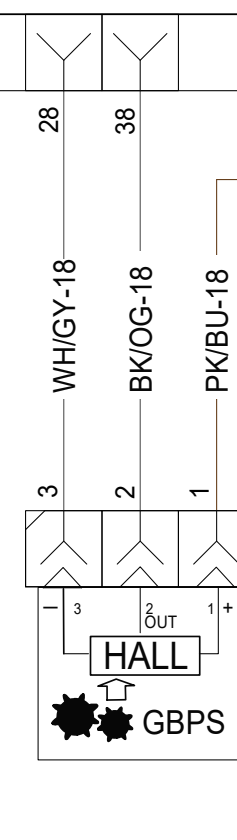
- COMMUNICATION
- NORMAL 1
- NORMAL 2
- CONTROL LOGIC
- CONTROL ANALOG
- CONTROL 12V
- 12 VDC
- GROUND



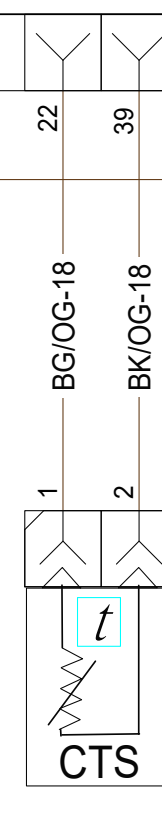
ETA



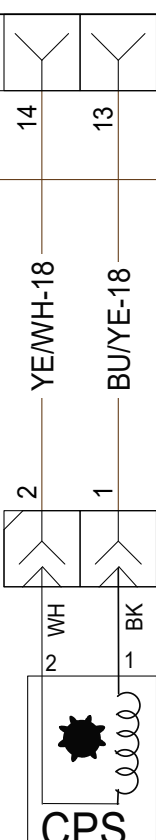
OPS



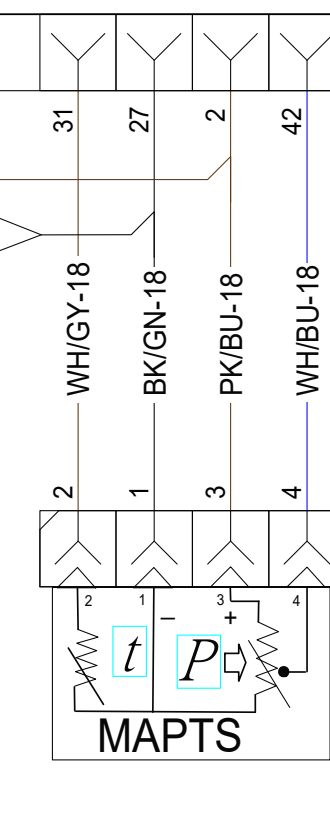
GBPS



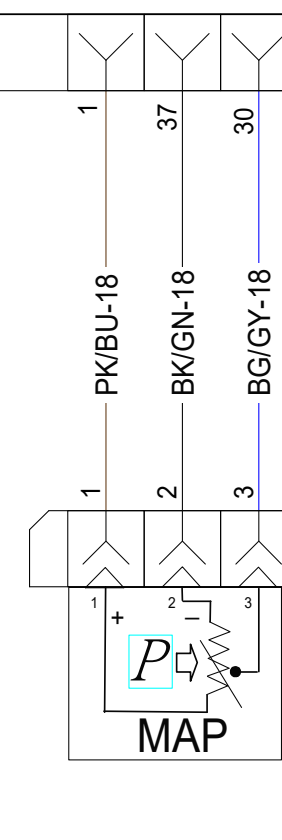
CTS



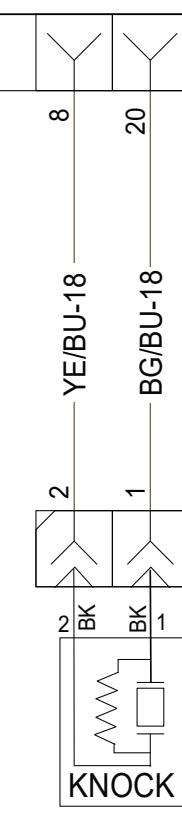
CPS



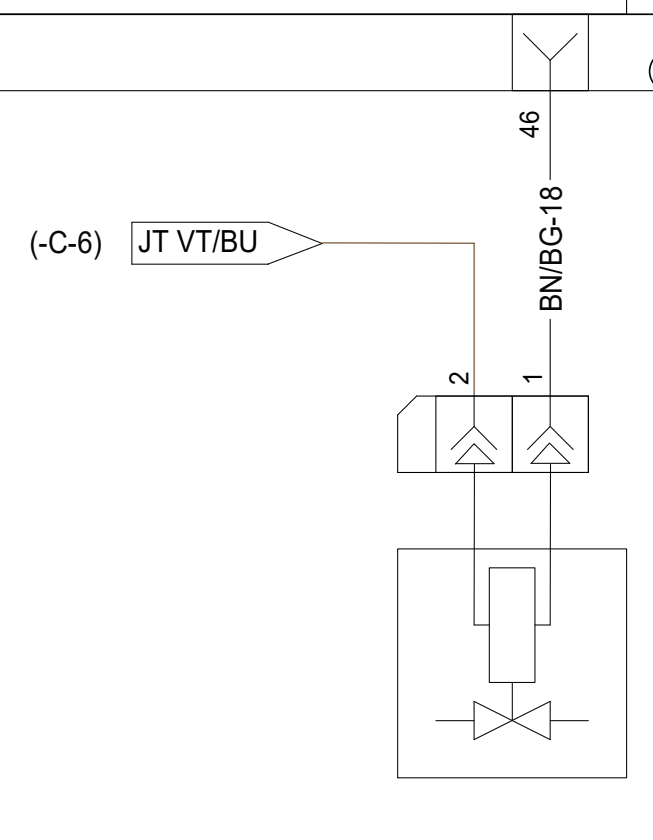
MAPTS



BPS



KS1



TURBO-CONTROL VALVE