

SAFETY RECALL NOTICE



Bombardier Recreational Products Inc.

565 de la Montagne Street
Valcourt, Québec, Canada J0E 2L0
T 450.532.2211 F 450.532.5133

www.brp.com

Date: January 23, 2007

Dear Sea-Doo® Dealer,

This notice is sent to you in accordance with the requirements of the Federal Boat Safety Act and other applicable laws.

What is the reason for this notice?

In cooperation with Transport Canada and the U.S. Coast Guard, Bombardier Recreational Products Inc. and BRP US Inc. ("BRP") are conducting a voluntary safety recall of certain 2007 Sea-Doo models, as specified in the attached Safety Campaign Bulletin 2007-X.

What is the problem?

On some watercrafts, the bolt securing the steering cable to the steering stem arm maybe be improperly installed and could allow the steering cable to disconnect from the steering stem arm. If this occurs, it may result in a sudden loss of steering and possible collision with another vessel or with a fixed or floating object. This situation can potentially cause serious injuries or even death to rider or bystander.

What will BRP do?

BRP has already sent a Safety Recall letter to all known registered owners of these watercrafts in North America. This letter urges that the owners immediately stop using their watercraft and contact their authorized BRP Sea-Doo dealer in order to have their watercraft inspected and repaired. Also, BRP sent a Safety Recall letter to all Sea-Doo dealers and posted this notice and attached Safety Campaign Bulletin on its BOSSWeb dealer website (www.bossweb.com).

What should you do?

- 1) Do not deliver any involved watercraft before doing the repair.
- 2) Contact all of your customers who have purchased this product. You must inform them about the foregoing and you must request that they immediately stop using their watercraft and that they make an appointment to get their watercraft repaired.
- 3) Follow all instructions provided in the attached Safety Campaign Bulletin 2007-1.

If you have questions.

If you have questions about this notice, please call:

- In USA: 1-800-366-6992
- In Canada: 1-800-361-9980

We apologize for any inconvenience this may cause you. Thank you for your immediate attention to this matter.

Sincerely,

After Sales Service Department
Bombardier Recreational Products Inc.

Ski-Doo
Lynx
Sea-Doo
Evinrude
Johnson
Rotax
Can-Am



SAFETY
CAMPAIGN

WATERCRAFT
WARRANTY
Bulletin



⚠ WARNING: All involved customers must be notified, all involved units must be corrected as per instructions herein.

Campaign no.: 2007-0001

Date: **January 23, 2007**

Subject: **Steering Cable Stem Arm Bolt**

No. **2007-1**

YEAR	MODEL	MODEL NUMBER	SERIAL NUMBER
2007	GTX+ 4-TEC ®	147A	See attached list
	GTX WAKE™	267A	
	GTX Limited®	187A	
	GTI™SE	247A/307A	
	GTI	237A/257A	
	RXP®	217A/217C/287A/287C	
	RXT®	177A/177C	
Note: No International Models Involved.			
GTX is a trademark of Castrol Ltd used under licence.			

PROBLEM

On some vehicles, the bolt securing the steering cable to the steering stem arm may be improperly installed and could allow the steering cable to disconnect from the steering stem arm. If this occurs, it may result in a sudden loss of steering and possible collision with another vessel or with a fixed or floating object. This situation can potentially cause serious injuries or even death to rider or bystanders.

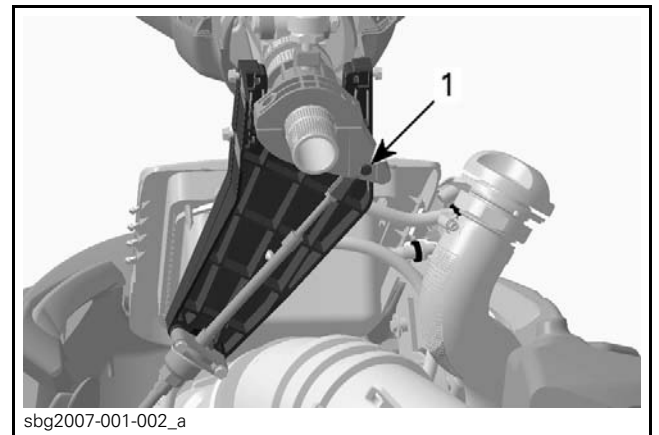
SOLUTION

Locate steering cable stem arm bolt and ensure it is properly installed and torqued.

NOTE: No part should be required to perform this campaign. In the unlikely event where the steering cable stem arm bolt (P/N 211 000 081) was improperly installed and lost in the hull along with the elastic nut (P/N 232 561 600), claim these parts under normal warranty (claim type 01).

PROCEDURE

- Open front storage cover and remove storage bin to give access to the steering cable stem arm bolt.



- Using a flashlight, locate the steering cable stem arm bolt [1] through the storage bin opening.
- Turn the steering handle bar to help you locate the bolt and to provide a direct access.

-
- Using an extension if necessary, torque the steering cable stem arm bolt to 4 N•m (35 lbf•in).
When torquing ensure the bolt does not turn freely.
 - Re install storage bin and close front storage cover.

WARRANTY

Campaign Number	2007-0001
Claim Type	Campaign Claim
Action	Repair
Flat Rate	0.3 hr

For claiming procedure, refer to the *DEALER/DISTRIBUTOR WARRANTY GUIDE*.

Model: 147A

From 022407 to 022510
From 022512 to 022543
From 022545 to 022554
From 022556 to 022558
From 022560 to 022589
From 022591 to 022593
From 022595 to 022606

Model: 177A

052480
From 052669 to 052684
From 052686 to 052704
From 052706 to 052868

Model: 177C

From 052870 to 052939
From 052941 to 053019
From 053021 to 053049

Model: 187A

022400
From 023005 to 023118
From 023120 to 023128
From 023130 to 023178
From 023180 to 023201

Model: 217A

039309
From 039312 to 039364
From 039366 to 039405
From 039407 to 039409
From 039411 to 039438

Model: 217C

From 039156 to 039204
From 039206 to 039308

Model: 237A

From 000945 to 001042
From 001044 to 001092
From 001094 to 001118
From 001120 to 001124
From 001126 to 001138
From 002251 to 002254
002258
002262
002275
002301
From 002303 to 002304
From 002307 to 002308
002327
002329
002333
002336
002340
From 002342 to 002344

002346
002348
From 002350 to 002351
From 002353 to 002356
From 002358 to 002360
From 002362 to 002381
002383
002385
002387
From 002389 to 002399
From 002401 to 002410
From 002412 to 002414
002416
From 002418 to 002425
From 002428 to 002429
002432
002435
From 002438 to 002439
From 002441 to 002443
From 002445 to 002465
From 002467 to 002504
From 002506 to 002523
From 002526 to 002543
From 002546 to 002555
From 002557 to 002582
From 002584 to 002590
From 002592 to 002594
From 002596 to 002601
002606
002609
From 002612 to 002614
From 002620 to 002628
From 002630 to 002640
From 002642 to 002686
From 002688 to 002689
From 002691 to 002760
From 002762 to 002765
From 002767 to 002777
From 002779 to 002815
From 002817 to 002819
002821
From 002823 to 002824
From 002826 to 002834
From 002838 to 002839
From 002841 to 002845
002850
From 002852 to 002853
002855
002857
002860
From 002864 to 002866
From 002868 to 002871
002874
From 002876 to 002885
From 002887 to 002894

From 002897 to 002898
From 002900 to 002902
From 002905 to 002906
From 002908 to 002909
From 002916 to 002919
002924
002985
003008
From 003010 to 003011
003036
003038
003040
From 003042 to 003044
003046
From 003049 to 003085
From 003087 to 003117

Model: 247A

From 001222 to 001430
From 001432 to 001463
From 001465 to 001482
From 001484 to 001492
From 003118 to 003120
From 003122 to 003124
From 003126 to 003170
From 003172 to 003216
From 003218 to 003331
From 003333 to 003350
From 003352 to 003387
From 003389 to 003506
From 003508 to 003553
From 003555 to 003568
From 003570 to 003597
From 003599 to 003623
From 003625 to 003651
From 003653 to 003655
003657
From 003659 to 003674
From 003676 to 003682
From 003685 to 003695
From 003697 to 003698
From 003700 to 003701
From 003703 to 003705
From 003709 to 003710
From 003714 to 003716
From 003718 to 003719
From 003722 to 003723
003729
From 003731 to 003735
From 003737 to 003747
From 003750 to 003751
003753
003755
003757
003784

Model: 247A (cont'd)

Model: 247A (cont'd)

003818
From 003851 to 003852
003856
From 003858 to 003861
003864
003868
003870
From 003875 to 003876
003878
From 003880 to 003886
003888
From 003890 to 003891
003893
003895
From 003901 to 003908
003910
003913
003915
From 003920 to 003921
003924
003928
From 003930 to 003934
From 003936 to 003939
From 003941 to 003943
003946
From 003948 to 003949
003951
From 003954 to 003958
003964
003966
003971
From 003976 to 003977
From 003979 to 003981
From 003983 to 003984
003987
From 003993 to 003994
From 003996 to 003998
004000
004185

Model: 257A

From 000844 to 000885
From 000887 to 000905
From 000907 to 000944
From 001886 to 001889
From 001891 to 001895
From 001897 to 001902
001904
From 001906 to 001920
From 001922 to 001932
From 001934 to 001940
From 001942 to 001945
From 001947 to 001949

Model: 257A (cont'd)

From 001951 to 001961
From 001963 to 001968
From 001970 to 001973
From 001975 to 001978
001981
001983
001988
From 001990 to 001993
From 001995 to 001996

Model: 267A

From 022805 to 022882
022884
From 022886 to 022908
From 022910 to 023004

Model: 287A

038790
From 038868 to 038895
From 038898 to 038947

Model: 287C

From 038796 to 038807
From 038809 to 038826
From 038828 to 038867

Model: 307A

000751
From 001493 to 001779

SAFETY RECALL NOTICE



Bombardier Recreational Products Inc.

565 de la Montagne Street
Valcourt, Québec, Canada J0E 2L0
T 450.532.2211 F 450.532.5133

www.brp.com

«SEQ_NO»
«SERNR» «MODEL_YR» «CMP_NO»
«NAME2» «NAME1»
«STREET»
«PO_BOX1»
«CITY» «REGION» «ZIP»
«COUNTRY»

Date: January 23, 2007

Dear Sea-Doo® Owner,

This notice is sent to you in accordance with the requirements of the Federal Boat Safety Act and other applicable laws.

What is the reason for this notice?

In cooperation with Transport Canada and the U.S. Coast Guard, Bombardier Recreational Products Inc. and BRP US Inc. ("BRP") are conducting a voluntary safety recall of certain 2007 Sea-Doo models. Our records indicate that you are the owner of a potentially affected watercraft.

What is the potential problem?

On some watercrafts, the bolt securing the steering cable to the steering stem arm may be improperly installed and could allow the steering cable to disconnect from the steering stem arm. If this occurs, it may result in a sudden loss of steering and possible collision with another vessel or with a fixed or floating object. This situation can potentially cause serious injuries or even death to rider or bystander.

What should you do?

Immediately stop using your watercraft and call an authorized BRP Sea-Doo dealer and make an appointment to have your watercraft inspected and repaired. The dealer will perform this work at no charge to you.

To contact your nearest authorized Sea-Doo dealer, visit www.sea-doo.com, or contact us by phone at the numbers below.

What to do if you feel this notice is an error?

This notice was mailed to you according to the most current information we have available. If you no longer own this watercraft or some information in this notice is incorrect, please contact BRP at your earliest convenience.

If you have questions.

If you have questions about this notice, please contact your authorized BRP Sea-Doo dealer and if he or she is unable to answer your questions, please call BRP in the US and Canada at 1 (888) 864-2002, 8:00 to 18:00 eastern time.

We apologize for any inconvenience this may cause you. Thank you for your immediate attention to this matter.

Sincerely,

After-Sales Service Department
Bombardier Recreational Products Inc. and BRP US Inc.

Ski-Doo
Lynx
Sea-Doo
Evinrude
Johnson
Rotax
Can-Am