



**SIDE-BY-SIDE  
VEHICLES**  
**SERVICE  
Bulletin**



June 13<sup>th</sup>, 2013

Subject: **Spring Chart**

No.

**2014-3**

COMMANDER SERIES			
ENGINE	MODEL	MODEL NUMBER	SERIAL NUMBER
800R	STD	6CEA, 6CEB, 6CEC	All
	DPS	6TEA, 6TEB	
	XT	6DEA, 6DEB, 6DEC	
1000	STD	6AEA, 6AEB	
	DPS	6PEA	
	XT	6BEA, 6BEB, 6BED, 6BEE, 6BEF, 6BEG, 6BEH	
	XT-P	6EEA, 6EEB, 6EEC	
	LTD	6GEA, 6GEB, 6GED	
MAVERICK SERIES			
ENGINE	MODEL	MODEL NUMBER	SERIAL NUMBER
1000	STD	7AEA, 7AEB, 7AEC,	All
	X rs	7BEA, 7BEB, 7BED	
	X rs DPS	7EEA, 7EEB, 7EEC, 7EED, 7EEE	
	X xc	7CEA, 7CEB, 7CEC, 7CED	
	MAX STD	6LEA, 6LEC	
	MAX X rs	7DEA, 7DEB, 7BEC, 7DED	

The information in this bulletin applies to above models.

This bulletin is divided into 3 main sections:

**Spring Information**

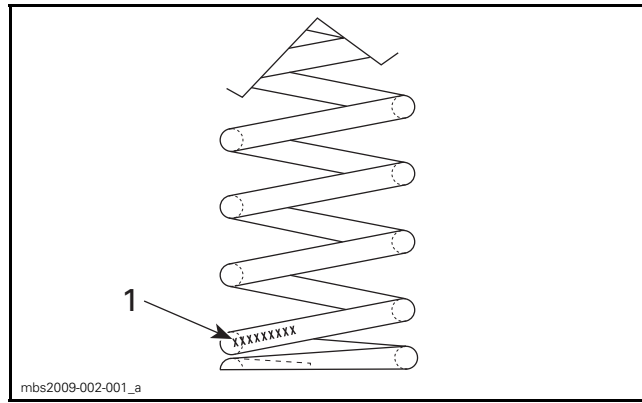
- Provides information about spring identification and spring type.

**Spring Applications**

- Provides information on spring application according to model.

**Spring Specifications**

- Provides spring specifications.



1. Part number ink marked

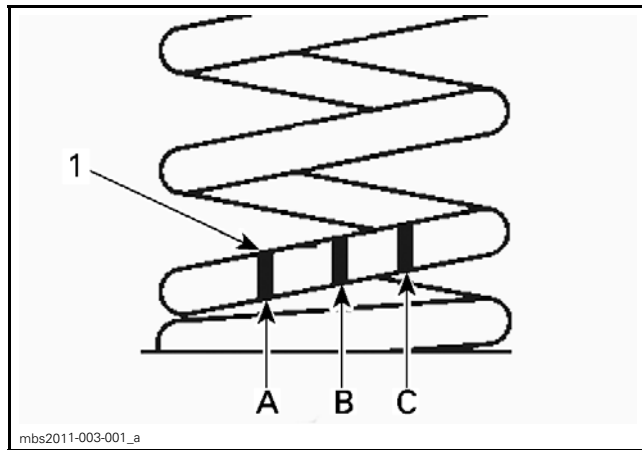
**SPRING INFORMATION**

**Spring Identification**

Spring identification is done by color code stripes **or** by its part number.

**Color code**

Read color codes when spring is upright and stripes are down.



**IDENTIFICATION BY COLOR STRIPES**

1. Color stripes when spring is upright with the stripes down

- A. 1<sup>st</sup> stripe
- B. 2<sup>nd</sup> stripe
- C. 3<sup>rd</sup> stripe

**Part number**

Part number is printed within the first 1-1/4 coils

**Color Code Legend**

COLOR CODE					
BK	—	BLACK	PI	—	PINK
BL	—	BLUE	RD	—	RED
GD	—	GOLD	SI	—	SILVER
GN	—	GREEN	WH	—	WHITE
OR	—	ORANGE	YL	—	YELLOW

**Spring Types**

All call-outs below each following illustrations refer to:

1. Color code stripes or part number,
2. Wire diameter,
3. Spring free length.

**NOTE:** Read color codes when spring is upright and stripes are down.

Spring type		
Type T and V (barrel shape at both ends)	Single Rate Spring	
Type 2 and 6 (barrel shape at both ends)	Dual Rate Spring	
Type 8 (barrel shape at both ends)	Dual Rate Spring	

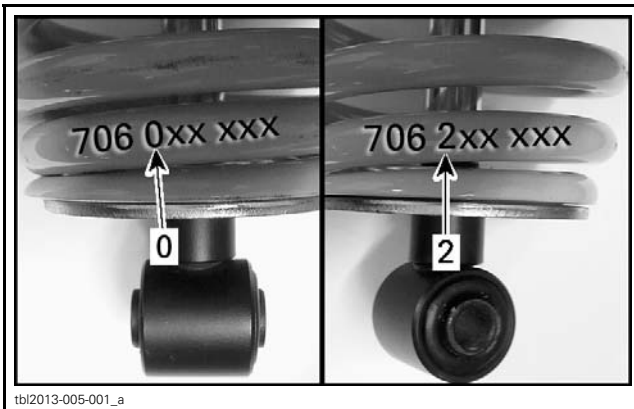
# SPRING APPLICATIONS

MODEL	MODEL NUMBER	SPRING PART NUMBER	
		Front	Rear
<b>800 Series</b>			
Commander Std	All	706 201 631	706 001 043
Commander DPS	All	706 200 860	706 000 667
Commander XT	All	706 201 367 706 200 860 706 201 369	706 000 667 706 001 043 706 001 045
<b>1000 Series</b>			
Commander Std	All	706 201 631	706 001 043
Commander DPS	All	706 200 860	706 000 667
Commander LTD		706 201 473 706 201 369	706 001 040
Commander XT-P	All	706 201 124	706 000 821
Commander XT	All	706 200 860 706 201 367 706 201 369	706 000 667 706 001 043 706 001 045

MODEL	MODEL NUMBER	SPRING PART NUMBER	
		Front	Rear
Maverick Std	All	706 201 580 706 201 820	706 001 241 706 001 588
Maverick X rs Maverick X rs DPS	All	706 201 600 706 201 822	706 001 313 706 001 585
Maverick X xc	All	706 201 715 706 201 825	706 001 462 706 001 591
Maverick MAX Std	All	706 201 707	706 001 454
Maverick MAX X rs	All	706 201 711 706 201 827	706 001 458 706 001 594

# SPRING SPECIFICATIONS

NOTE: The 4<sup>th</sup> digit of the spring part number indicates its mounting location.



tbl2013-005-001\_a

0 = Rear  
2 = Front

P/N	TYPE	SPRING RATE (LB/IN) ± 10  (RATE 1 / RATE 2)	FREE LENGTH (MM) ± 3	WIRE DIAMETER (MM) ± .05	STRIPE COLOR CODE
COMMANDER					
706 000 667	6	200 / 251.3	358	11.5	Blue-Gold
706 000 821	2	158.2 / 259.2	373	11.5	Gold-Gold
706 001 040	2	145.6 / 250	355.6	10.6	Yellow-White
706 001 043	6	200 / 251.3	358	11.5	Blue-Yellow
706 001 045	6	200 / 251.3	358	11.5	Green-Yellow
706 200 860	6	137 / 162.7	363	10.6	Green-Black-Black
706 201 124	T	150 ± 5	350	10.6	Green-Gold
706 201 367	6	137 / 162.7	363	10.6	Gold-Yellow
706 201 369	6	137 / 162.7	363	10.6	Red-Yellow
706 201 473	2	119.3 / 162	358.65	9.98	Red-White
MAVERICK					
706 001 241	T	175	368.3	11.5	Black Red Black
706 001 313	V	200	381	12.2	White Black
706 201 707	T	200	400	11.88	Red Silver Black
706 201 711	V	200	380.6	12.2	Blue Silver Black
706 201 715	2	142.8 / 200	355.6	11.1	Red White Black
706 201 718	T	125	355.6	9.53	Blue White Black
706 201 820	2	133.6 / 199.9	406.4	11.1	Black Yellow
706 201 822	6	163.9 / 220	385.6	11.88	White White
706 201 825	2	142.8 / 200	355.6	11.1	Blue Gold Black
706 201 827	V	200	380.6	12.2	Black Gold Black
706 001 454	V	302.6	395.6	13.5	White Green Black
706 001 458	10	302.6	375.6	13.5	Silver Blue Black
706 001 462	T	225	355.6	11.88	White Black Black
706 001 466	T	150	355.6	9.98	White Blue Black

<b>P/N</b>	<b>TYPE</b>	<b>SPRING RATE (LB/IN) ± 10 <u>                    </u> (RATE 1 / RATE 2)</b>	<b>FREE LENGTH (MM) ± 3</b>	<b>WIRE DIAMETER (MM) ± .05</b>	<b>STRIPE COLOR CODE</b>
706 001 585	V	200	381	12.2	White Green
706 001 588	T	175	368.3	11.5	Black Green Black
706 001 591	T	225	355.6	11.88	Silver Gold Black
706 001 594	10	302.6	375.6	13.5	White Gold Black
706 201 580	2	133.6 / 199.9	406.4	11.1	Black Blue Black
706 201 600	6	163.9/ 220	385.6	11.88	Gold Black