

June 1st, 2012

Subject: **Spring Chart**

No. **2013-2**

YEAR	MODEL	MODEL NUMBER	SERIAL NUMBER
2013	Commander Series	All	All

The information in this bulletin applies to above models.

This bulletin is divided into 3 main sections:

Spring Information

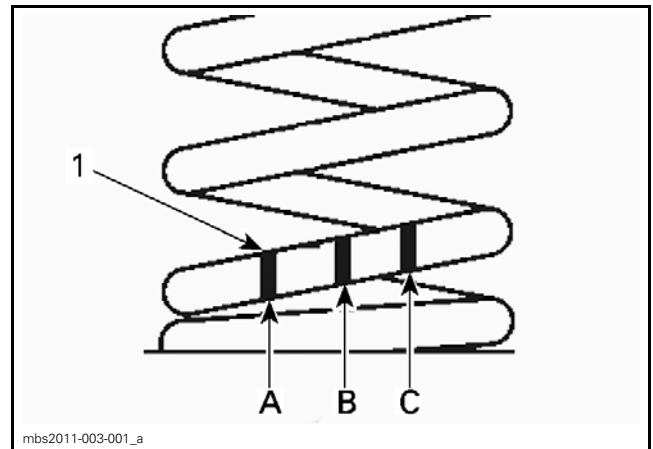
- Provides information about spring identification and spring type.

Spring Applications

- Provides information on spring application according to model.

Spring Specifications

- Provides spring specifications.



mbs2011-003-001_a

IDENTIFICATION BY COLOR STRIPES

1. Color stripes when spring is upright with the stripes down
 - A. 1st stripe
 - B. 2nd stripe
 - C. 3rd stripe

SPRING INFORMATION

Spring Identification

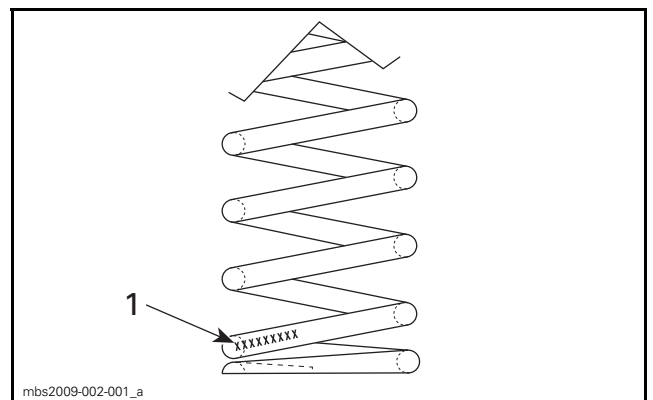
Spring identification is done by color code stripes **or** by its part number.

Color code

Read color codes when spring is upright and stripes are down.

Part number

Part number is printed within the first 1-1/4 coils



mbs2009-002-001_a

1. Part number ink marked

Color Code Legend

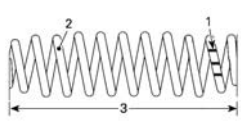
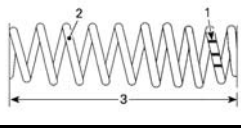
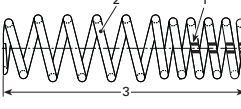
COLOR CODE			
BK	—	BLACK	PI — PINK
BL	—	BLUE	RD — RED
GD	—	GOLD	SI — SILVER
GN	—	GREEN	WH — WHITE
OR	—	ORANGE	YL — YELLOW

Spring Types

All call-outs below each following illustrations refer to:

1. Color code stripes or part number,
2. Wire diameter,
3. Spring free length.

NOTE: Read color codes when spring is upright and stripes are down.

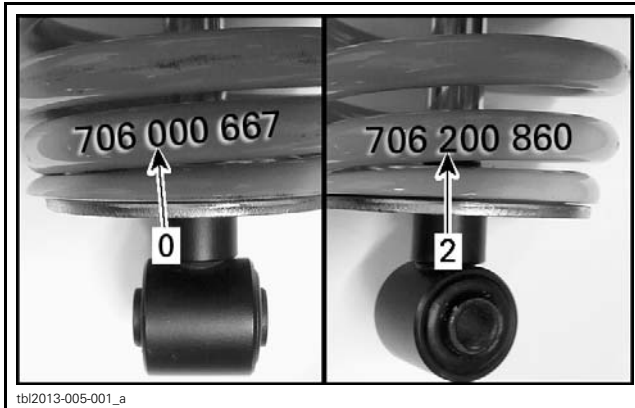
Spring type		
Type T and V (barrel shape at both ends)	Single Rate Spring	
Type 2 and 6 (barrel shape at both ends)	Dual Rate Spring	
Type 8 (barrel shape at both ends)	Dual Rate Spring	

SPRING APPLICATIONS

MODEL	MODEL NUMBER	SPRING PART NUMBER	
		Front	Rear
800 Series			
Commander Std	All	706 201 631	706 001 043
Commander DPS	All	706 200 860	706 000 667
Commander XT	All	706 201 367 706 200 860 706 201 369	706 000 667 706 001 043 706 001 045
1000 Series			
Commander Std	All	706 201 631	706 001 043
Commander DPS	All	706 200 860	706 000 667
Commander LTD		706 201 473	706 001 040
Commander X	All	706 201 124 706 201 617	706 000 821 706 001 317
Commander XT	All	706 200 860 706 201 367 706 201 369	706 000 667 706 001 043 706 001 045

SPRING SPECIFICATIONS

NOTE: The 4th digit of the spring part number indicates its mounting location.



tbi2013-005-001_a
0 = Rear
2 = Front

P/N	TYPE	SPRING RATE (LB/IN) ± 10 (RATE 1 / RATE 2)	FREE LENGTH (MM) ± 3	WIRE DIAMETER (MM) ± .05	STRIPE COLOR CODE
706 000 667	6	200 / 251.3	358	11.5	Blue-Gold
706 000 821	2	158.2 / 259.2	373	11.5	Gold-Gold
706 001 040	2	145.6 ± 0.5 / 250 ± 5	355.6	10.6	Yellow-White
706 001 043	6	200 / 251.3	358	11.5	Blue-Yellow
706 001 045	6	200 / 251.3	358	11.5	Green-Yellow
706 001 317	2	158.2 / 259.2	373	11.5	Silver-Blue
706 200 860	6	137 ± 5 / 162.7 ± 5	363	10.6	Green-Black-Black

P/N	TYPE	SPRING RATE (LB/IN) ± 10 (RATE 1 / RATE 2)	FREE LENGTH (MM) ± 3	WIRE DIAMETER (MM) ± .05	STRIPE COLOR CODE
706 201 124	T	150 ± 5	350	10.6	Green-Gold
706 201 367	6	137 ± 5 / 162.7 ± 5	363	10.6	Gold-Yellow
706 201 369	6	137 ± 5 / 162.7 ± 5	363	10.6	Red-Yellow
706 201 473	2	119.3 ± 5 / 162 ± 5	358.65	9.98	Red-White
706 201 497	V	150 ± 5	355.6	10.6	Black-Black
706 201 617	T	150 /	350	10.6	Silver-Red
706 201 631	V	150.2 /	355.6	10.6	Silver-Yellow