

June 10, 2010

Subject: **Spring Chart**

No. **2011-3**

YEAR	MODEL	MODEL NUMBER	SERIAL NUMBER
2011	Commander Series	All	All

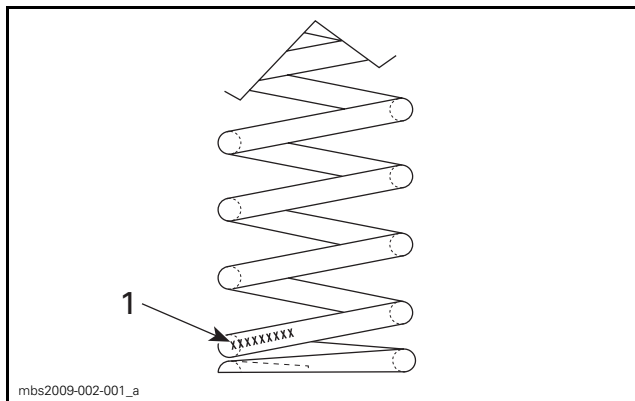
The information in this bulletin supersedes all information previously published.

## SPRING INFORMATION

NOTE: Read color codes when spring is upright and stripes are down.

### Identification

Spring identification is done by color code stripes **or** part number. Part number is printed on the spring within first 1-1/4 coils.



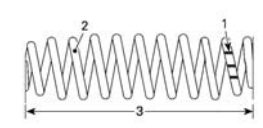
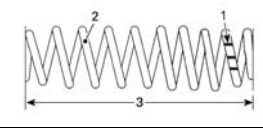
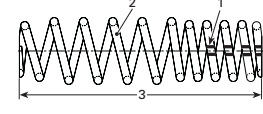
1. Part number ink marked within first 1-1/4 coils

## Spring Types

All call-outs below each following illustrations refer to:

1. Color code stripes or part number,
2. Wire diameter,
3. Free length.

NOTE: Read color codes when spring is upright and stripes are down.

Spring type		
Type T and V (barrel shape at both ends)	Single Rate Spring	
Type 2 and 6 (barrel shape at both ends)	Dual Rate Spring	
Type 8 (barrel shape at both ends)	Dual Rate Spring	

### Color Code Legend

COLOR CODE					
BL	—	BLUE	PI	—	PINK
BK	—	BLACK	RD	—	RED
GD	—	GOLD	SI	—	SILVER
GN	—	GREEN	WH	—	WHITE
OR	—	ORANGE	YL	—	YELLOW

# SPRING APPLICATIONS

SPRING APPLICATIONS					
MODEL		MODEL YEAR	MODEL NUMBER	SPRING P/N	
				FRONT	REAR
Commander 800R	STD	2011	6CBA, 6CBC	706 200 859	706 000 667
	XT	2011	6DBA	706 200 860	706 000 667
		2011	6DBD	706 201 369	706 001 045
Commander 1000	STD	2011	6ABA, 6ABC	706 200 859	706 000 667
	X	2011	6EBA, 6EBC	706 201 124	706 000 821
	XT	2011	6BBA, 6BBB, 6BBC	706 200 860	706 000 667
		2011	6BBD	706 201 367	706 001 043
		2011	6BBE, 6BBF	706 201 369	706 001 045

# SPRING SPECIFICATIONS

COIL SPRINGS SPECIFICATIONS (REAR SHOCK ABSORBER)					
P/N	TYPE	SPRING RATE (LB/IN) $\pm$ 10  (RATE 1 / RATE 2)	FREE LENGTH (MM) $\pm$ 3	WIRE DIAMETER (MM) $\pm$ .05	COLOR OF SPRING
706 000 667	6	200 / 251.3	358	11.5	Yellow
706 000 821	2	158.2 / 259.2	373	11.5	Yellow
706 001 043	6	200 / 251.3	358	11.5	Viper Red
706 001 045	6	200 / 251.3	358	11.5	Deep Black

COIL SPRINGS SPECIFICATIONS (FRONT SHOCK ABSORBER)					
P/N	TYPE	SPRING RATE (LB/IN) $\pm$ 10  (RATE 1 / RATE 2)	FREE LENGTH (MM) $\pm$ 3	WIRE DIAMETER (MM) $\pm$ .05	COLOR OF SPRING
706 200 859	V	150 $\pm$ 5	355.6	10.31	Yellow
706 200 860	6	137 $\pm$ 5 / 162.7 $\pm$ 5	363	10.6	Yellow
706 201 124	T	150 $\pm$ 5	350	10.6	Yellow
706 201 367	6	137 $\pm$ 5 / 162.7 $\pm$ 5	363	10.6	Viper Red
706 201 369	6	137 $\pm$ 5 / 162.7 $\pm$ 5	363	10.6	Deep Black