



ROADSTER
SERVICE
Bulletin



August 29, 2011

Subject: **Can-Am™ Roadster RT-622 Trailer Wiring Diagram**

No. **2012-1**

YEAR	MODEL	MODEL NUMBER	SERIAL NUMBER
2011	RT-622	All	All
2012			

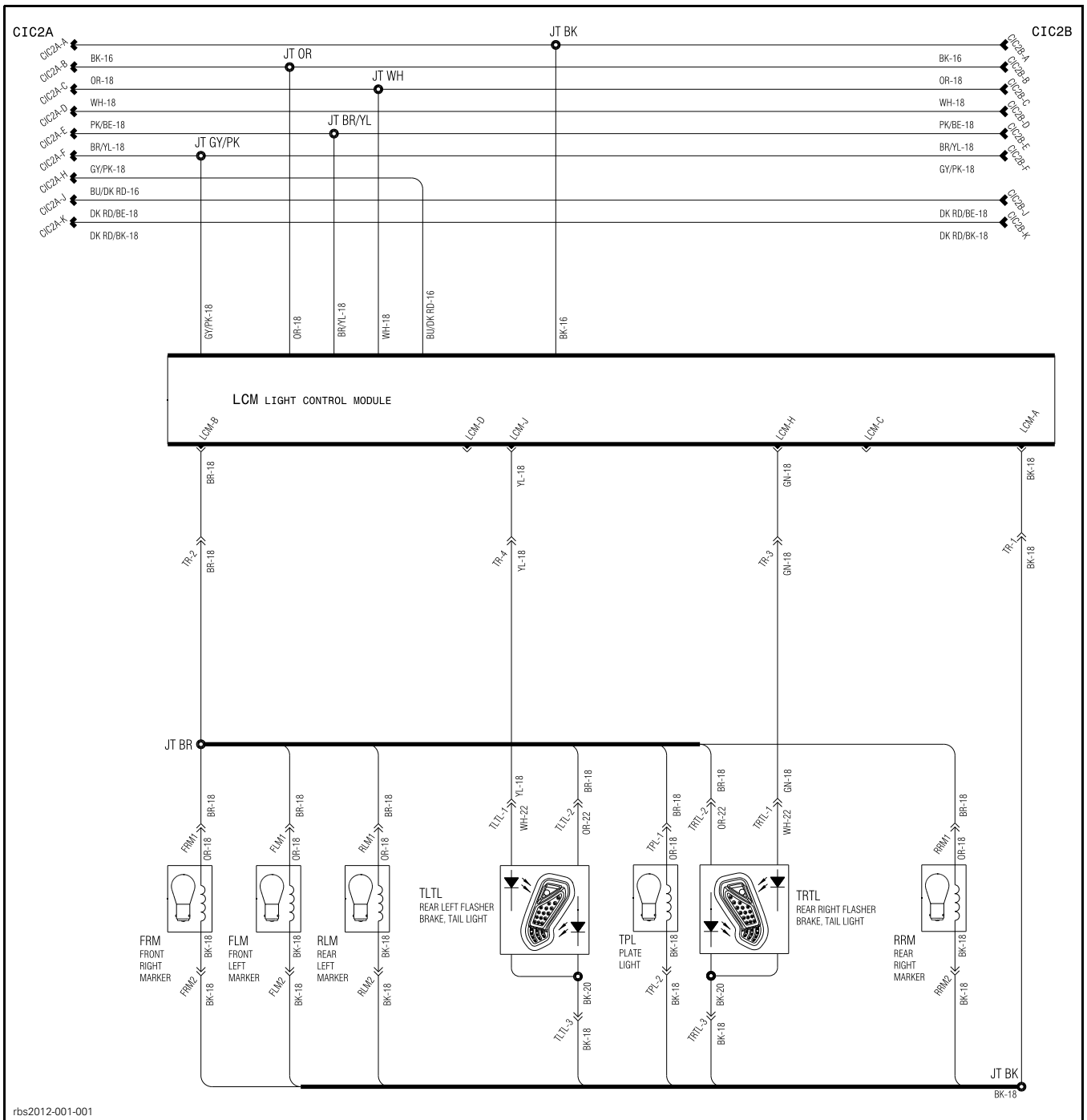
NEW WIRING DIAGRAM FOR 2011-2012 RT-622

2011 and 2012 RT-622 trailer wiring is different from the 2010 model.

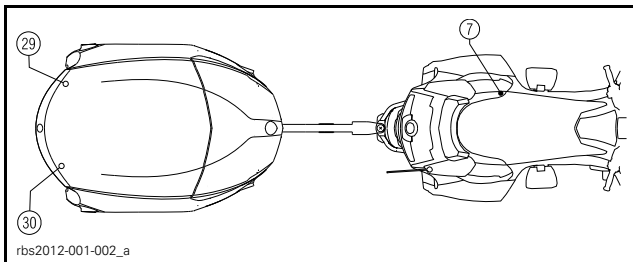
The turn signal now use the same circuit as the stop lights.

Use this wiring diagram and the 2010 RT-622 SERVICE MANUAL (P/N 219 100 421) when servicing the 2011-2012 RT-622 Roadster trailers.

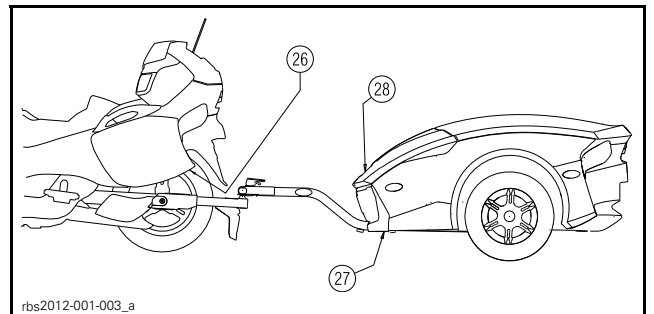
THIS PAGE IS INTENTIONALLY BLANK



rbs2012-001-001



ZONES 7, 29 AND 30
 7: CIC2A AND CIC2B connectors
 29: Rear left lights and connectors
 30: Rear right lights and connectors



ZONES 26, 27 AND 28
 26: LCM (Light control module)
 27: TR connector
 28: Front markers and connectors