

December 22, 2011 Subject: **Apache 360 Mounting Kit Update**

No. **2012-3**

ACCESSORY	MODEL NUMBER	SERIAL NUMBER
Apache 360 Mounting Kit	715 000 937	All

PROBLEM

On a limited quantity of the above described accessory, the front tracks may rub against the ball joint of the steering tie-rod ends, and damage them.

SOLUTION

An update kit has been created; it includes 2 spacers.

1. Update existing kits you may still have in stock.
2. Update kits that were already sold and/or installed.

NOTE: The Apache 360 Mounting kit (P/N 715 000 937) is no longer available. It is replaced by the Apache 360 Mounting Kit (P/N 715 001 701) that now includes the 2 spacers.

REQUIRED PARTS

DESCRIPTION	PART NUMBER	QUANTITY
Front Spacers kit	715 001 700	1

Each Front Spacer Kit (P/N 715 001 700) is composed of:

- Spacer (2x)
- Revised instruction sheet (1x) (P/N 487 801 151).

For North America

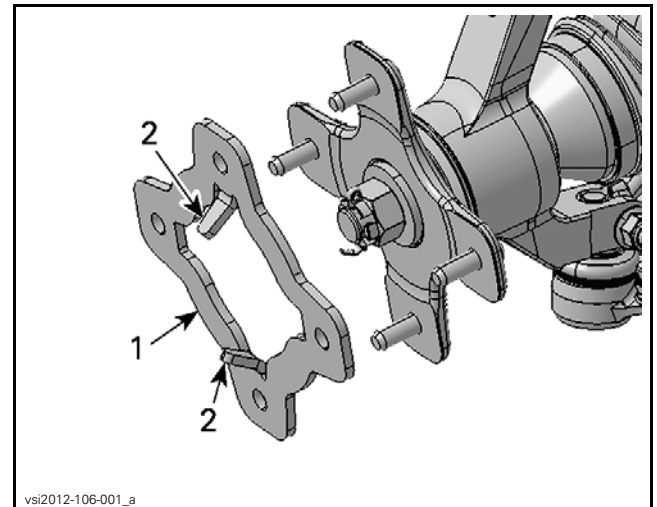
This kit will be auto-shipped at no cost to you in quantity that correspond to the quantity of kits you ordered.

For Dealer/Distributors Outside North America

Please order the Front Spacer Kit (P/N 715 001 700) using the normal channel.

INSTRUCTION

The information about track spacers installation is provided in the new instruction sheet provided with the *FRONT SPACERS KIT* (P/N 715 001 700), (refer to page 6 of instruction sheet).



1. Track spacer
2. Tabs outside

For each kit in your possession, replace the provided instruction sheet with the new included in the *FRONT SPACERS KIT* (P/N 715 001 700)

Make sure to discard any old version of the instruction sheet and give a copy of the new instruction sheet to each owner/operator.

⚠ WARNING

Always remove front track spacers when re-installing wheels on vehicles.

WARRANTY

Submit a warranty claim only for kits that were already sold and/or installed. No warranty claim will be accepted for parts that are still in your inventory.

In BOSSWeb, under the **Service** tab, select **Parts Claim**.

In **Parts Claim**:

- Fill **Repair Order Number**
- Select the **Product Line**: ATV
- Leave **Authorization Number** empty
- In **Part Type**, select **Over the counter**
- Enter the vehicle **Serial Number**
- Enter the accessory **Purchase Date**
- Enter the accessory **Failure Date**
- Enter the accessory **Repair Completion Date**
- In **Nature of Defect**, enter: "Apache 360 Mounting Kit Update (Warranty Bulletin 2012-3)"
- In **Trouble Part Number**, enter (P/N 715 000 937)
- In **System Code**, select 11
- In **Trouble Code**, select "W02, (accessories) after installation"
- Leave **Parts Required for Repair** empty
- In **Labor Only** use (P/N 715 001 700), enter, 0.6 Hour of labor.