

December 27th, 2011 Subject: **Alpine Flex Push Frame Installation Update** No. **2012-9**

YEAR	MODEL	MODEL NUMBER	SERIAL NUMBER
2012	Alpine flex push frame quick attach for Outlander and Renegade	715 001 467	All
		715 001 472	
		715 001 708	
		715 001 709	
	Alpine flex 60" plow	715 001 181	

The following are technical tips regarding the plow installation:

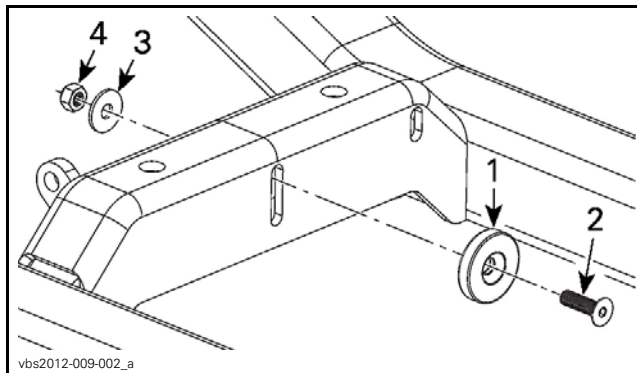
- To ease magnet installation and avoid damage when working on the following push frames: (P/N 715 001 467), (P/N 715 001 472), (P/N 715 001 708) or (P/N 715 001 709).
- To ease springs installation when working on the (P/N 715 001 181) and avoid damage.

PROCEDURES

Magnet Installation

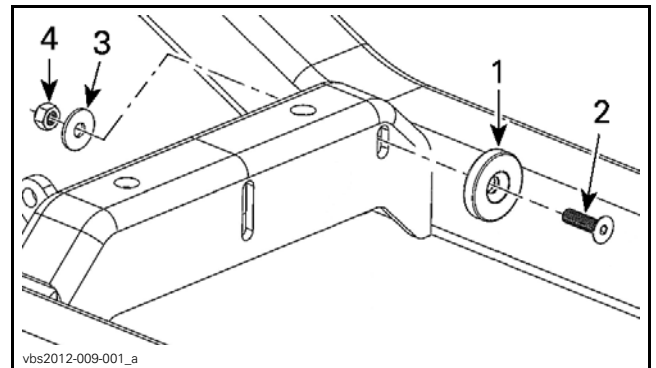
Carefully install the magnet at the highest point of the slot.

NOTICE Never hit or drop the magnet as it may break.



MODELS WITHOUT THE EXTREME BUMPER

1. Magnet
2. Screw
3. Washer
4. Elastic stop nut

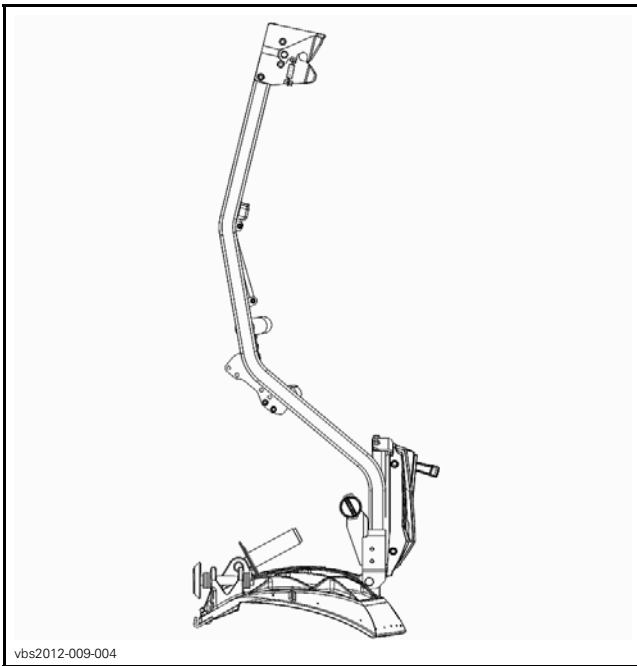


MODELS WITH THE EXTREME BUMPER

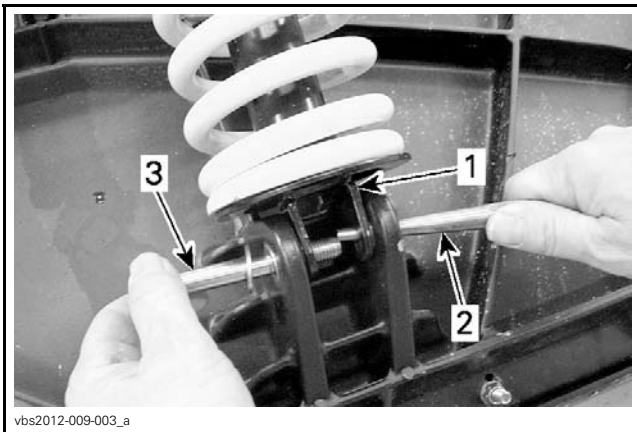
1. Magnet
2. Screw
3. Washer
4. Elastic stop nut

Coil Springs Installation

1. Place and support the plow assembly upright as shown.



2. Install the coil springs on the extension as explained in the instruction sheet.
3. When installing the lower coil spring mounts on the plow, align mounting holes using a center punch.



1. Lower mount
2. Center punch
3. Bolt

NOTICE Never hit the coil spring assembly to align it.

Plow Height Adjustment

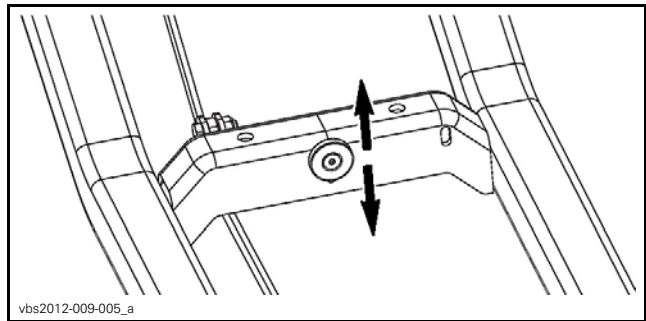
Before proceeding with the adjustment, make sure that:

- The push frame is correctly installed on the vehicle
- The winch cable is properly installed.

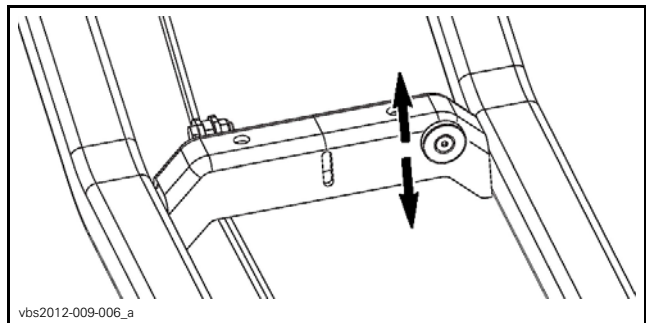
1. Using the winch, raise plow until it stops.

2. If plow does not stop at the desired height, adjust magnet as follows:

- 2.1 Loosen retaining bolt.
- 2.2 Carefully move magnet up or down by hand.
- 2.3 Lower, then raise plow until it stops.
- 2.4 Verify plow height.
- 2.5 When desired height is reached, tighten retaining bolt.



MODELS WITHOUT THE EXTREME BUMPER



MODELS WITH THE EXTREME BUMPER

TIGHTENING TORQUE

Magnet retaining bolt	8 N•m (71 lbf•in)
-----------------------	-------------------

NOTICE Never hit the magnet to move it.

NOTICE Make sure the push frame does not lean on the vehicle chassis.