
2007 ATV WIRING DIAGRAMS

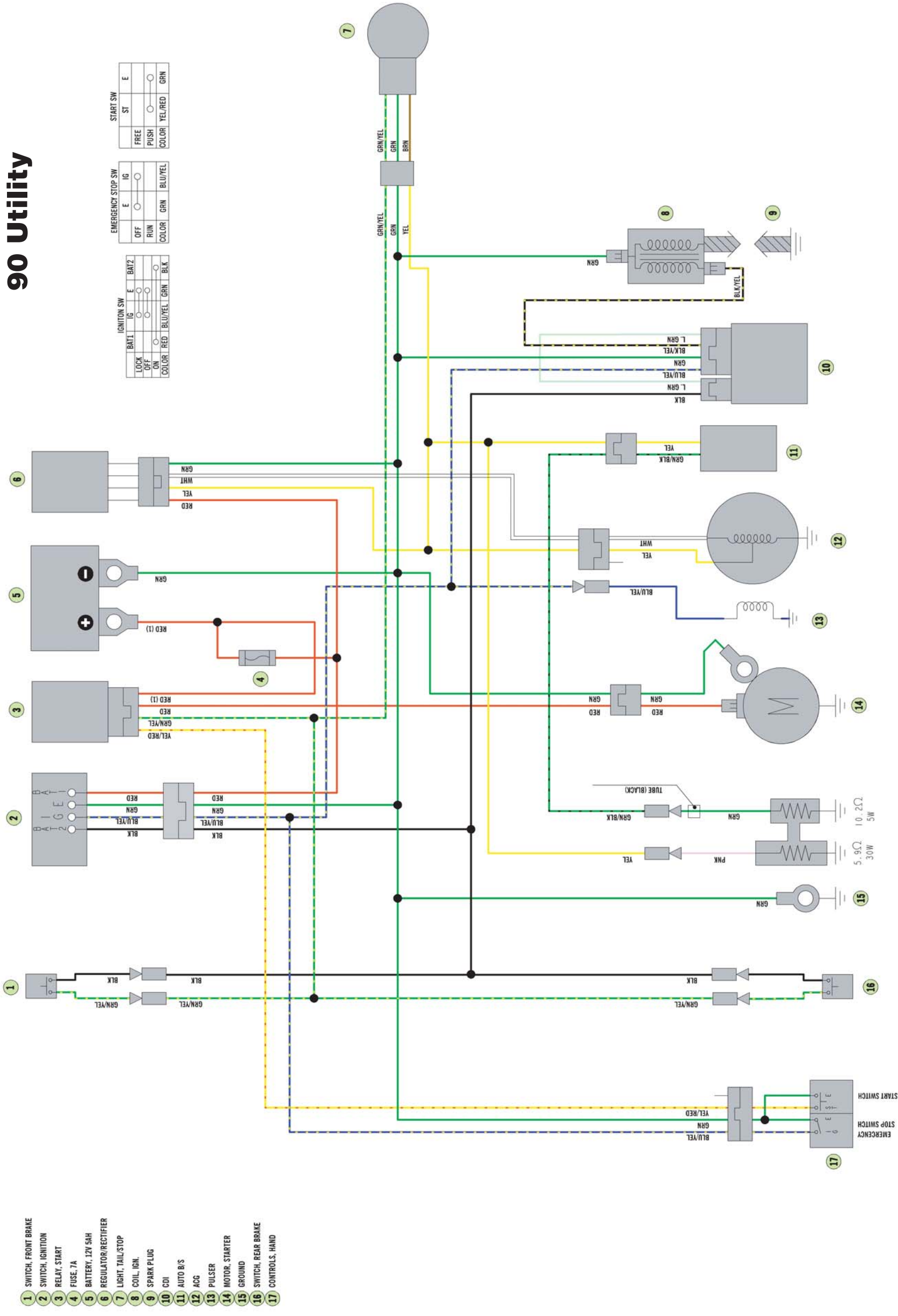
The wiring diagrams are located in this chart in the following sequence:

<u>Page</u>		<u>Page</u>	
1.....	90 DVX	7.....	500 Manual
1.....	90 Utility	8.....	500 Auto
2.....	250 DVX	9.....	650 H1 LE/TBX/TRV
3.....	250 Utility	10.....	700 EFI
4.....	400 FIS Manual	11.....	Prowler
5.....	400 FIS Auto/LE	12.....	Prowler XT
6.....	400 TRV	13.....	700 Diesel

ARCTIC CAT[®]

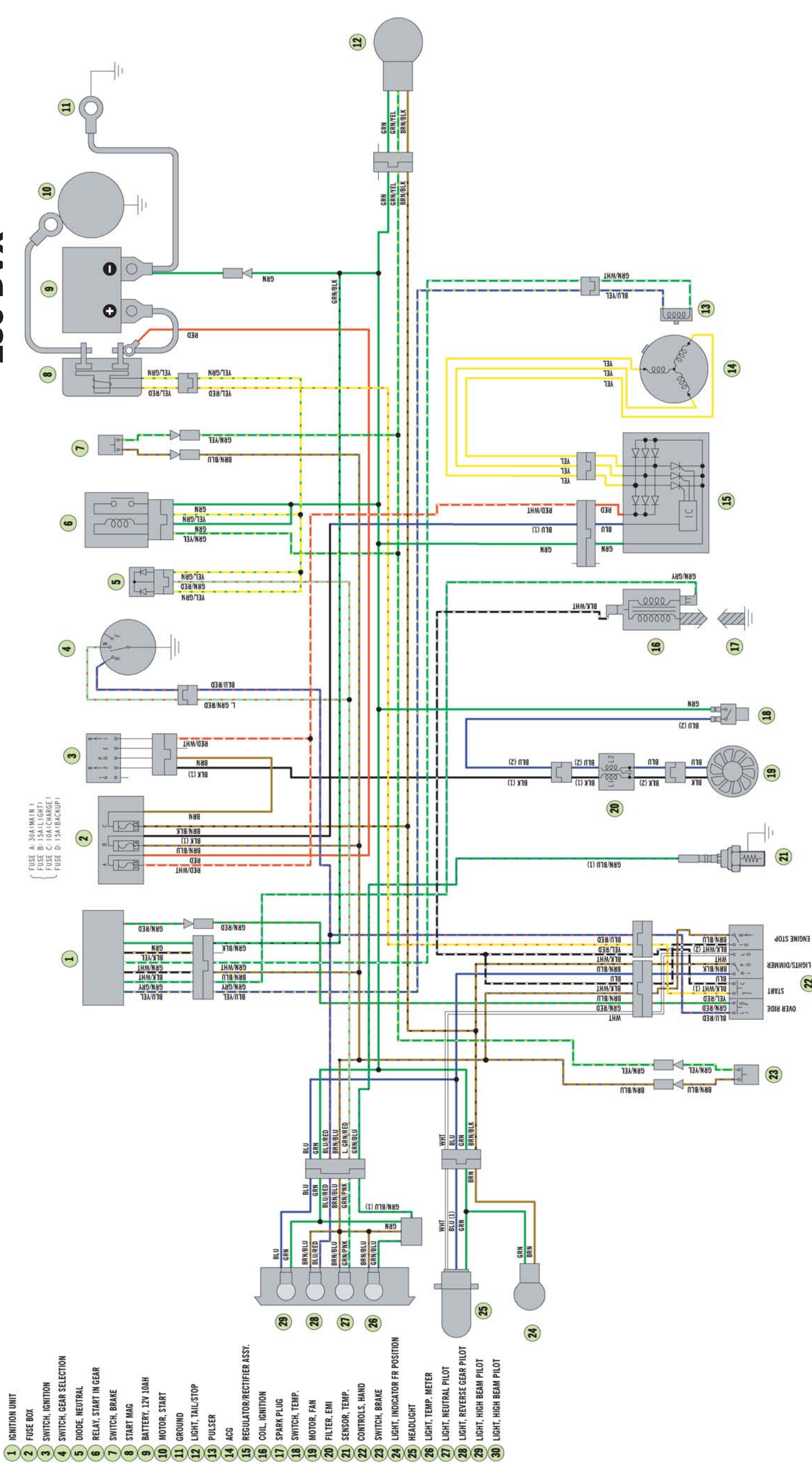
Wiring Diagram Harness (p/n 3303-419)

90 DVX 90 Utility



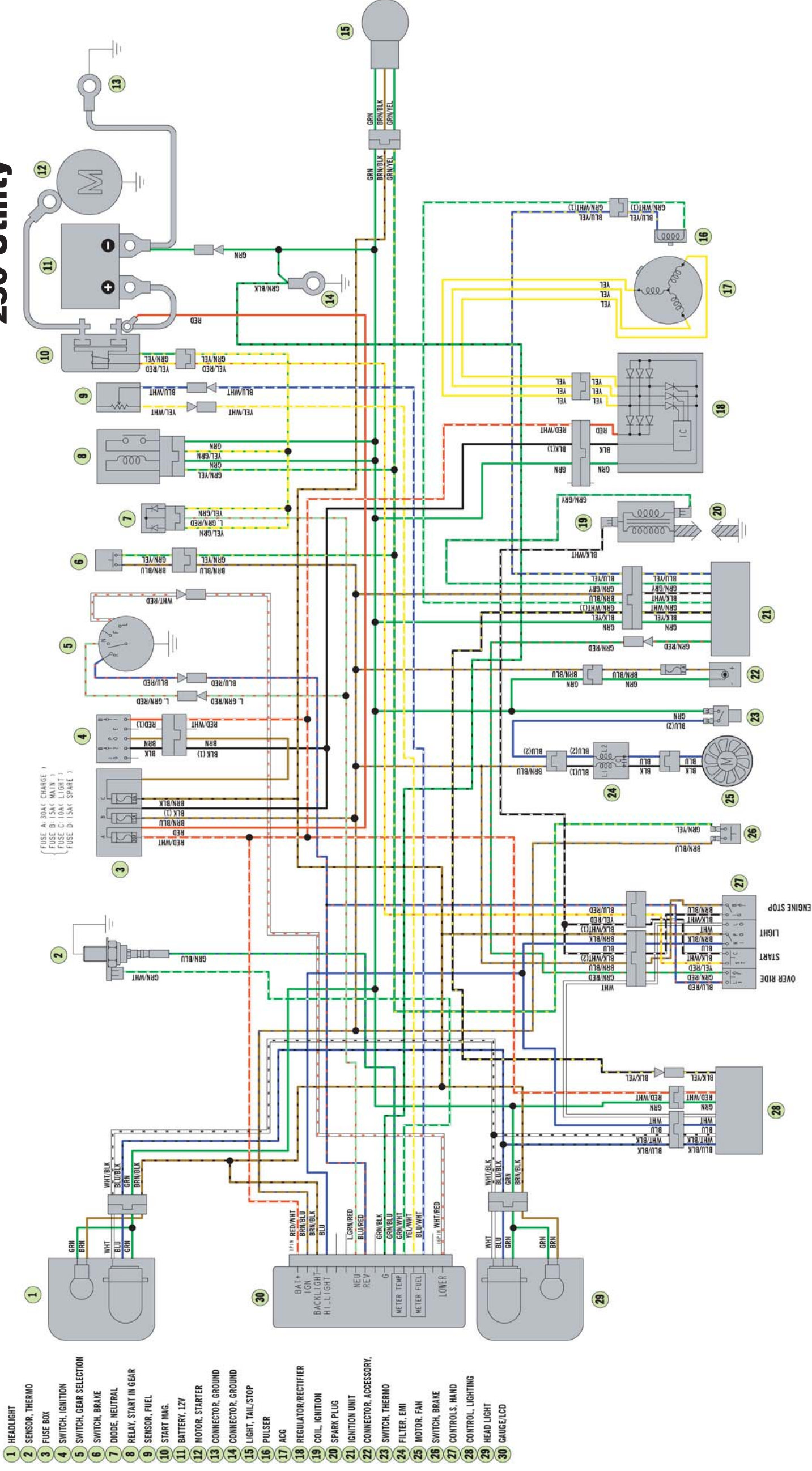
Wiring Diagram Harness (p/n 3304-276)

250 DVX



SWITCH, ENGINE STOP

Wiring Diagram Harness (p/n 3303-838) 250 Utility

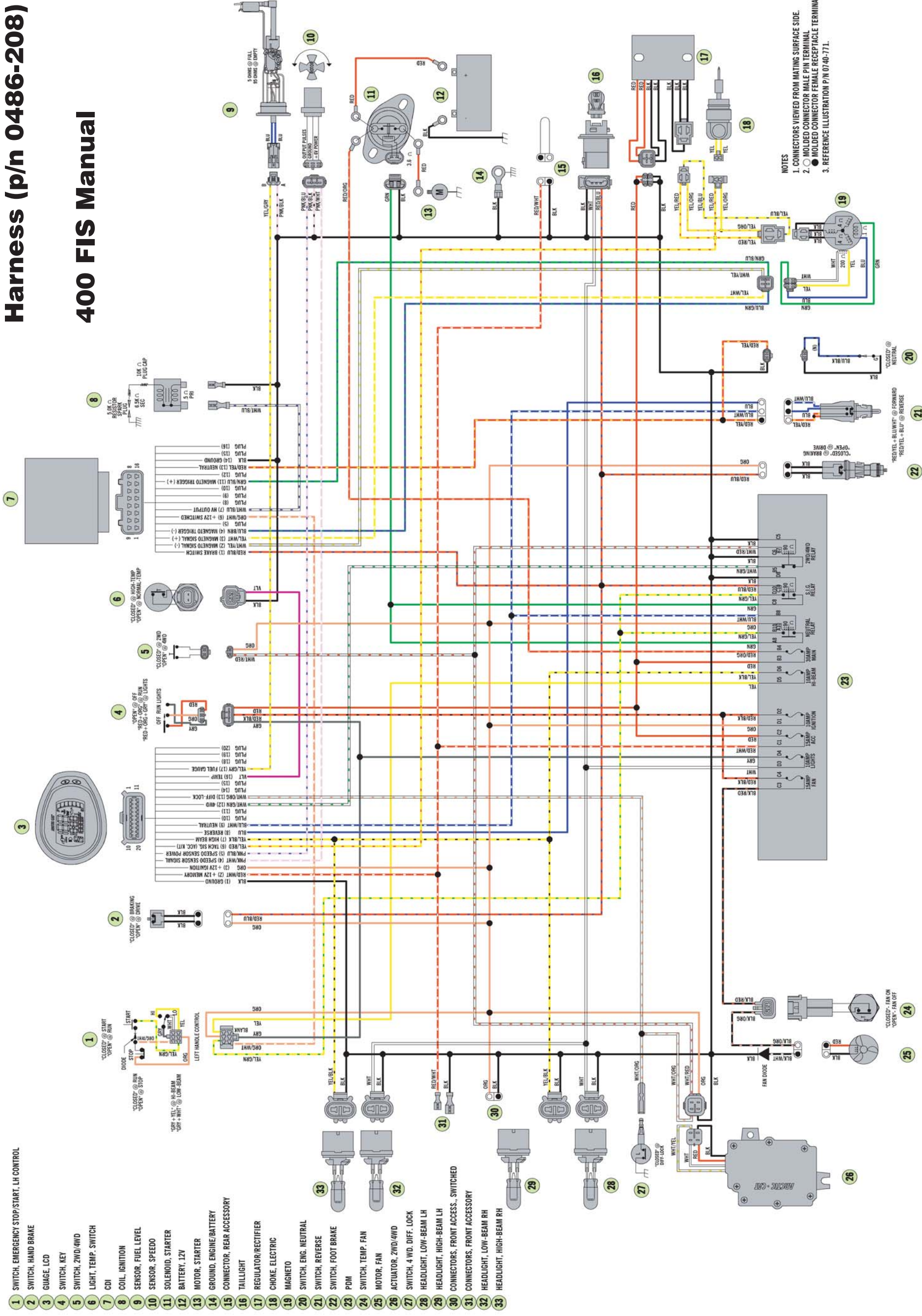


- 1 HEADLIGHT
- 2 SENSOR, THERMO
- 3 FUSE BOX
- 4 SWITCH, IGNITION
- 5 SWITCH, GEAR SELECTION
- 6 SWITCH, BRAKE
- 7 DIODE, NEUTRAL
- 8 RELAY, START IN GEAR
- 9 SENSOR, FUEL
- 10 START MAG.
- 11 BATTERY, 12V
- 12 MOTOR, STARTER
- 13 CONNECTOR, GROUND
- 14 CONNECTOR, GROUND
- 15 LIGHT, TAIL/STOP
- 16 PULSER
- 17 ACQ
- 18 REGULATOR/RECTIFIER
- 19 COIL, IGNITION
- 20 SPARK PLUG
- 21 IGNITION UNIT
- 22 CONNECTOR, ACCESSORY,
- 23 SWITCH, THERMO
- 24 FILTER, EMI
- 25 MOTOR, FAN
- 26 SWITCH, BRAKE
- 27 CONTROLS, HAND
- 28 CONTROL, LIGHTING
- 29 HEAD LIGHT
- 30 GAUGE/LCD

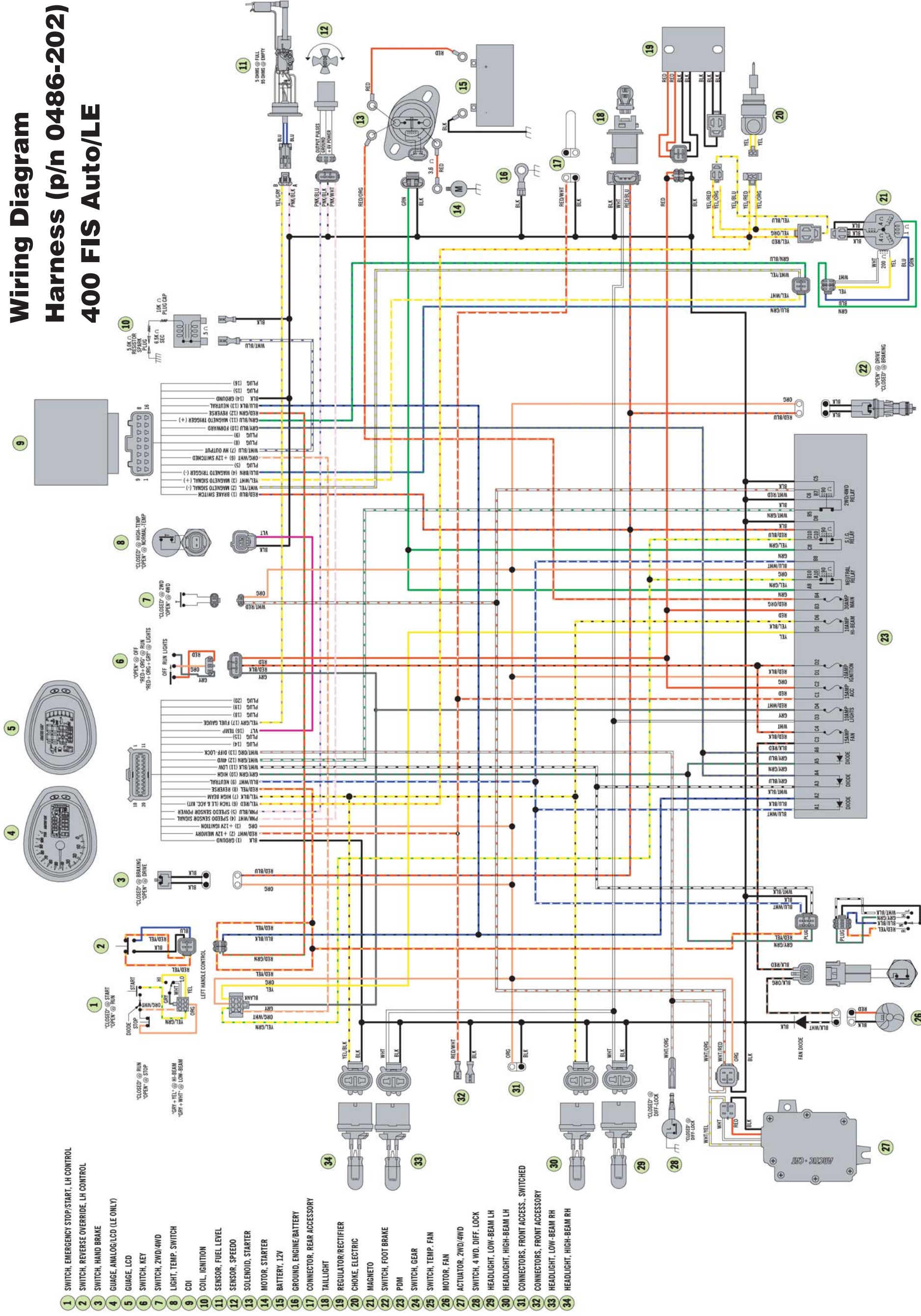
OVER RIDE SW		START SW		LIGHTS/DIMMER SW			EMERGENCY STOP SW			IGNITION SW								
FREE	PUSH	FREE	PUSH	PO	LO	HI	BAT	IG	E	BAT1	BAT2	PO	OFF	ON	PO	OFF	ON	PO
BLU/RED	GRN/RED	GRN	YEL/RED	BLK/BRN/BLK	WHT	BLU	COLOR	BRN/BLU	BLK/WHT	GRN	RED	BLK	BLK/WHT	GRN	RED	BLK	BLK	BRN

Wiring Diagram Harness (p/n 0486-208)

400 FIS Manual



Wiring Diagram Harness (p/n 0486-202) 400 FIS Auto/LE



- 1 SWITCH, EMERGENCY STOP/START, LH CONTROL
- 2 SWITCH, REVERSE OVERRIDE, LH CONTROL
- 3 SWITCH, HAND BRAKE
- 4 GAUGE, ANALOG/LCD (LE ONLY)
- 5 GAUGE, LCD
- 6 SWITCH, KEY
- 7 SWITCH, 2WD/4WD
- 8 LIGHT, TEMP. SWITCH
- 9 CDI
- 10 COIL, IGNITION
- 11 SENSOR, FUEL LEVEL
- 12 SENSOR, SPEEDO
- 13 SOLENOID, STARTER
- 14 MOTOR, STARTER
- 15 BATTERY, 12V
- 16 GROUND, ENGINE/BATTERY
- 17 CONNECTOR, REAR ACCESSORY
- 18 TAILLIGHT
- 19 REGULATOR/RECTIFIER
- 20 CHOKE, ELECTRIC
- 21 MAGNETO
- 22 SWITCH, FOOT BRAKE
- 23 PDM
- 24 SWITCH, GEAR
- 25 SWITCH, TEMP. FAN
- 26 MOTOR, FAN
- 27 ACTUATOR, 2WD/4WD
- 28 SWITCH, 4 WD. DIFF. LOCK
- 29 HEADLIGHT, LOW-BEAM LH
- 30 HEADLIGHT, HIGH-BEAM LH
- 31 CONNECTORS, FRONT ACCESS., SWITCHED
- 32 CONNECTORS, FRONT ACCESSORY
- 33 HEADLIGHT, LOW-BEAM RH
- 34 HEADLIGHT, HIGH-BEAM RH



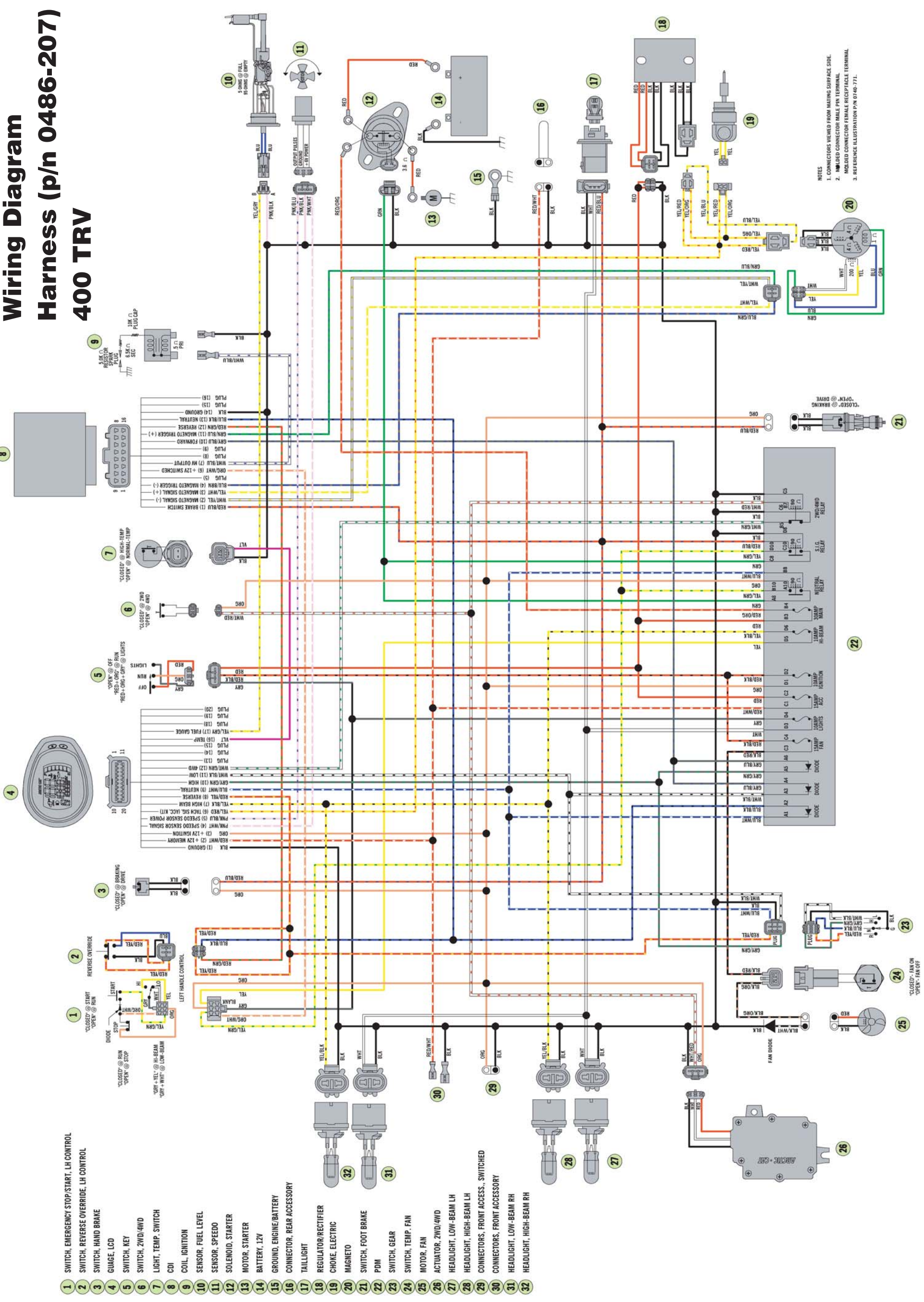
- NOTES
- 1. CONNECTORS VIEWED FROM MATING SURFACE SIDE.
 - 2. ● MOLDED CONNECTOR MALE PIN TERMINAL ○ MOLDED CONNECTOR FEMALE RECEPTACLE TERMINAL

0741-742

Wiring Diagram

Harness (p/n 0486-207)

400 TRV



- 1 SWITCH, EMERGENCY STOP/START, LH CONTROL
- 2 SWITCH, REVERSE OVERRIDE, LH CONTROL
- 3 SWITCH, HAND BRAKE
- 4 GAUGE, LCD
- 5 SWITCH, KEY
- 6 SWITCH, 2WD/4WD
- 7 LIGHT, TEMP. SWITCH
- 8 CDI
- 9 COIL, IGNITION
- 10 SENSOR, FUEL LEVEL
- 11 SENSOR, SPEEDO
- 12 SOLENOID, STARTER
- 13 MOTOR, STARTER
- 14 BATTERY, 12V
- 15 GROUND, ENGINE BATTERY
- 16 CONNECTOR, REAR ACCESSORY
- 17 TAILLIGHT
- 18 REGULATOR/RECTIFIER
- 19 CHOKE, ELECTRIC
- 20 MAGNETO
- 21 SWITCH, FOOT BRAKE
- 22 PDM
- 23 SWITCH, GEAR
- 24 SWITCH, TEMP. FAN
- 25 MOTOR, FAN
- 26 ACTUATOR, 2WD/4WD
- 27 HEADLIGHT, LOW-BEAM LH
- 28 HEADLIGHT, HIGH-BEAM LH
- 29 CONNECTORS, FRONT ACCESS., SWITCHED
- 30 CONNECTORS, FRONT ACCESSORY
- 31 HEADLIGHT, LOW-BEAM RH
- 32 HEADLIGHT, HIGH-BEAM RH

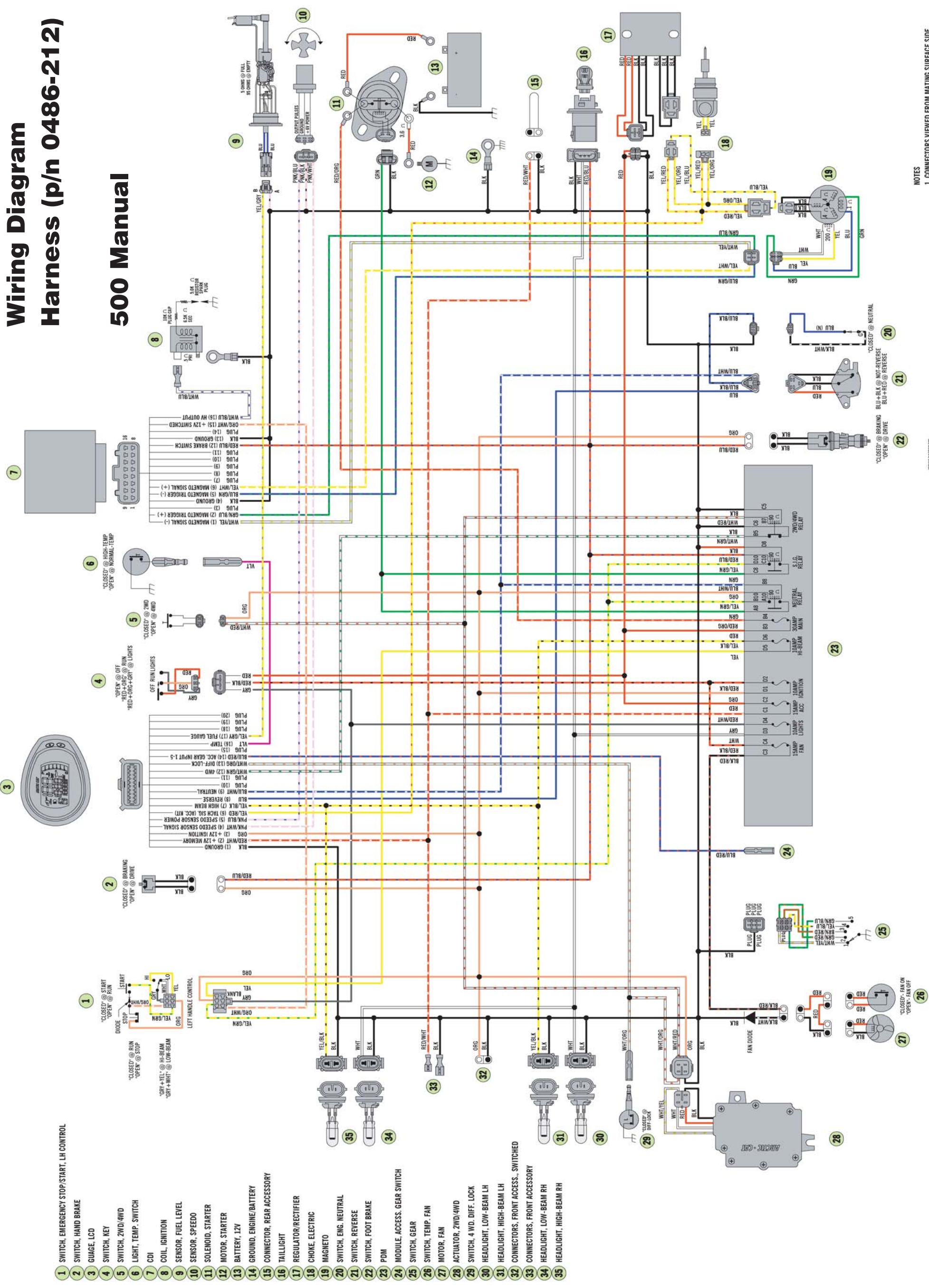
- 10 5 OHM TELL. 50 OHMS @ EMPTY
- 11 5 KΩ C. RESISTOR PLUG
- 12 5 KΩ C. RESISTOR PLUG
- 13 5 KΩ C. RESISTOR PLUG
- 14 5 KΩ C. RESISTOR PLUG
- 15 5 KΩ C. RESISTOR PLUG
- 16 5 KΩ C. RESISTOR PLUG
- 17 5 KΩ C. RESISTOR PLUG
- 18 5 KΩ C. RESISTOR PLUG
- 19 5 KΩ C. RESISTOR PLUG
- 20 5 KΩ C. RESISTOR PLUG
- 21 5 KΩ C. RESISTOR PLUG
- 22 5 KΩ C. RESISTOR PLUG
- 23 5 KΩ C. RESISTOR PLUG
- 24 5 KΩ C. RESISTOR PLUG
- 25 5 KΩ C. RESISTOR PLUG
- 26 5 KΩ C. RESISTOR PLUG
- 27 5 KΩ C. RESISTOR PLUG
- 28 5 KΩ C. RESISTOR PLUG
- 29 5 KΩ C. RESISTOR PLUG
- 30 5 KΩ C. RESISTOR PLUG
- 31 5 KΩ C. RESISTOR PLUG
- 32 5 KΩ C. RESISTOR PLUG

- 1 RED/BLU (1) GROUND
- 2 RED/WHI (2) + 12V MEMORY
- 3 ORG (3) + 12V IGNITION
- 4 PINK/WHI (4) SPEEDO SENSOR SIGNAL
- 5 PINK/BLU (5) SPEEDO SENSOR POWER
- 6 TEL/BLK (6) HIGH BEAM
- 7 TEL/RED (7) HIGH BEAM
- 8 RED/BLK (8) REVERSE
- 9 GRN/WHI (9) REVERSE
- 10 GRN/BLU (10) FORWARD
- 11 PUNG (11) FORWARD
- 12 PUNG (12) REVERSE
- 13 BLK/BLK (13) NEUTRAL
- 14 BLK (14) GROUND
- 15 PUNG (15)
- 16 PUNG (16)
- 17 RED/BLU (17) HV OUTPUT
- 18 ORG/WHI (18) + 12V SWITCHED
- 19 WHI/BLU (19) MAGNETO TRIGGER (-)
- 20 WHI/WHI (20) MAGNETO TRIGGER (+)
- 21 WHI/WHI (21) MAGNETO TRIGGER (-)
- 22 WHI/WHI (22) MAGNETO TRIGGER (+)
- 23 PUNG (23)
- 24 WHI/WHI (24) HV OUTPUT
- 25 WHI/WHI (25) FORWARD
- 26 GRN/BLU (26) REVERSE
- 27 RED/WHI (27) REVERSE
- 28 BLK/BLK (28) NEUTRAL
- 29 BLK (29) GROUND
- 30 PUNG (30)
- 31 PUNG (31)
- 32 PUNG (32)

NOTES
 1. CONNECTORS VIEWED FROM MATING SURFACE SIDE
 2. MOLDDED CONNECTOR MALE PIN TERMINAL
 3. REFERENCE ILLUSTRATION P/N 0740-771.

Wiring Diagram Harness (p/n 0486-212)

500 Manual

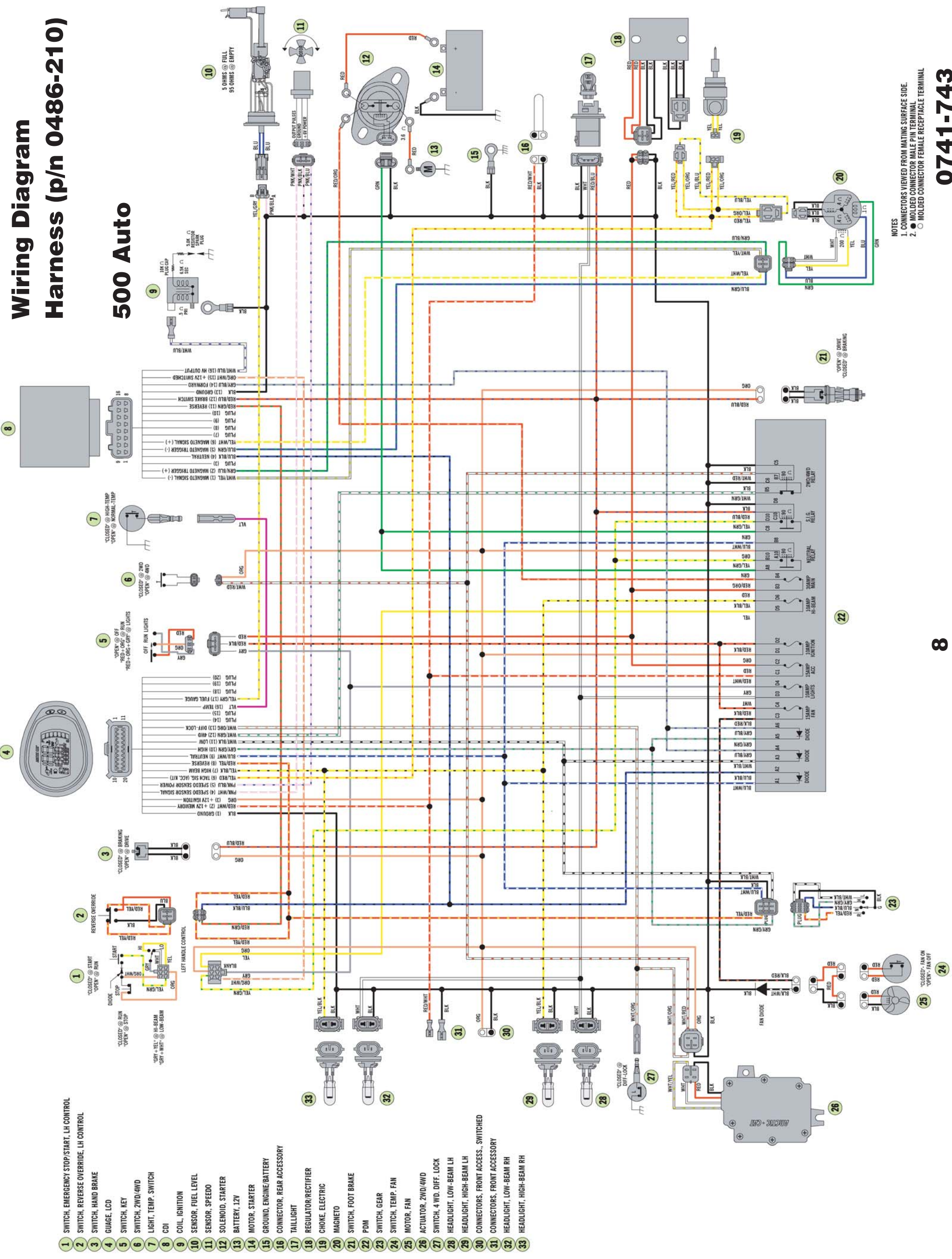


- 1 SWITCH, EMERGENCY STOP/START, LH CONTROL
- 2 SWITCH, HAND BRAKE
- 3 GAUGE, LCD
- 4 SWITCH, KEY
- 5 SWITCH, 2WD/4WD
- 6 LIGHT, TEMP. SWITCH
- 7 CDI
- 8 COIL, IGNITION
- 9 SENSOR, FUEL LEVEL
- 10 SENSOR, SPEED
- 11 SOLENOID, STARTER
- 12 MOTOR, STARTER
- 13 BATTERY, 12V
- 14 GROUND, ENGINE/BATTERY
- 15 CONNECTOR, REAR ACCESSORY
- 16 TAILLIGHT
- 17 REGULATOR/RECTIFIER
- 18 CHOKE, ELECTRIC
- 19 MAGNETO
- 20 SWITCH, ENG. NEUTRAL
- 21 SWITCH, REVERSE
- 22 SWITCH, FOOT BRAKE
- 23 PDM
- 24 MODULE, ACCESS. GEAR SWITCH
- 25 SWITCH, GEAR
- 26 SWITCH, TEMP. FAN
- 27 MOTOR, FAN
- 28 ACTUATOR, 2WD/4WD
- 29 SWITCH, 4 WD. DIFF. LOCK
- 30 HEADLIGHT, LOW-BEAM LH
- 31 HEADLIGHT, HIGH-BEAM LH
- 32 CONNECTORS, FRONT ACCESS., SWITCHED
- 33 CONNECTORS, FRONT ACCESSORY
- 34 HEADLIGHT, LOW-BEAM RH
- 35 HEADLIGHT, HIGH-BEAM RH

- NOTES
1. CONNECTORS VIEWED FROM MATING SURFACE SIDE.
 2. ● MOLDED CONNECTOR MALE PIN TERMINAL
 - MOLDED CONNECTOR FEMALE RECEPTACLE TERMINAL

Wiring Diagram Harness (p/n 0486-210)

500 Auto

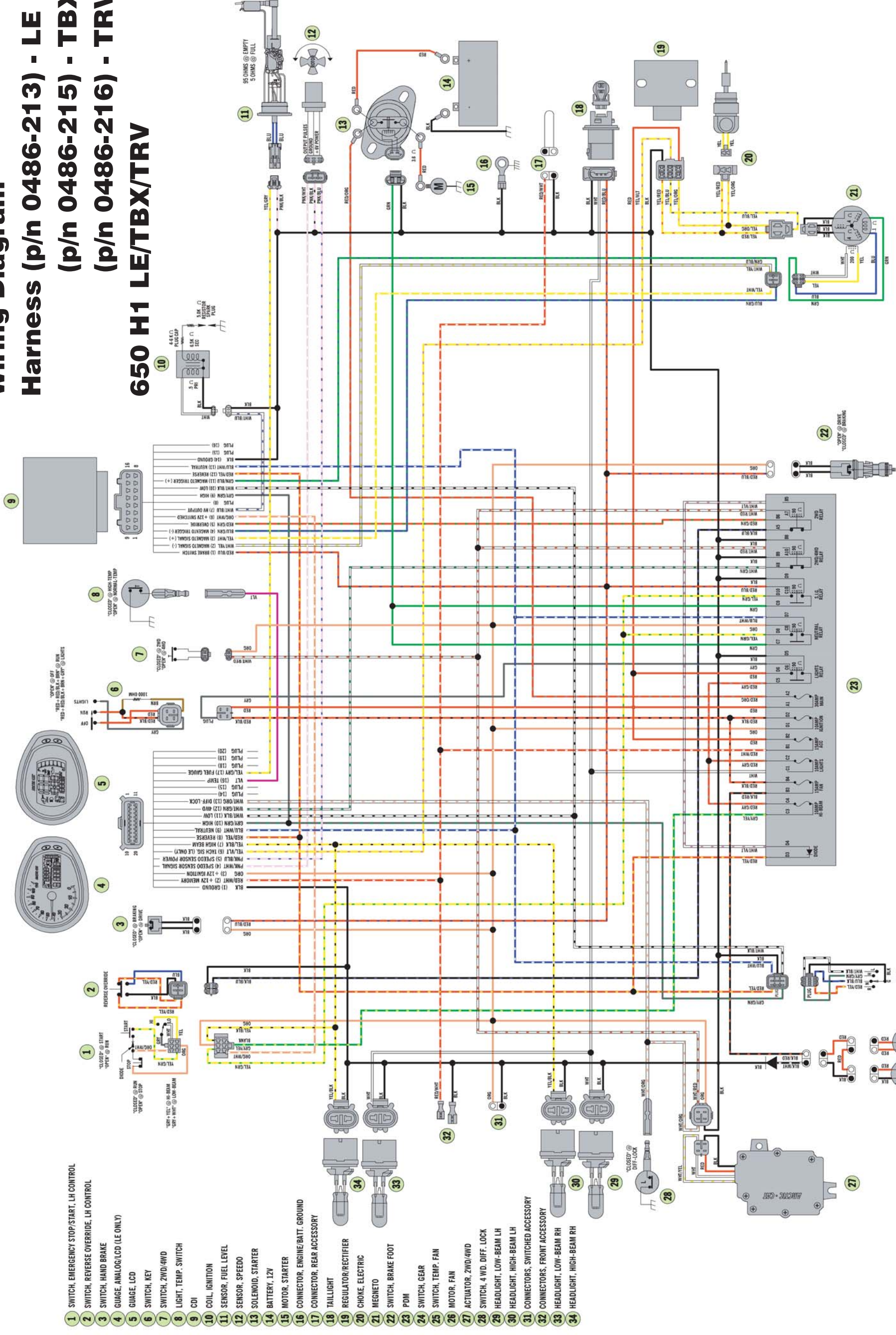


- 1 SWITCH, EMERGENCY STOP/START, LH CONTROL
- 2 SWITCH, REVERSE OVERRIDE, LH CONTROL
- 3 SWITCH, HAND BRAKE
- 4 GAUGE, LCD
- 5 SWITCH, KEY
- 6 SWITCH, 2WD/4WD
- 7 LIGHT, TEMP. SWITCH
- 8 CDI
- 9 COIL, IGNITION
- 10 SENSOR, FUEL LEVEL
- 11 SENSOR, SPEED
- 12 SOLENOID, STARTER
- 13 BATTERY, 12V
- 14 MOTOR, STARTER
- 15 GROUND, ENGINE/BATTERY
- 16 CONNECTOR, REAR ACCESSORY
- 17 TAILLIGHT
- 18 REGULATOR/RECTIFIER
- 19 CHOKE, ELECTRIC
- 20 MAGNETO
- 21 SWITCH, FOOT BRAKE
- 22 PDM
- 23 SWITCH, GEAR
- 24 SWITCH, TEMP. FAN
- 25 MOTOR, FAN
- 26 ACTUATOR, 2WD/4WD
- 27 SWITCH, 4 WD. DIFF. LOCK
- 28 HEADLIGHT, LOW-BEAM LH
- 29 HEADLIGHT, HIGH-BEAM LH
- 30 CONNECTORS, FRONT ACCESS., SWITCHED
- 31 CONNECTORS, FRONT ACCESSORY
- 32 HEADLIGHT, LOW-BEAM RH
- 33 HEADLIGHT, HIGH-BEAM RH

- NOTES
1. CONNECTORS VIEWED FROM MATING SURFACE SIDE.
 2. ● MOLDED CONNECTOR MALE PIN TERMINAL
 - MOLDED CONNECTOR FEMALE RECEPTACLE TERMINAL

Wiring Diagram

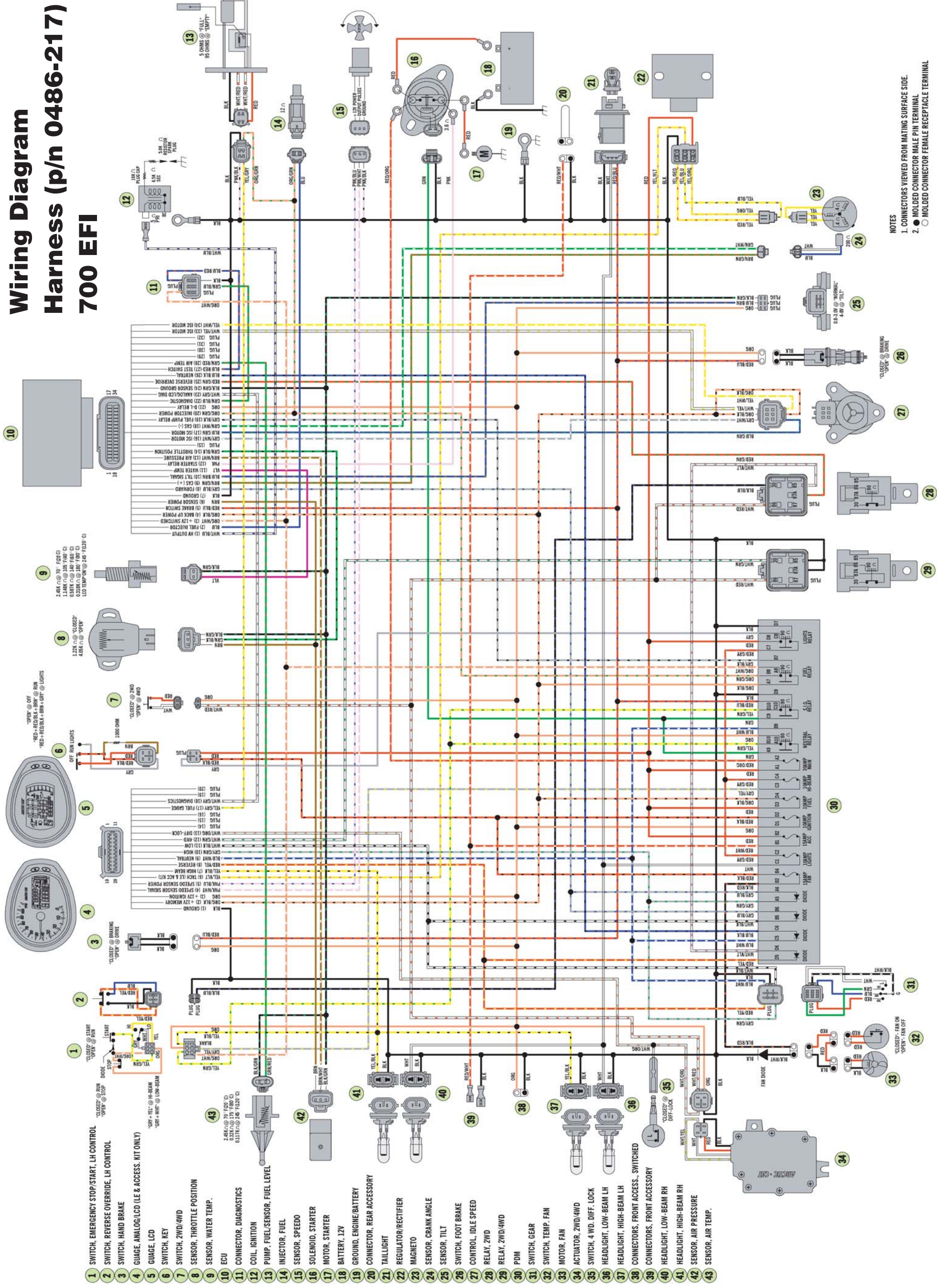
Harness (p/n 0486-213) - LE (p/n 0486-215) - TBX (p/n 0486-216) - TRV 650 H1 LE/TBX/TRV



- 1 SWITCH, EMERGENCY STOP/START, LH CONTROL
- 2 SWITCH, REVERSE OVERRIDE, LH CONTROL
- 3 SWITCH, HAND BRAKE
- 4 GAUGE, ANALOG/LCD (LE ONLY)
- 5 GAUGE, LCD
- 6 SWITCH, KEY
- 7 SWITCH, 2WD/4WD
- 8 LIGHT, TEMP. SWITCH
- 9 CDI
- 10 COIL, IGNITION
- 11 SENSOR, FUEL LEVEL
- 12 SENSOR, SPEEDO
- 13 SOLENOID, STARTER
- 14 BATTERY, 12V
- 15 MOTOR, STARTER
- 16 CONNECTOR, ENGINE/BATT. GROUND
- 17 CONNECTOR, REAR ACCESSORY
- 18 TAILLIGHT
- 19 REGULATOR/RECTIFIER
- 20 CHOKE, ELECTRIC
- 21 MEGNETO
- 22 SWITCH, BRAKE FOOT
- 23 PDM
- 24 SWITCH, GEAR
- 25 SWITCH, TEMP. FAN
- 26 MOTOR, FAN
- 27 ACTUATOR, 2WD/4WD
- 28 SWITCH, 4 WD. DIFF. LOCK
- 29 HEADLIGHT, LOW-BEAM LH
- 30 HEADLIGHT, HIGH-BEAM LH
- 31 CONNECTORS, SWITCHED ACCESSORY
- 32 CONNECTORS, FRONT ACCESSORY
- 33 HEADLIGHT, LOW-BEAM RH
- 34 HEADLIGHT, HIGH-BEAM RH

- NOTES
- 1. CONNECTORS VIEWED FROM MATING SURFACE SIDE
 - 2. ● MOLDED CONNECTOR MALE PIN TERMINAL
○ MOLDED CONNECTOR FEMALE RECEPTACLE TERMINAL

Wiring Diagram Harness (p/n 0486-217) 700 EFI



- 1 SWITCH, EMERGENCY STOP/START, LH CONTROL
- 2 SWITCH, REVERSE OVERRIDE, LH CONTROL
- 3 SWITCH, HAND BRAKE
- 4 GAUGE, ANALOG/LCD (LE & ACCESS. KIT ONLY)
- 5 GAUGE, LCD
- 6 SWITCH, KEY
- 7 SWITCH, 2WD/4WD
- 8 SENSOR, THROTTLE POSITION
- 9 SENSOR, WATER TEMP.
- 10 ECU
- 11 CONNECTOR, DIAGNOSTICS
- 12 COIL, IGNITION
- 13 PUMP, FUEL/SENSOR, FUEL LEVEL
- 14 INJECTOR, FUEL
- 15 SENSOR, SPEEDO
- 16 SOLENOID, STARTER
- 17 MOTOR, STARTER
- 18 BATTERY, 12V
- 19 GROUND, ENGINE/BATTERY
- 20 CONNECTOR, REAR ACCESSORY
- 21 TAILLIGHT
- 22 REGULATOR/RECTIFIER
- 23 MAGNETO
- 24 SENSOR, CRANK ANGLE
- 25 SENSOR, TILT
- 26 SWITCH, FOOT BRAKE
- 27 CONTROL, IDLE SPEED
- 28 RELAY, 2WD
- 29 RELAY, 2WD/4WD
- 30 PDM
- 31 SWITCH, GEAR
- 32 SWITCH, TEMP. FAN
- 33 MOTOR, FAN
- 34 ACTUATOR, 2WD/4WD
- 35 SWITCH, 4 WD. DIFF. LOCK
- 36 HEADLIGHT, LOW-BEAM LH
- 37 HEADLIGHT, HIGH-BEAM LH
- 38 CONNECTORS, FRONT ACCESS., SWITCHED
- 39 CONNECTORS, FRONT ACCESSORY
- 40 HEADLIGHT, LOW-BEAM RH
- 41 HEADLIGHT, HIGH-BEAM RH
- 42 SENSOR, AIR PRESSURE
- 43 SENSOR, AIR TEMP.

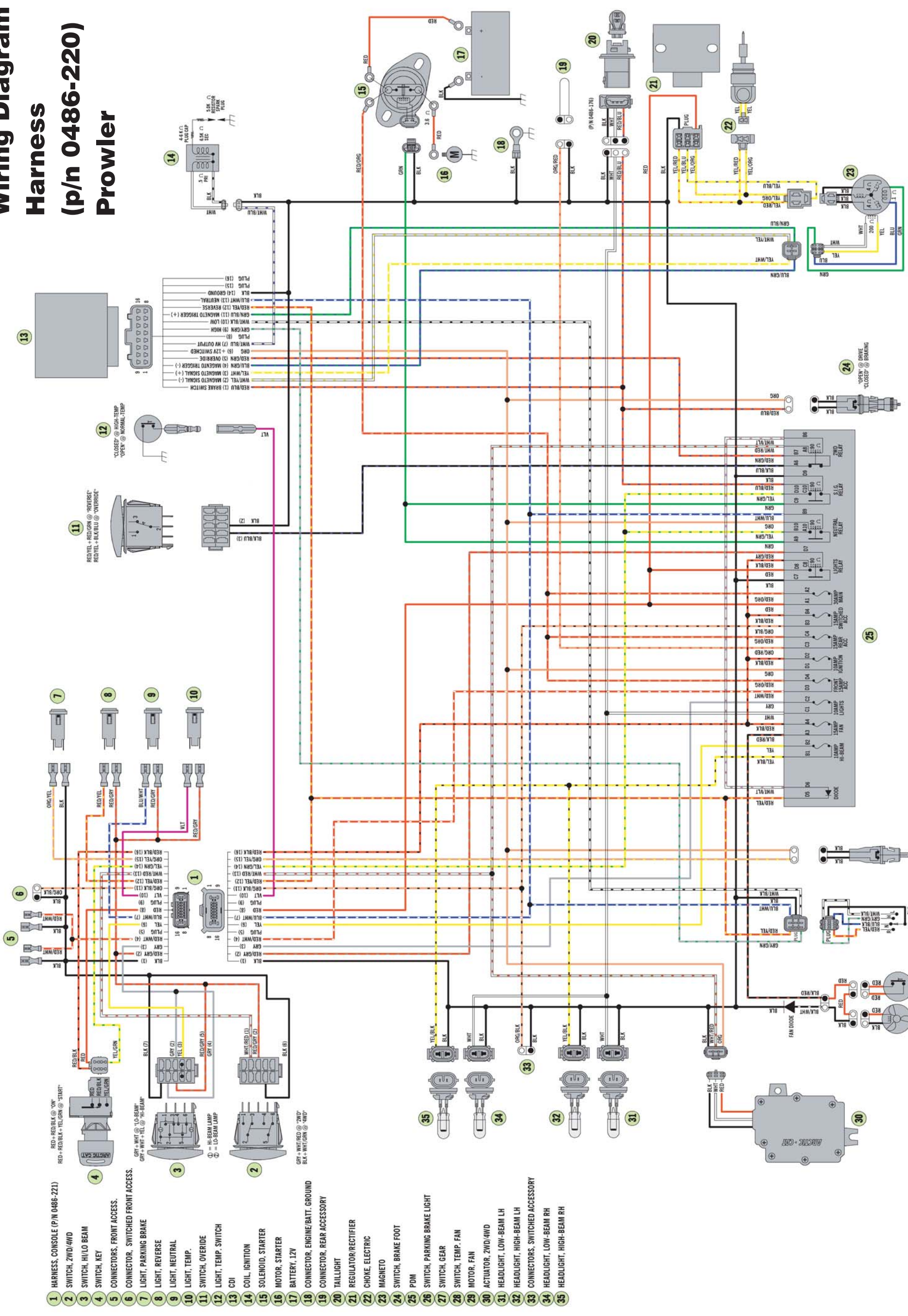
NOTES
 1. CONNECTORS VIEWED FROM MATING SURFACE SIDE.
 2. ● MOLDED CONNECTOR MALE PIN TERMINAL
 ○ MOLDED CONNECTOR FEMALE RECEPTACLE TERMINAL

Wiring Diagram

Harness

(p/n 0486-220)

Prowler



- 1 HARNESS, CONSOLE (P/N 0486-221)
- 2 SWITCH, 2WD/4WD
- 3 SWITCH, HI/LO BEAM
- 4 SWITCH, KEY
- 5 CONNECTORS, FRONT ACCESS.
- 6 CONNECTOR, SWITCHED FRONT ACCESS.
- 7 LIGHT, PARKING BRAKE
- 8 LIGHT, REVERSE
- 9 LIGHT, NEUTRAL
- 10 LIGHT, TEMP.
- 11 SWITCH, OVERRIDE
- 12 LIGHT, TEMP. SWITCH
- 13 CDI
- 14 COIL, IGNITION
- 15 SOLENOID, STARTER
- 16 MOTOR, STARTER
- 17 BATTERY, 12V
- 18 CONNECTOR, ENGINE/BATT. GROUND
- 19 CONNECTOR, REAR ACCESSORY
- 20 TAILLIGHT
- 21 REGULATOR/RECTIFIER
- 22 CHOKER, ELECTRIC
- 23 MAGNETO
- 24 SWITCH, BRAKE FOOT
- 25 PDM
- 26 SWITCH, PARKING BRAKE LIGHT
- 27 SWITCH, GEAR
- 28 SWITCH, TEMP. FAN
- 29 MOTOR, FAN
- 30 ACTUATOR, 2WD/4WD
- 31 HEADLIGHT, LOW-BEAM LH
- 32 HEADLIGHT, HIGH-BEAM LH
- 33 CONNECTORS, SWITCHED ACCESSORY
- 34 HEADLIGHT, LOW-BEAM RH
- 35 HEADLIGHT, HIGH-BEAM RH

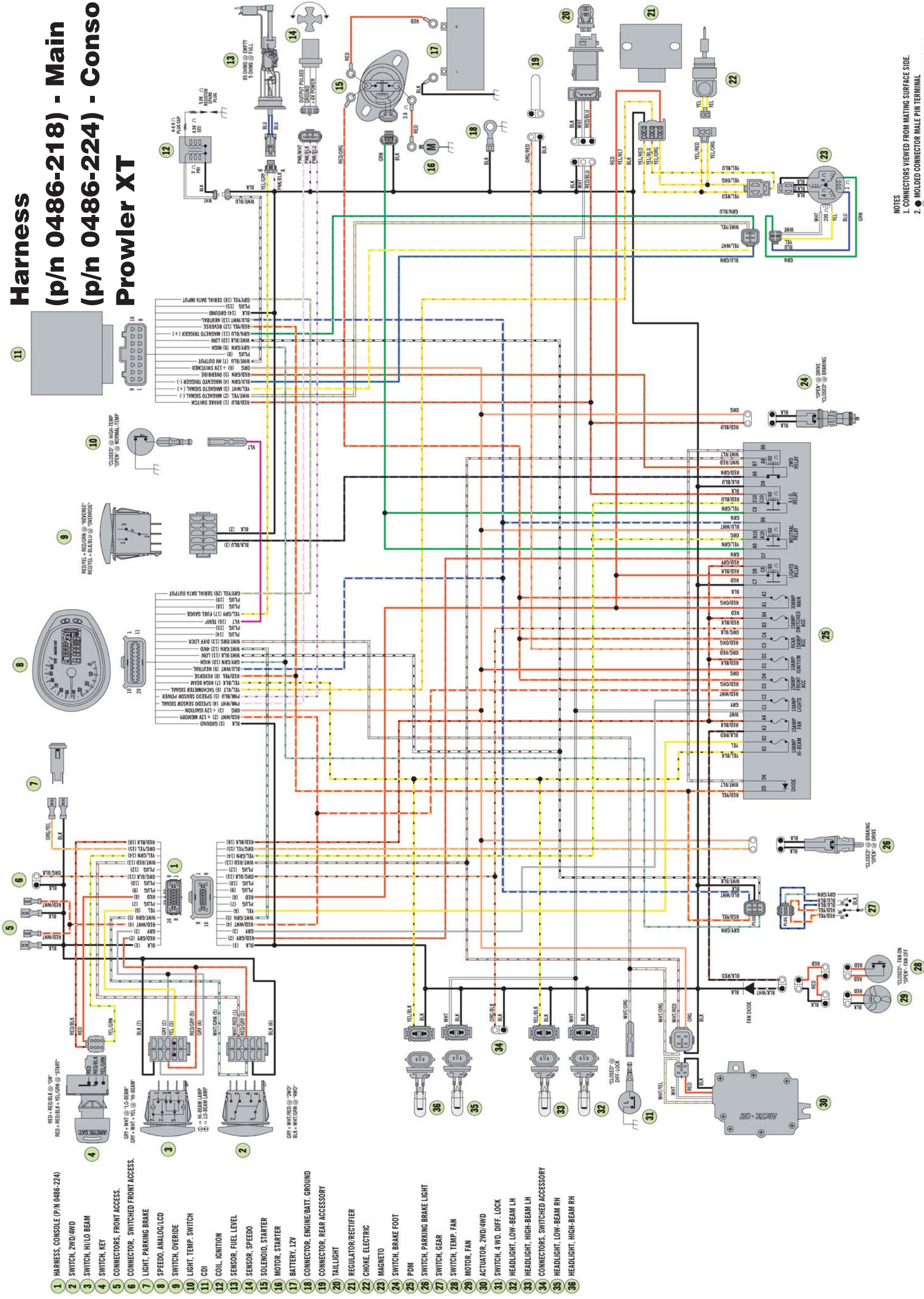
NOTES
 1. CONNECTORS VIEWED FROM MATING SURFACE SIDE.
 2. ● MOLDED CONNECTOR MALE PIN TERMINAL
 ○ MOLDED CONNECTOR FEMALE RECEPTACLE TERMINAL

Wiring Diagram

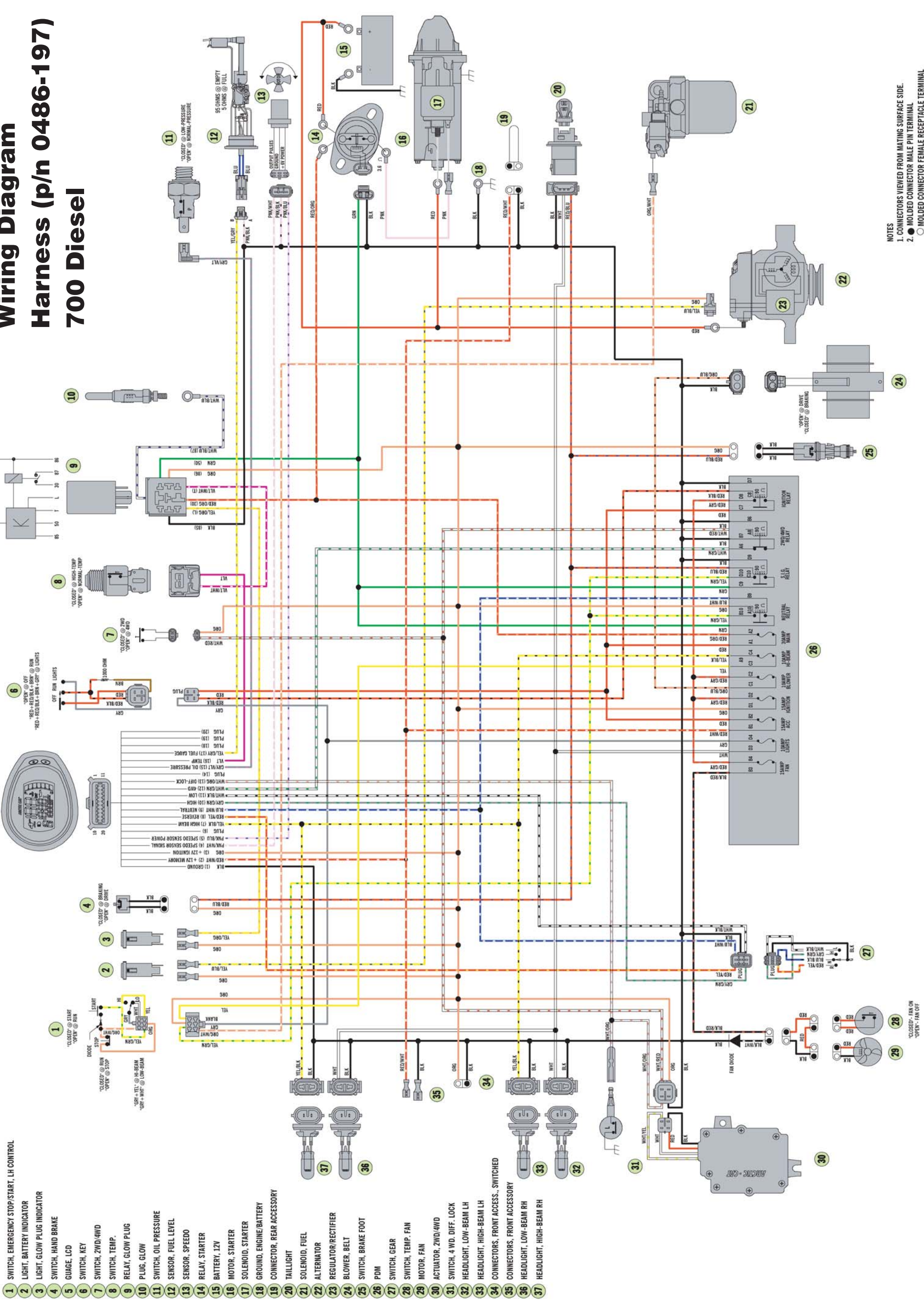
Harness

(p/n 0486-218) - Main (p/n 0486-224) - Console

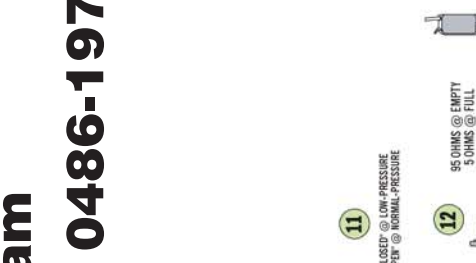
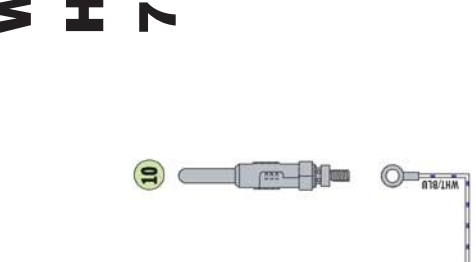
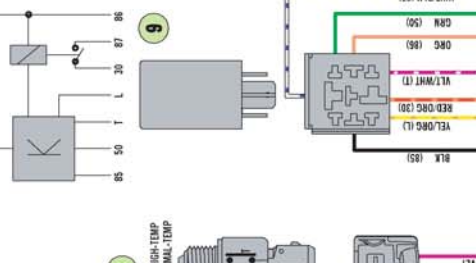
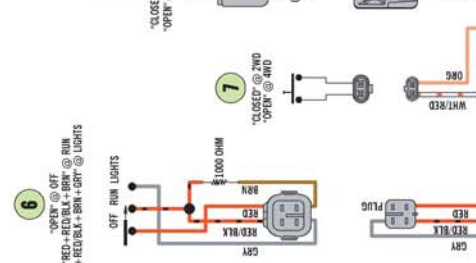
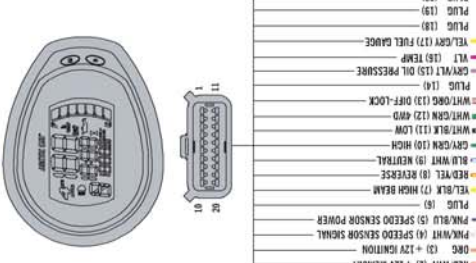
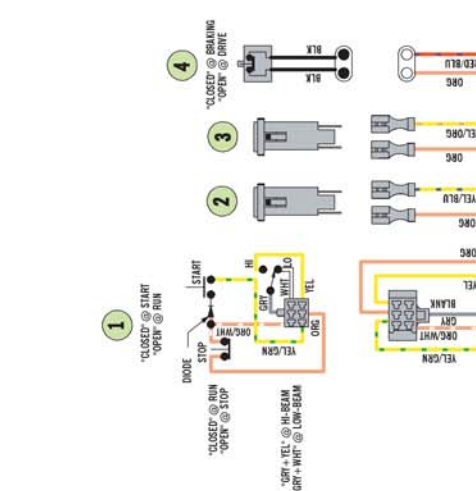
Prowler XT



Wiring Diagram Harness (p/n 0486-197) 700 Diesel



- 1 SWITCH, EMERGENCY STOP/START, LH CONTROL
- 2 LIGHT, BATTERY INDICATOR
- 3 LIGHT, GLOW PLUG INDICATOR
- 4 SWITCH, HAND BRAKE
- 5 GAUGE, LCD
- 6 SWITCH, KEY
- 7 SWITCH, 2WD/4WD
- 8 SWITCH, TEMP.
- 9 RELAY, GLOW PLUG
- 10 PLUG, GLOW
- 11 SWITCH, OIL PRESSURE
- 12 SENSOR, FUEL LEVEL
- 13 SENSOR, SPEEDO
- 14 RELAY, STARTER
- 15 BATTERY, 12V
- 16 MOTOR, STARTER
- 17 SOLENOID, STARTER
- 18 GROUND, ENGINE/BATTERY
- 19 CONNECTOR, REAR ACCESSORY
- 20 TAILLIGHT
- 21 SOLENOID, FUEL
- 22 ALTERNATOR
- 23 REGULATOR/RECTIFIER
- 24 BLOWER, BELT
- 25 SWITCH, BRAKE FOOT
- 26 PDM
- 27 SWITCH, GEAR
- 28 SWITCH, TEMP. FAN
- 29 MOTOR, FAN
- 30 ACTUATOR, 2WD/4WD
- 31 SWITCH, 4 WD. DIFF. LOCK
- 32 HEADLIGHT, LOW-BEAM LH
- 33 HEADLIGHT, HIGH-BEAM LH
- 34 CONNECTORS, FRONT ACCESS., SWITCHED
- 35 CONNECTORS, FRONT ACCESSORY
- 36 HEADLIGHT, LOW-BEAM RH
- 37 HEADLIGHT, HIGH-BEAM RH



NOTES
 1. CONNECTORS VIEWED FROM MATING SURFACE SIDE.
 2. ● MOLDED CONNECTOR MALE PIN TERMINAL
 ○ MOLDED CONNECTOR FEMALE RECEPTACLE TERMINAL